

Uninterruptible power supply - QUINT-UPS/ 24DC/ 24DC/ 5/1.3AH



2320254

<https://www.phoenixcontact.com/za/products/2320254>

Please be informed that the data shown in this PDF document is generated from our Online Catalog. Please find the complete data in the user documentation. Our General Terms of Use for Downloads are valid.



Uninterruptible energy supply with IQ technology and integrated energy storage for DIN rail mounting, input 24 V DC, output: 24 V DC / 5 A, energy storage: lead AGM 1.2 Ah, incl. mounted UTA 107/30 universal DIN rail adapter

Product Description

UPS modules with integrated energy storage are particularly space saving: UPS module and energy storage are combined in one housing. It's just a case of connecting a power supply upstream.

Your advantages

- Easy handling thanks to automatic battery detection, tool-free battery replacement during operation, and communication via the IFS interface
- Reliable starting of difficult loads with the static POWER BOOST power reserve with up to 1.5 times the nominal current permanently
- Fast tripping of standard circuit breakers with SFB (selective fuse breaking) technology
- Device suitable for universal use thanks to comprehensive license package and extensive parameterization and diagnostics options

Uninterruptible power supply - QUINT-UPS/ 24DC/ 24DC/ 5/1.3AH



2320254

<https://www.phoenixcontact.com/za/products/2320254>

Commercial Data

Item number	2320254
Packing unit	1 pc
Minimum order quantity	1 pc
Sales Key	CMU
Product Key	CMUQV3
Catalog Page	Page 344 (C-4-2019)
GTIN	4046356554145
Weight per Piece (including packing)	2 540 g
Weight per Piece (excluding packing)	2 540 g
Customs tariff number	85371091
Country of origin	CN

Uninterruptible power supply - QUINT-UPS/ 24DC/ 24DC/ 5/1.3AH



2320254

<https://www.phoenixcontact.com/za/products/2320254>

Technical Data

Input data

DC operation

Input voltage	24 V DC
Input voltage range	18 V DC ... 30 V DC
Input voltage range DC	18 V DC ... 30 V DC
Voltage type of supply voltage	DC
Buffer period	50 min. (1 A)
	5 min. (5 A)
Current consumption	9.3 A (24 V DC)
	9.7 mA
	1.7 A
	7 A
Fixed backup threshold	≤ 22.6 V DC

Output data

Efficiency	> 97.1 % (Mains operation, with charged energy storage)
	97.31 %
Nominal output voltage	24 V DC
Output voltage range	18 V DC ... 30 V DC
Nominal output current (I_N)	5 A (0 °C ... 40 °C)
Output current limit	> 7.5 A (Battery operation)
Bridging time	360 s
Derating	60 °C ... 70 °C (2.5%/K)
Output power	120 W
Power dissipation	2.5 W (Mains operation)
	2.7 W (Mains operation)
	1.9 W (Mains operation)
	3.3 W (Battery operation)
	3.3 W (Battery operation)
	4.1 W (Battery operation)
Output fuse	1x 15 A
Connection in parallel	2
Connection in series	No

Mains operation

Nominal output voltage	24 V DC
Output voltage range	18 V DC ... 30 V DC ($U_{OUT} = U_{IN} - 0,1 \text{ V DC}$)
Nominal output current (I_N)	5 A (0 °C ... 40 °C)
POWER BOOST (I_{Boost})	7.5 A (0 °C ... 40 °C)
Selective Fuse Breaking (I_{SFB})	30 A (0 °C ... 40 °C)

Uninterruptible power supply - QUINT-UPS/ 24DC/ 24DC/ 5/1.3AH



2320254

<https://www.phoenixcontact.com/za/products/2320254>

Duration	12 ms (SFB technology)
----------	------------------------

Battery operation

Nominal output voltage	24 V DC
Output voltage range	19.2 V DC ... 27.6 V DC ($U_{OUT} = U_{BAT} - 0,5 \text{ V DC}$)
Nominal output current (I_N)	5 A (0 °C ... 40 °C)
POWER BOOST (I_{Boost})	7.5 A (0 °C ... 40 °C)
Selective Fuse Breaking (I_{SFB})	32.5 A (0 °C ... 40 °C)
Duration	15 ms (SFB technology)

Signal: Alarm

Output description	Relay
Output voltage	$\leq 30 \text{ V AC/DC}$
Continuous load current	$\leq 100 \text{ mA}$

Signal: Battery charge

Output description	Relay
Output voltage	$\leq 30 \text{ V AC/DC}$
Continuous load current	$\leq 100 \text{ mA}$

Signal: Battery mode

Output description	Relay
Output voltage	$\leq 30 \text{ V AC/DC}$
Continuous load current	$\leq 100 \text{ mA}$

Signal

Continuous load current	$\leq 200 \text{ mA}$
-------------------------	-----------------------

Signal: Alarm

Output description	Relay
Output voltage	$\leq 30 \text{ V AC/DC}$
Continuous load current	$\leq 100 \text{ mA}$

Signal: Battery charge

Output description	Relay
Output voltage	$\leq 30 \text{ V AC/DC}$
Continuous load current	$\leq 100 \text{ mA}$

Signal: Battery mode

Output description	Relay
Output voltage	$\leq 30 \text{ V AC/DC}$
Continuous load current	$\leq 100 \text{ mA}$

Signal

Continuous load current	$\leq 200 \text{ mA}$
-------------------------	-----------------------

Signal: Alarm

Uninterruptible power supply - QUINT-UPS/ 24DC/ 24DC/ 5/1.3AH



2320254

<https://www.phoenixcontact.com/za/products/2320254>

Output description	Relay
Output voltage	≤ 30 V AC/DC
Continuous load current	≤ 100 mA

Signal: Battery charge

Output description	Relay
Output voltage	≤ 30 V AC/DC
Continuous load current	≤ 100 mA

Signal: Battery mode

Output description	Relay
Output voltage	≤ 30 V AC/DC
Continuous load current	≤ 100 mA

Signal

Continuous load current	≤ 200 mA
-------------------------	----------

Signal: Alarm

Output description	Relay
Output voltage	≤ 30 V AC/DC
Continuous load current	≤ 100 mA

Signal: Battery charge

Output description	Relay
Output voltage	≤ 30 V AC/DC
Continuous load current	≤ 100 mA

Signal: Battery mode

Output description	Relay
Output voltage	≤ 30 V AC/DC
Continuous load current	≤ 100 mA

Signal

Continuous load current	≤ 200 mA
-------------------------	----------

Signal: Alarm

Output description	Relay
Output voltage	≤ 30 V AC/DC
Continuous load current	≤ 100 mA

Signal: Battery charge

Output description	Relay
Output voltage	≤ 30 V AC/DC
Continuous load current	≤ 100 mA

Signal: Battery mode

Output description	Relay
--------------------	-------

Uninterruptible power supply - QUINT-UPS/ 24DC/ 24DC/ 5/1.3AH



2320254

<https://www.phoenixcontact.com/za/products/2320254>

Output voltage	≤ 30 V AC/DC
Continuous load current	≤ 100 mA

Signal

Continuous load current	≤ 200 mA
-------------------------	----------

Signal: Alarm

Output description	Relay
Output voltage	≤ 30 V AC/DC
Continuous load current	≤ 100 mA

Signal: Battery charge

Output description	Relay
Output voltage	≤ 30 V AC/DC
Continuous load current	≤ 100 mA

Signal: Battery mode

Output description	Relay
Output voltage	≤ 30 V AC/DC
Continuous load current	≤ 100 mA

Signal

Continuous load current	≤ 200 mA
-------------------------	----------

Energy storage

Nominal voltage U_N	24 V DC
End-of-charge voltage	24 V DC ... 29 V DC (temperature compensated)
Charge current	0.36 A
Nominal capacity	1.2 Ah
Buffer period	50 min. (1 A) 5 min. (5 A)
Latest startup date (battery only)	3 Months (0 °C ... 20 °C) 1 Months (30 °C ... 40 °C)
Latest startup (battery only) - range	1 Months ... 3 Months (20 °C ... 30 °C)
Battery technology	VRLA-AGM
Memory medium	VRLA-AGM Battery 1.2 Ah
Accumulator type	2x BB Battery BP1.2-12FR (from UPS V/C-level 05)
Disposal	Used batteries must not be thrown away with household waste, they should instead be disposed of in accordance with applicable national regulations.
IQ technology	Yes
Temperature sensor	yes
Network management	Yes

Connection data

Uninterruptible power supply - QUINT-UPS/ 24DC/ 24DC/ 5/1.3AH



2320254

<https://www.phoenixcontact.com/za/products/2320254>

Input

Connection method	Screw connection
Conductor cross section solid min.	0.2 mm ²
Conductor cross section solid max.	2.5 mm ²
Conductor cross section flexible min.	0.2 mm ²
Conductor cross section flexible max.	2.5 mm ²
Conductor cross section AWG min.	20
Conductor cross section AWG max.	12
Stripping length	7 mm
Screw thread	M4
Tightening torque, min	0.5 Nm
Tightening torque max	0.6 Nm

Output

Connection method	Screw connection
Conductor cross section solid min.	0.2 mm ²
Conductor cross section solid max.	2.5 mm ²
Conductor cross section flexible min.	0.2 mm ²
Conductor cross section flexible max.	2.5 mm ²
Conductor cross section AWG min.	20
Conductor cross section AWG max.	12
Stripping length	7 mm
Screw thread	M4
Tightening torque, min	0.5 Nm
Tightening torque max	0.6 Nm

Signal

Conductor cross section solid min.	0.2 mm ²
Conductor cross section solid max.	2.5 mm ²
Conductor cross section flexible min.	0.2 mm ²
Conductor cross section flexible max.	2.5 mm ²
Conductor cross section AWG min.	24
Conductor cross section AWG max.	12
Screw thread	M4
Tightening torque, min	0.5 Nm
Tightening torque max	0.6 Nm

Interfaces

Interface	IFS (Interface system data port)
-----------	----------------------------------

LED signaling

Types of signaling	LED
	Relay contact

Uninterruptible power supply - QUINT-UPS/ 24DC/ 24DC/ 5/1.3AH



2320254

<https://www.phoenixcontact.com/za/products/2320254>

	Interface/software
--	--------------------

Signal output

Signalization designation	Power In OK
Status display	LED
Note on status display	Static to
	Static to

Signal output: Switching output

Signalization designation	Alarm
Status display	LED
Note on status display	Static to
Color	red
Note on status display	Static to

Signal output: Switching output

Signalization designation	Battery charge
Status display	LED bar graph
Note on status display	dynamic
Color	red/green
Note on status display	dynamic

Signal output: Switching output

Signalization designation	Battery mode
Status display	LED
Note on status display	Static to
Color	yellow
Note on status display	Static to

Product properties

Product type	Uninterruptible power supply
Disposal	Used batteries must not be thrown away with household waste, they should instead be disposed of in accordance with applicable national regulations.
IQ technology	Yes
MTBF (IEC 61709, SN 29500)	> 806000 h (40 °C)

Insulation characteristics

Protection class	III
Degree of pollution	2

Life expectancy (electrolytic capacitors)

Time	316800 h
------	----------

Dimensions

Width	88 mm
-------	-------

Uninterruptible power supply - QUINT-UPS/ 24DC/ 24DC/ 5/1.3AH



2320254

<https://www.phoenixcontact.com/za/products/2320254>

Height	138 mm
Depth	125 mm

Installation dimensions

Installation distance right/left	5 mm / 5 mm
Installation distance top/bottom	50 mm / 50 mm

Mounting

Mounting type	DIN rail mounting
Assembly instructions	alignable: horizontal 5 mm, vertical 50 mm
Mounting position	horizontal DIN rail NS 35, EN 60715

Material specifications

Color	aluminium
Housing material	Metal
Type of housing	Steel sheet, zinc-plated
Side element version	Galvanized sheet steel, closed
Housing material	Steel sheet, zinc-plated

Environmental and real-life conditions

Ambient conditions

Degree of protection	IP20
Ambient temperature (storage/transport)	-20 °C ... 40 °C
Ambient temperature (charge)	0 °C ... 40 °C
Ambient temperature (discharge)	-20 °C ... 50 °C
Climatic class	3K3 (in acc. with EN 60721)
Max. permissible relative humidity (operation)	≤ 95 % (25 °C, non-condensing)
Shock	18 ms, 30g, in each space direction (according to IEC 60068-2-27)
Vibration (operation)	< 15 Hz, amplitude ±2.5 mm (according to IEC 60068-2-6) 15 Hz ... 150 Hz, 2.3g t _v = 90 min.

Standards and regulations

Rail applications	EN 50121-4
Standard – Electronic equipment for use in electrical power installations and their assembly into electrical power installations	EN 50178/VDE 0160 (PELV)
Standard - Electrical safety	EN 60950-1/VDE 0805 (SELV) EN 61558-2-17

Approval data

UL approvals	UL/C-UL Recognized UL 60950-1 UL Listed UL 508
--------------	---

EMC data

Uninterruptible power supply - QUINT-UPS/ 24DC/ 24DC/ 5/1.3AH



2320254

<https://www.phoenixcontact.com/za/products/2320254>

Low Voltage Directive	Conformance with Low Voltage Directive 2014/35/EC
Electromagnetic compatibility	Conformance with EMC Directive 2014/30/EU
EMC requirements for noise emission	EN 61000-6-3
	EN 61000-6-4
EMC requirements for noise immunity	EN 61000-6-1
	EN 61000-6-2
Noise immunity	EN 61000-6-2:2005
Electrostatic discharge	
Standards/regulations	EN 61000-4-2
Electrostatic discharge	
Contact discharge	8 kV (Test Level 4)
Discharge in air	15 kV (Test Level 4)
Comments	Criterion A
Electromagnetic HF field	
Standards/regulations	EN 61000-4-3
Electromagnetic HF field	
Frequency range	80 MHz ... 1 GHz
Test field strength	20 V/m
Frequency range	1 GHz ... 2 GHz
Test field strength	10 V/m
Frequency range	2 GHz ... 3 GHz
Test field strength	3 V/m
Comments	Criterion A
Fast transients (burst)	
Standards/regulations	EN 61000-4-4
Fast transients (burst)	
Input	2 kV (Test Level 3 - asymmetrical)
Output	2 kV (Test Level 3 - asymmetrical)
Signal	2 kV (Test Level 4 - asymmetrical)
Comments	Criterion A
Surge voltage load (surge)	
Standards/regulations	EN 61000-4-5
Input	1 kV (Test Level 2 - symmetrical)
	2 kV (Test Level 3 - asymmetrical)
Output	1 kV (Test Level 2 - symmetrical)
	2 kV (Test Level 3 - asymmetrical)
Signal	1 kV (Test Level 2 - asymmetrical)
Comments	Criterion A

Uninterruptible power supply - QUINT-UPS/ 24DC/ 24DC/ 5/1.3AH



2320254

<https://www.phoenixcontact.com/za/products/2320254>

Conducted interference

Standards/regulations	EN 61000-4-6
-----------------------	--------------

Conducted interference

I/O/S	asymmetrical
Frequency range	0.15 MHz ... 80 MHz
Comments	Criterion A
Voltage	10 V (Test Level 3)

Emitted interference

Standards/regulations	EN 61000-6-3
Radio interference voltage in acc. with EN 55011	EN 55011 (EN 55022) Class B, area of application: Industry and residential
Emitted radio interference in acc. with EN 55011	EN 55011 (EN 55022) Class B, area of application: Industry and residential
Criterion A	Normal operating behavior within the specified limits.
Criterion B	Temporary impairment to operational behavior that is corrected by the device itself.

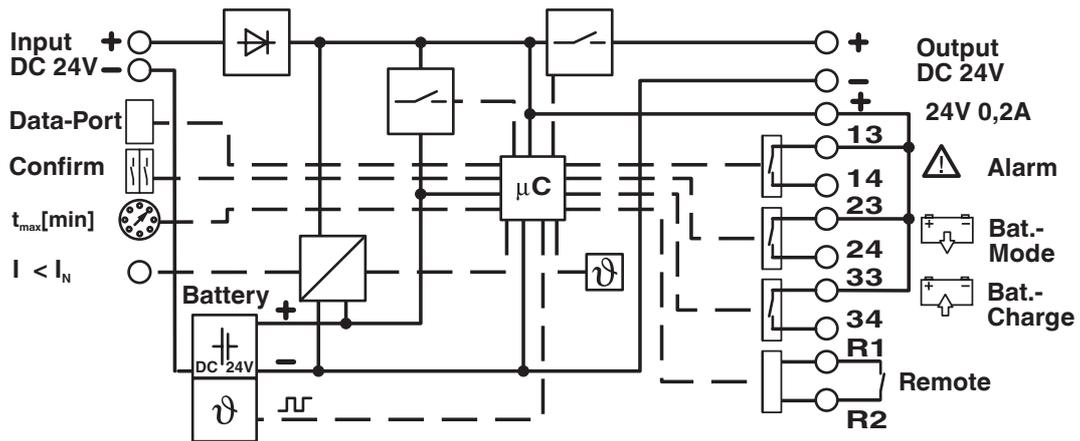
Uninterruptible power supply - QUINT-UPS/ 24DC/ 24DC/ 5/1.3AH

2320254

<https://www.phoenixcontact.com/za/products/2320254>

Drawings

Block diagram



Uninterruptible power supply - QUINT-UPS/ 24DC/ 24DC/ 5/1.3AH



2320254

<https://www.phoenixcontact.com/za/products/2320254>

Approvals



cUL Recognized
Approval ID: FILE E 211944



UL Recognized
Approval ID: FILE E 211944



EAC
Approval ID: EAC-Zulassung



EAC
Approval ID: RU S-DE.BL08.W.00764



UL Listed
Approval ID: FILE E 123528



cUL Listed
Approval ID: FILE E 123528



cUL Listed
Approval ID: FILE E 199827



UL Listed
Approval ID: FILE E 199827

cULus Recognized

cULus Listed

cULus Listed

Uninterruptible power supply - QUINT-UPS/ 24DC/ 24DC/ 5/1.3AH



2320254

<https://www.phoenixcontact.com/za/products/2320254>

Classifications

ECLASS

ECLASS-9.0	27040705
ECLASS-10.0.1	27040705
ECLASS-11.0	27040705

ETIM

ETIM 8.0	EC000382
----------	----------

UNSPSC

UNSPSC 21.0	39121000
-------------	----------

Uninterruptible power supply - QUINT-UPS/ 24DC/ 24DC/ 5/1.3AH



2320254

<https://www.phoenixcontact.com/za/products/2320254>

Environmental Product Compliance

REACH SVHC	Lead 7439-92-1
China RoHS	Environmentally Friendly Use Period = 3 For information on hazardous substances, refer to the manufacturer's declaration available under "Downloads"

Uninterruptible power supply - QUINT-UPS/ 24DC/ 24DC/ 5/1.3AH



2320254

<https://www.phoenixcontact.com/za/products/2320254>

Accessories

Fuse

Fuse - SI FORM C 15 A DIN 72581 - 0913676

<https://www.phoenixcontact.com/za/products/0913676>



Flat-type plug-in fuse, type C, color code: light blue, nominal current: 15 A

Data cable

Data cable - IFS-USB-DATACABLE - 2320500

<https://www.phoenixcontact.com/za/products/2320500>



Used for communicating between industrial PCs and Phoenix Contact devices with the 12-pos. IFS data port, such as QUINT UPS or TRIO UPS.

Uninterruptible power supply - QUINT-UPS/ 24DC/ 24DC/ 5/1.3AH



2320254

<https://www.phoenixcontact.com/za/products/2320254>

Data cable

Data cable - IFS-RS232-DATACABLE - 2320490

<https://www.phoenixcontact.com/za/products/2320490>



Data cable for communication between devices with a D-SUB 9 RS-232 connection and Phoenix Contact devices with the 12-pos. IFS data port such as QUINT UPS-IQ or TRIO UPS.

Data cable

Data cable - IFS-MINI-DIN-DATACABLE - 2320487

<https://www.phoenixcontact.com/za/products/2320487>



Data cable for communication, e.g., between Phoenix Contact type ILC 1xx Inline controllers and Phoenix Contact devices with the 12-pos. IFS data port, such as QUINT UPS-IQ UPS or TRIO UPS

Uninterruptible power supply - QUINT-UPS/ 24DC/ 24DC/ 5/1.3AH



2320254

<https://www.phoenixcontact.com/za/products/2320254>

Data cable

Data cable - IFS-OPEN-END-DATACABLE - 2320450

<https://www.phoenixcontact.com/za/products/2320450>



Data cable with open cable ends for communication, e.g., between a Phoenix Contact Inline communication terminal (IB IL RS UNI-PAC, 2700893) and Phoenix Contact devices with the 12-pos. IFS data port, such as QUINT UPS-IQ or TRIO UPS

Uninterruptible power supply replacement battery

Uninterruptible power supply replacement battery - UPS-BAT-KIT/PB/2X12V/1.2AH - 1283114

<https://www.phoenixcontact.com/za/products/1283114>



Replacement battery, VRLA-AGM, 2x12 V DC, 1.2 Ah. Only for 1274520 UPS-BAT/PB/24DC/1.2AH and 2320254 QUINT-UPS/24DC/24DC/5/1.3AH from V/C 05

Uninterruptible power supply - QUINT-UPS/ 24DC/ 24DC/ 5/1.3AH



2320254

<https://www.phoenixcontact.com/za/products/2320254>

Mounting adapter

Mounting adapter - QUINT-PS-ADAPTERS7/1 - 2938196

<https://www.phoenixcontact.com/za/products/2938196>

Assembly adapter for QUINT-PS... power supply on S7-300 rail

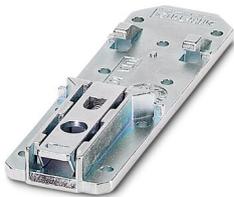


Mounting adapter

Mounting adapter - UTA 107/30 - 2320089

<https://www.phoenixcontact.com/za/products/2320089>

Universal DIN rail adapter



Uninterruptible power supply - QUINT-UPS/ 24DC/ 24DC/ 5/1.3AH



2320254

<https://www.phoenixcontact.com/za/products/2320254>

Mounting adapter

Mounting adapter - UWA 182/52 - 2938235

<https://www.phoenixcontact.com/za/products/2938235>



Universal wall adapter for securely mounting the device in the event of strong vibrations. The device is screwed directly onto the mounting surface. The universal wall adapter is attached on the top/bottom.

Memory block

Memory block - IFS-CONFSTICK-L - 2901103

<https://www.phoenixcontact.com/za/products/2901103>



Multi-functional memory block with handle for the INTERFACE system; for easy storage and back up of the configuration.

Phoenix Contact 2022 © - all rights reserved

<https://www.phoenixcontact.com>

PHOENIX CONTACT (Pty) Ltd.

36 Lyn Road P.O. Box 916 ZA-Ferndale 2160

+27/11/801-8200

info@phoenixcontact.co.za