

Current transducers - MCR-S-1-5-UI-SW-DCI-NC



2814731

<https://www.phoenixcontact.com/pc/products/2814731>

Please be informed that the data shown in this PDF document is generated from our Online Catalog. Please find the complete data in the user documentation. Our General Terms of Use for Downloads are valid.



MCR current transducer, programmable and configurable, for measuring direct, alternating and distorted currents, with relay and transistor output, input current 0 ... 0.2 A to 0 ... 11 A, unconfigured

Your advantages

- Device can be set via DIP switches or MCR/PI-CONF-WIN configuration software
- 3-way isolation
- True r.m.s. value measurement

Current transducers - MCR-S-1-5-UI-SW-DCI-NC



2814731

<https://www.phoenixcontact.com/pc/products/2814731>

Commercial Data

Item number	2814731
Packing unit	1 pc
Minimum order quantity	1 pc
Product Key	CK4A33
Catalog Page	Page 230 (C-5-2019)
GTIN	4017918169282
Weight per Piece (including packing)	203.9 g
Weight per Piece (excluding packing)	149.08 g
Customs tariff number	85437090
Country of origin	DE

Technical Data

Notes

Utilization restriction

EMC note	EMC: class A product, see manufacturer's declaration in the download area
----------	---

Product properties

Product type	Current transducer
--------------	--------------------

Insulation characteristics

Overvoltage category	III
Pollution degree	2

Electrical properties

Maximum power dissipation for nominal condition	2.2 W
Measuring category	III
Test voltage output/power supply	500 V AC (50 Hz, 60 s)
Test voltage input/output	4 kV AC (50 Hz, 60 s)
Test voltage input/power supply	4 kV AC (50 Hz, 60 s)
Protective circuit	Surge protection; 33 V suppressor diode
Step response (10-90%)	330 ms (AC) 40 ms (DC)
Temperature coefficient, typical	< 0.025 %/K
Maximum transmission error	< 0.5 % (of nominal range value under nominal conditions)
Rated insulation voltage	300 V AC (to earth)

Supply

Supply voltage range	20 V DC ... 30 V DC
Max. current consumption	< 50 mA (without load)

Input data

Signal

Supply voltage	24 V DC
----------------	---------

Measurement

Number of inputs	3
Configurable/programmable	Yes, unconfigured
Input current range	0 A AC/DC ... 11 A AC/DC (Permitted continuous overload: 120%)
Current measuring range	0 A AC/DC ... 1 A AC/DC 0 A AC/DC ... 5 A AC/DC 0 A AC/DC ... 10 A AC/DC
Setting range for min. input current	0 mA AC/DC ... 200 mA AC/DC

2814731

<https://www.phoenixcontact.com/pc/products/2814731>

Setting range for max. input current	0 A AC/DC ... 11 A AC/DC
LSB: Current	1 μ A (1 A)
	2 μ A (2 A)
	5 μ A (5 A)
	10 μ A (10 A)
	50 μ A (50 A)
	100 μ A (100 A)
Overload capacity	2 x I_N (continuous)
Surge strength	20 x I_N (1 s)
Frequency measuring range	15 Hz ... 400 Hz
Connection method	Screw connection
Curve type	AC, DC or distorted currents
Operate threshold	2 % (of measuring range nominal value 1/5/10 A)

Output data

Switching:

Contact type	1 changeover contact
Contact material	AgSnO, hard gold-plated
Maximum switching voltage	30 V AC
	36 V DC
	250 V AC (when the gold layer is destroyed)
Limiting continuous current	50 mA
	2 A (when the gold layer is destroyed)

Switching:

Continuous load current	80 mA (Not short-circuit proof)
Output voltage range	19 V ... 29 V (supply voltage - 1 V)
Setting range of the threshold value	1 % ... 110 %
Setting range of the response delay	0.1 s ... 20 s
Status display	Yellow LED

Signal: Voltage/current

Output name	Voltage output / current output
Configurable/programmable	Yes, unconfigured
Voltage output signal	0 V ... 5 V
	1 V ... 5 V
	0 V ... 10 V
	2 V ... 10 V
	-5 V ... 5 V
	-10 V ... 10 V
	10 V ... 0 V
	10 V ... 2 V
	10 V ... -10 V
	5 V ... 0 V

Current transducers - MCR-S-1-5-UI-SW-DCI-NC

2814731

<https://www.phoenixcontact.com/pc/products/2814731>

Current output signal	5 V ... 1 V
	5 V ... -5 V
	0 mA ... 20 mA
	4 mA ... 20 mA
	20 mA ... 0 mA
	20 mA ... 4 mA
Load/output load voltage output	> 10 k Ω
Load/output load current output	< 500 Ω

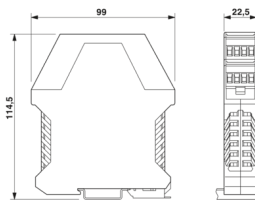
Connection data

Connection method	Screw connection
Stripping length	8 mm
Screw thread	M3
Conductor cross section solid	0.2 mm ² ... 2.5 mm ²
Conductor cross section flexible	0.2 mm ² ... 2.5 mm ²
Conductor cross section AWG	24 ... 14

LED signaling

Status display	Green LED
----------------	-----------

Dimensions

Dimensional drawing	
Width	22.5 mm
Height	99 mm
Depth	114.5 mm

Material specifications

Housing material	Polyamide PA non-reinforced
------------------	-----------------------------

Environmental and real-life conditions

Ambient conditions

Degree of protection	IP20
Ambient temperature (operation)	-20 °C ... 60 °C
Ambient temperature (storage/transport)	-40 °C ... 85 °C
Altitude	< 2000 m
Permissible humidity (operation)	10 % ... 95 % (non-condensing)

Approval data

Current transducers - MCR-S-1-5-UI-SW-DCI-NC



2814731

<https://www.phoenixcontact.com/pc/products/2814731>

CE

Certificate	CE-compliant
-------------	--------------

UL, USA / Canada

Identification	Class I, Zone 2, AEx nA nC IIC T4, Ex nA nC IIC T4 Gc X Class I, Div. 2, Groups A, B, C and D or Non-Hazardous Locations Only
----------------	--

EMC data

Low Voltage Directive	Conformance with Low Voltage Directive
Electromagnetic compatibility	Conformance with EMC directive
Noise emission	EN 61000-6-4
Noise immunity	EN 61000-6-2

Standards and regulations

Standards/regulations	IEC 61010-2-030
-----------------------	-----------------

Mounting

Mounting type	DIN rail mounting
Mounting position	any

Current transducers - MCR-S-1-5-UI-SW-DCI-NC

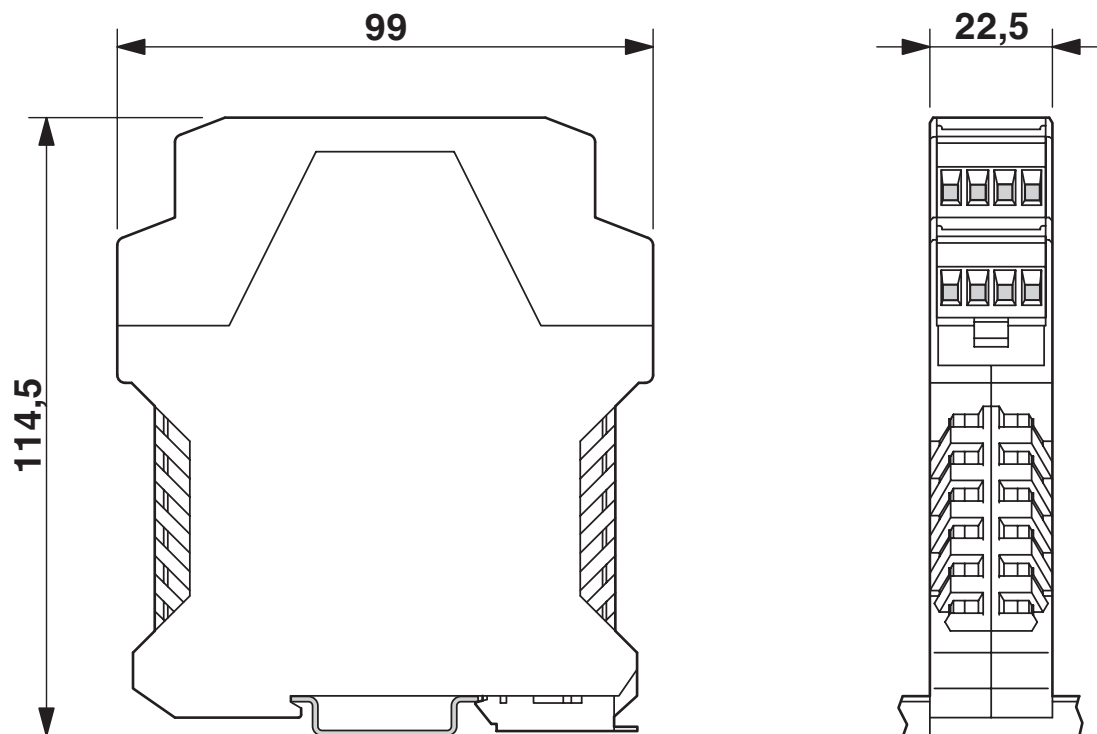
2814731

<https://www.phoenixcontact.com/pc/products/2814731>



Drawings

Dimensional drawing

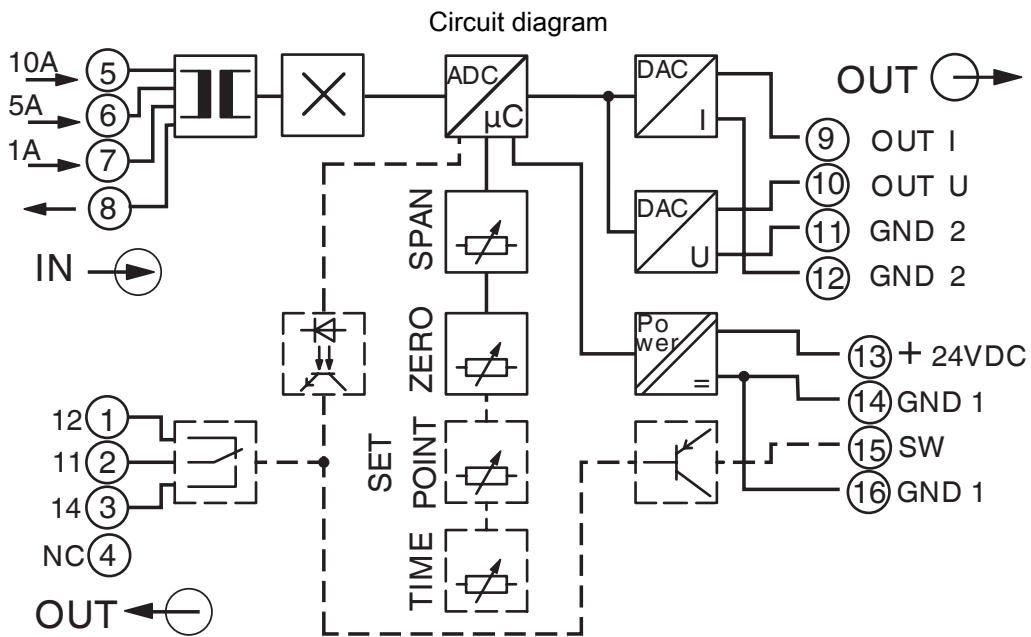
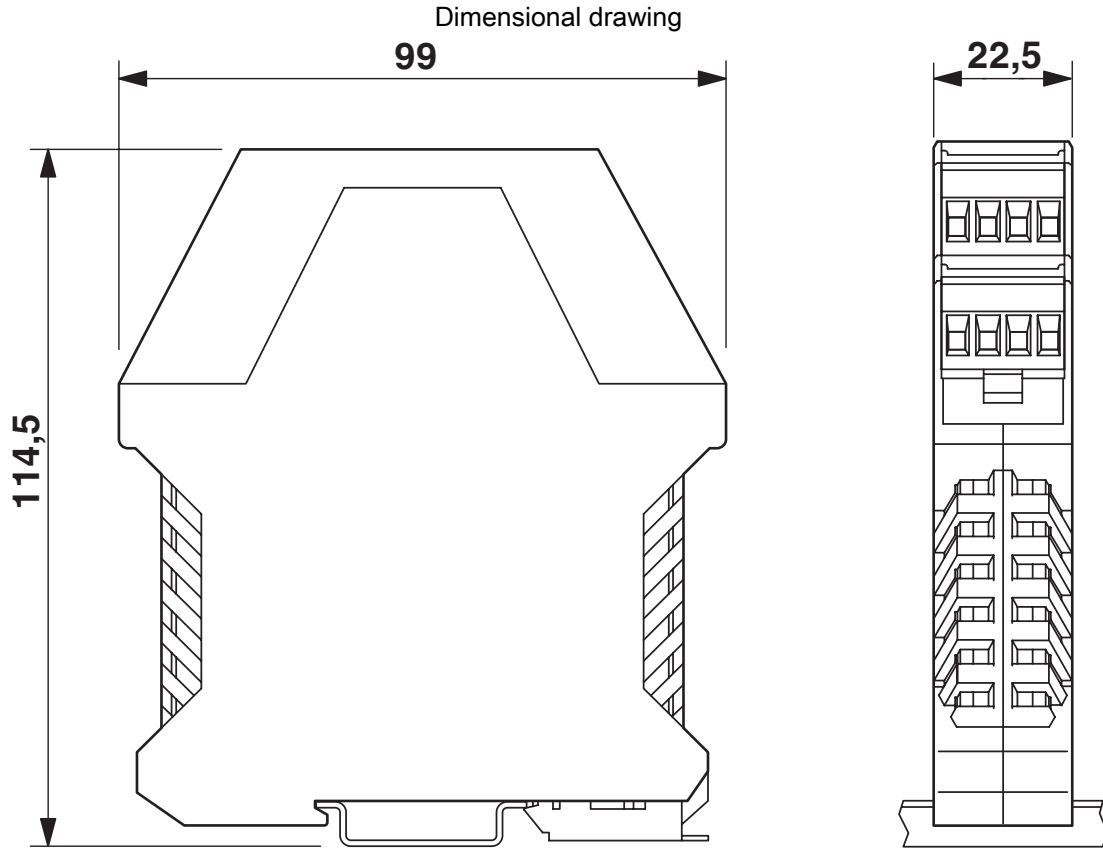


Current transducers - MCR-S-1-5-UI-SW-DCI-NC



2814731

<https://www.phoenixcontact.com/pc/products/2814731>



Current transducers - MCR-S-1-5-UI-SW-DCI-NC



2814731

<https://www.phoenixcontact.com/pc/products/2814731>

Approvals



cUL Recognized
Approval ID: FILE E 238705



UL Recognized
Approval ID: FILE E 238705



EAC
Approval ID: RU*DE.*08.B.01852-19



cUL Listed
Approval ID: FILE E 199827



UL Listed
Approval ID: FILE E 199827

cULus Recognized

cULus Listed

Current transducers - MCR-S-1-5-UI-SW-DCI-NC



2814731

<https://www.phoenixcontact.com/pc/products/2814731>

Classifications

ECLASS

ECLASS-9.0	27210123
ECLASS-10.0.1	27210123
ECLASS-11.0	27210123

ETIM

ETIM 8.0	EC002475
----------	----------

UNSPSC

UNSPSC 21.0	
-------------	--

Current transducers - MCR-S-1-5-UI-SW-DCI-NC



2814731

<https://www.phoenixcontact.com/pc/products/2814731>

Environmental Product Compliance

REACH SVHC	Lead 7439-92-1
	Hexahydromethylphthalic anhydride
China RoHS	Environmentally Friendly Use Period = 50 years
	For information on hazardous substances, refer to the manufacturer's declaration available under "Downloads"

Current transducers - MCR-S-1-5-UI-SW-DCI-NC



2814731

<https://www.phoenixcontact.com/pc/products/2814731>

Accessories

Cable

Cable - CM-KBL-RS232/USB - 2881078

<https://www.phoenixcontact.com/pc/products/2881078>

Connecting cable D-9-SUB to USB, with adapter D-9-SUB to D-25-SUB.



Adapter cable

Adapter cable - MCR-TTL-RS232-E - 2814388

<https://www.phoenixcontact.com/pc/products/2814388>

Software adapter cable (Stereo jack connector/D-SUB 25-pos.), 1.2 m length, for programming MCR-T-..., MCR-S-... and MCR-f-... modules



Phoenix Contact 2022 © - all rights reserved

<https://www.phoenixcontact.com>

PHOENIX CONTACT GmbH & Co. KG

Flachmarktstraße 8

D-32825 Blomberg

+49 (0) 5235-3 00

info@phoenixcontact.com