

Type 2 surge arrester - VAL-MS 230/3+1 FM

2838199

<https://www.phoenixcontact.com/il/products/2838199>

Please be informed that the data shown in this PDF document is generated from our Online Catalog. Please find the complete data in the user documentation. Our General Terms of Use for Downloads are valid.



Surge voltage arrester consisting of base element with remote indicator contact and ground connectors, for mounting on NS 35/7.5, nominal voltage: 230 V AC, 3 + 1 circuit

Your advantages

- Quality proven millions of times over in the widest range of applications
- Rapid installation with bridges, thanks to industry-standard overall width of 1 HP
- Easy testing and insulation measurement, thanks to pluggable protection modules
- Wide range of applications due to various nominal voltages
- High degree of modularity provides individual solutions for every application
- With floating remote indication contact
- Optical, mechanical status indication for the individual arresters

Type 2 surge arrester - VAL-MS 230/3+1 FM



2838199

<https://www.phoenixcontact.com/il/products/2838199>

Commercial Data

Item number	2838199
Packing unit	1 pc
Minimum order quantity	1 pc
Product Key	CL1321
Catalog Page	Page 60 (C-4-2019)
GTIN	4017918172800
Weight per Piece (including packing)	404.72 g
Weight per Piece (excluding packing)	399.7 g
Customs tariff number	85363030
Country of origin	DE

Type 2 surge arrester - VAL-MS 230/3+1 FM



2838199

<https://www.phoenixcontact.com/il/products/2838199>

Technical Data

Product properties

IEC test classification	II
	T2
EN type	T2
IEC power supply system	TN-S
	TT
Type	DIN rail module, two-section, divisible
Product type	Surge arrester
Number of positions	4
Surge protection fault message	Optical, remote indicator contact

Insulation characteristics

Overvoltage category	III
Pollution degree	2

Electrical properties

Nominal frequency f_N	50 Hz (60 Hz)
-------------------------	---------------

Indicator/remote signaling

Connection name	Remote fault indicator contact
Switching function	Changeover contact
Operating voltage	5 V AC ... 250 V AC
	30 V DC
Operating current	5 mA AC ... 750 mA AC
	1 A DC

Connection data

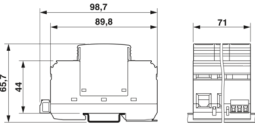
Connection method	Screw connection
Screw thread	M5
Tightening torque	3 Nm (1.5 mm ² ... 16 mm ²)
	4.5 Nm (25 mm ² ... 35 mm ²)
Stripping length	16 mm
Conductor cross section flexible	1.5 mm ² ... 25 mm ²
Conductor cross section solid	1.5 mm ² ... 35 mm ²
Conductor cross section AWG	15 ... 2
Connection method	Fork-type cable lug
Conductor cross section flexible	1.5 mm ² ... 16 mm ²

Dimensions

Type 2 surge arrester - VAL-MS 230/3+1 FM

2838199

<https://www.phoenixcontact.com/il/products/2838199>

Dimensional drawing	
Width	71 mm
Height	98.7 mm
Depth	65.7 mm (incl. DIN rail 7.5 mm)
Horizontal pitch	4 Div.

Material specifications

Color	jet black RAL 9005
Flammability rating according to UL 94	V-0
CTI value of material	600
Insulating material	PA 6.6/PBT
Material group	I
Housing material	PA 6.6 PBT

Protective circuit

Mode of protection	L-N L-PE N-PE
Direction of action	3L-N & N-PE
Nominal voltage U_N	240/415 V AC (TN-S) 240/415 V AC (TT)
Nominal frequency f_N	50 Hz (60 Hz)
Maximum continuous operating voltage U_C (L-N)	275 V AC
Maximum continuous operating voltage U_C (L-PE)	275 V AC
Maximum continuous operating voltage U_C (N-PE)	260 V AC
Rated load current I_L	80 A
Residual current I_{PE}	$\leq 5 \mu\text{A}$
Standby power consumption P_C	$\leq 360 \text{ mVA}$
Nominal discharge current I_n (8/20) μs	20 kA
Maximum discharge current I_{max} (8/20) μs	40 kA
Follow current interrupt rating I_{fi} (N-PE)	100 A
Short-circuit current rating I_{SCCR}	25 kA
Voltage protection level U_p (L-N)	$\leq 1.35 \text{ kV}$
Voltage protection level U_p (L-PE)	$\leq 1.6 \text{ kV}$
Voltage protection level U_p (N-PE)	$\leq 1.5 \text{ kV}$
Residual voltage U_{res} (L-N)	$\leq 1.35 \text{ kV}$ (at I_n) $\leq 1.1 \text{ kV}$ (at 10 kA) $\leq 1 \text{ kV}$ (at 5 kA) $\leq 0.9 \text{ kV}$ (at 3 kA)

Type 2 surge arrester - VAL-MS 230/3+1 FM



2838199

<https://www.phoenixcontact.com/il/products/2838199>

Residual voltage U_{res} (L-PE)	≤ 1.6 kV (at I_n)
	≤ 1.2 kV (at 10 kA)
	≤ 1 kV (at 5 kA)
	≤ 0.9 kV (at 3 kA)
Residual voltage U_{res} (N-PE)	≤ 0.4 kV (at I_n)
	≤ 0.25 kV (at 10 kA)
	≤ 0.15 kV (at 5 kA)
	≤ 0.1 kV (at 3 kA)
TOV behavior at U_T (L-N)	335 V AC (5 s / withstand mode)
	440 V AC (120 min / safe failure mode)
TOV behavior at U_T (N-PE)	1200 V AC (200 ms / withstand mode)
Response time t_A (L-N)	≤ 25 ns
Response time t_A (L-PE)	≤ 100 ns
Response time t_A (N-PE)	≤ 100 ns
Max. backup fuse with V-type through wiring	80 A (gG)
Max. backup fuse with branch wiring	125 A (gG)

Environmental and real-life conditions

Ambient conditions

Degree of protection	IP20 (only when all terminal points are used)
Ambient temperature (operation)	-40 °C ... 80 °C
Ambient temperature (storage/transport)	-40 °C ... 80 °C
Altitude	≤ 2000 m (amsl (above mean sea level))
Permissible humidity (operation)	5 % ... 95 %
Shock (operation)	25g (Half-sine / 11 ms / 3x $\pm X$, $\pm Y$, $\pm Z$)
Vibration (operation)	5g (10 ... 500 Hz / 2.5 h / X, Y, Z)

Approval data

UL specifications

Maximum continuous operating voltage MCOV (L-L)	550 V AC
Maximum continuous operating voltage MCOV (L-N)	275 V AC
Maximum continuous operating voltage MCOV (L-G)	275 V AC
Maximum continuous operating voltage MCOV (N-G)	260 V AC
Nominal discharge current I_n (L-L)	20 kA
Nominal discharge current I_n (L-N)	20 kA
Nominal discharge current I_n (L-G)	20 kA
Nominal discharge current I_n (N-G)	20 kA
Mode of protection	L-L
	L-N
	L-G
	N-G
Nominal voltage	230/400 V AC
Power distribution system	Wye

Type 2 surge arrester - VAL-MS 230/3+1 FM



2838199

<https://www.phoenixcontact.com/il/products/2838199>

Nominal frequency	50/60 Hz
Measured limiting voltage MLV (L-L)	2720 V
Measured limiting voltage MLV (L-N)	1910 V
Measured limiting voltage MLV (L-G)	2630 V
Measured limiting voltage MLV (N-G)	1370 V
SPD Type	4CA

UL indicator/remote signaling

AC operating voltage	125 V AC
AC operating current	1 A AC

UL connection data

Tightening torque	30 lb _f -in.
Conductor cross section AWG	10 ... 2

Standards and regulations

Standards/specifications	IEC 61643-11
Standards/specifications	EN 61643-11

Mounting

Mounting type	DIN rail: 35 mm
---------------	-----------------

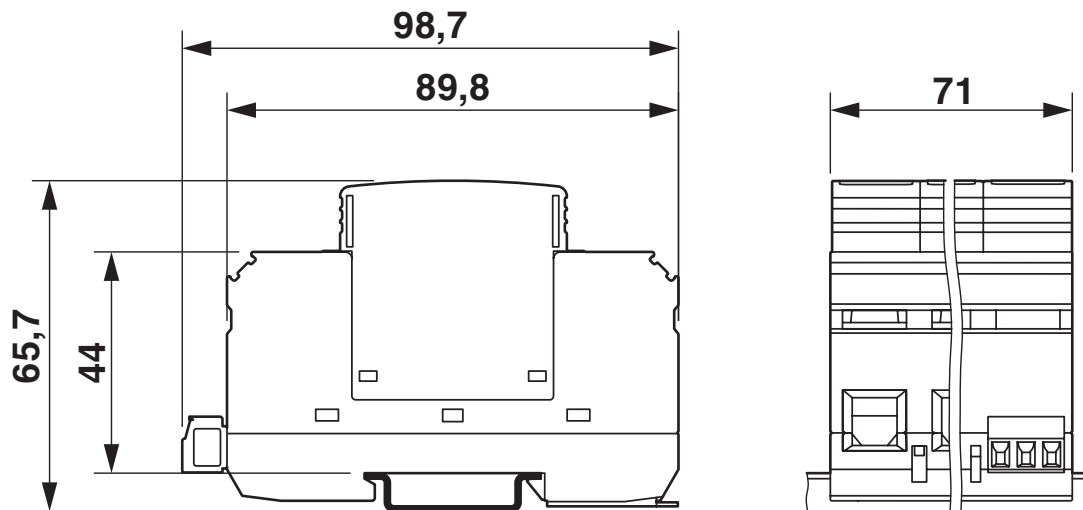
Type 2 surge arrester - VAL-MS 230/3+1 FM

2838199

<https://www.phoenixcontact.com/il/products/2838199>



Dimensional drawing



Type 2 surge arrester - VAL-MS 230/3+1 FM



2838199

<https://www.phoenixcontact.com/il/products/2838199>

Approvals



cUL Recognized
Approval ID: FILE E 330181



UL Recognized
Approval ID: FILE E 330181



IECEE CB Scheme
Approval ID: AT 2905/M1



EAC
Approval ID: EAC-Zulassung

CCA

Approval ID: NTR-AT 1947-A

Nominal Voltage U_N

Nominal Current I_N

Cross Section AWG

Cross Section mm^2

-

-



KEMA-KEUR
Approval ID: 71-113273



DNV GL
Approval ID: TAE000041M

Nominal Voltage U_N

Nominal Current I_N

Cross Section AWG

Cross Section mm^2

-

-



EAC
Approval ID: RU C-DE.*09.B.00169



CSA
Approval ID: 13631



ÖVE
Approval ID: 18583-001-15

cULus Recognized

Type 2 surge arrester - VAL-MS 230/3+1 FM

2838199

<https://www.phoenixcontact.com/il/products/2838199>



Type 2 surge arrester - VAL-MS 230/3+1 FM



2838199

<https://www.phoenixcontact.com/il/products/2838199>

Classifications

ECLASS

ECLASS-9.0	27130805
ECLASS-10.0.1	27130805
ECLASS-11.0	27130805

ETIM

ETIM 8.0	EC000941
----------	----------

UNSPSC

UNSPSC 21.0	
-------------	--

Type 2 surge arrester - VAL-MS 230/3+1 FM



2838199

<https://www.phoenixcontact.com/il/products/2838199>

Environmental Product Compliance

REACH SVHC	Lead 7439-92-1
China RoHS	Environmentally Friendly Use Period = 50 years
	For information on hazardous substances, refer to the manufacturer's declaration available under "Downloads"

Type 2 surge arrester - VAL-MS 230/3+1 FM

2838199

<https://www.phoenixcontact.com/il/products/2838199>



Accessories

Wiring bridge

Wiring bridge - MPB 18/4- 8 - 2809283

<https://www.phoenixcontact.com/il/products/2809283>



Wiring bridge for modules with connecting pitch 17.5 mm, 4-phase, 8-pos.

Wiring bridge

Wiring bridge - MPB 18/1-57 - 2809238

<https://www.phoenixcontact.com/il/products/2809238>



Wiring bridge for modules with connecting pitch 17.5 mm, 1-phase, 57-pos.

Type 2 surge arrester - VAL-MS 230/3+1 FM

2838199

<https://www.phoenixcontact.com/il/products/2838199>

Wiring bridge

Wiring bridge - MPB 18/1-12 - 2748593

<https://www.phoenixcontact.com/il/products/2748593>



Wiring bridge for modules with connecting pitch 17.5 mm, 1-phase, 12-pos.

Wiring bridge

Wiring bridge - MPB 18/1- 9 - 2748580

<https://www.phoenixcontact.com/il/products/2748580>



Wiring bridge for modules with connecting pitch 17.5 mm, 1-phase, 9-pos.

Type 2 surge arrester - VAL-MS 230/3+1 FM

2838199

<https://www.phoenixcontact.com/il/products/2838199>

Wiring bridge

Wiring bridge - MPB 18/1- 8 - 2748577

<https://www.phoenixcontact.com/il/products/2748577>



Wiring bridge for modules with connecting pitch 17.5 mm, 1-phase, 8-pos.

Wiring bridge

Wiring bridge - MPB 18/1- 6 - 2748564

<https://www.phoenixcontact.com/il/products/2748564>



Wiring bridge for modules with connecting pitch 17.5 mm, 1-phase, 6-pos.

Type 2 surge arrester - VAL-MS 230/3+1 FM

2838199

<https://www.phoenixcontact.com/il/products/2838199>

Wiring bridge

Wiring bridge - MPB 18/1- 4 - 2809225

<https://www.phoenixcontact.com/il/products/2809225>



Wiring bridge for modules with connecting pitch 17.5 mm, 1-phase, 4-pos.

Wiring bridge

Wiring bridge - MPB 18/1- 3 - 2809212

<https://www.phoenixcontact.com/il/products/2809212>



Wiring bridge for modules with connecting pitch 17.5 mm, 1-phase, 3-pos.

Type 2 surge arrester - VAL-MS 230/3+1 FM

2838199

<https://www.phoenixcontact.com/il/products/2838199>

Wiring bridge

Wiring bridge - MPB 18/1- 2 - 2809209

<https://www.phoenixcontact.com/il/products/2809209>



Wiring bridge for modules with connecting pitch 17.5 mm, 1-phase, 2-pos.

Wiring bridge

Wiring bridge - MPB 18/4- 8 - 2809283

<https://www.phoenixcontact.com/il/products/2809283>



Wiring bridge for modules with connecting pitch 17.5 mm, 4-phase, 8-pos.

Type 2 surge arrester - VAL-MS 230/3+1 FM

2838199

<https://www.phoenixcontact.com/il/products/2838199>

Feed-through terminal block

Feed-through terminal block - DK-BIC-35 - 2749880

<https://www.phoenixcontact.com/il/products/2749880>

Feed-through terminal block for VAL and FLT applications



Marker pen

Marker pen - B-STIFT - 1051993

<https://www.phoenixcontact.com/il/products/1051993>

Marker pen, for manual labeling of unprinted Zack strips, smear-proof and waterproof, line thickness 0.5 mm



Type 2 surge arrester - VAL-MS 230/3+1 FM

2838199

<https://www.phoenixcontact.com/il/products/2838199>

Zack marker strip

Zack marker strip - ZBN 18:UNBEDRUCKT - 2809128

<https://www.phoenixcontact.com/il/products/2809128>



Zack marker strip, Strip, white, unlabeled, can be labeled with: CMS-P1-PLOTTER, PLOTMARK, mounting type: snap in, for terminal block width: 18 mm, lettering field size: 18 x 5 mm, Number of individual labels: 5

Marker for terminal blocks

Marker for terminal blocks - ZBN 18,LGS:ERDE - 2749589

<https://www.phoenixcontact.com/il/products/2749589>



Marker for terminal blocks, Strip, white, labeled, horizontal: Grounding symbol, mounting type: snap into tall marker groove, for terminal block width: 18 mm, lettering field size: 18 x 5 mm, Number of individual labels: 5

Type 2 surge arrester - VAL-MS 230/3+1 FM

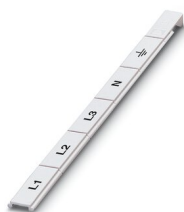
2838199

<https://www.phoenixcontact.com/il/products/2838199>

Marker for terminal blocks

Marker for terminal blocks - ZBN 18,LGS:L1-N,ERDE - 2749576

<https://www.phoenixcontact.com/il/products/2749576>



Marker for terminal blocks, Strip, white, labeled, horizontal: L1, L2, L3, N, GND, mounting type: snap into tall marker groove, for terminal block width: 18 mm, lettering field size: 18 x 5 mm, Number of individual labels: 5

Type 2 surge protection plug

Type 2 surge protection plug - VAL-MS 230 ST - 2798844

<https://www.phoenixcontact.com/il/products/2798844>



Surge protection connector type 2 with high-capacity varistor for VAL-MS base element, thermal monitoring, visual fault warning. Design: 230 V AC

Type 2 surge arrester - VAL-MS 230/3+1 FM

2838199

<https://www.phoenixcontact.com/il/products/2838199>



Type 2 surge protection plug

Type 2 surge protection plug - F-MS 12 ST - 2817990

<https://www.phoenixcontact.com/il/products/2817990>



Surge protection plug type 2, with N-PE total current spark gap for base element.

Phoenix Contact 2022 © - all rights reserved
<https://www.phoenixcontact.com>

PHOENIX CONTACT Israel Ltd.
P.O.B. 1799 Industrial Park Hasharon
Quadima 60920
+972-9-8915700
info@phoenixcontact.co.il