

# Signal conditioner - MINI MCR-SL-UI-UI-NC



2864150

<https://www.phoenixcontact.com/il/products/2864150>

Please be informed that the data shown in this PDF document is generated from our Online Catalog. Please find the complete data in the user documentation. Our General Terms of Use for Downloads are valid.

---



3-way isolating amplifier for the electrical isolation of analog signals, I/O can be configured via DIP switches, with screw connection, standard configuration

---

## Your advantages

- Power supply possible via the foot element (TBUS)
- Up to 36 signal combinations can be configured using DIP switches
- Low power consumption
- Highly-compact isolating amplifier for electrical isolation, conversion, amplification, and filtering of standard analog signals
- 3-way isolation

# Signal conditioner - MINI MCR-SL-UI-UI-NC



2864150

<https://www.phoenixcontact.com/il/products/2864150>

## Commercial Data

Item number	2864150
Packing unit	1 pc
Minimum order quantity	1 pc
Note	Made to Order (non-returnable)
Product Key	CK1211
Catalog Page	Page 92 (C-7-2015)
GTIN	4017918956615
Weight per Piece (including packing)	87.2 g
Weight per Piece (excluding packing)	77 g
Customs tariff number	85437090
Country of origin	DE

## Technical Data

### Notes

#### Utilization restriction

EMC note	EMC: class A product, see manufacturer's declaration in the download area
----------	---

### Product properties

Product type	Signal conditioner
No. of channels	1
Configuration	DIP switches

#### Insulation characteristics

Overvoltage category	II
Pollution degree	2

### Electrical properties

No. of channels	1
Electrical isolation	Basic insulation according to EN 61010
Electrical isolation between input and output	yes
Limit frequency (3 dB)	approx. 100 Hz
Maximum power dissipation for nominal condition	58 mW 184.3 mW
Protective circuit	Transient protection
Step response (10-90%)	<input type="checkbox"/> 3.2 ms
Maximum temperature coefficient	< 0.01 %/K
Temperature coefficient, typical	< 0.002 %/K
Maximum transmission error	≤ 0.1 % (of final value) < 0.4 % (Without adjustment)

#### Electrical isolation Input/output/power supply

Rated insulation voltage	50 V AC/DC
Test voltage	1.5 kV AC (50 Hz, 60 s)

#### Supply

Nominal supply voltage	24 V DC
Supply voltage range	19.2 V DC ... 30 V DC (The DIN rail bus connector (ME 6,2 TBUS-2 1,5/5-ST-3,81 GN, Item No. 2869728) can be used to bridge the supply voltage. It can be snapped onto a 35 mm DIN rail according to EN 60715))
Max. current consumption	< 19 mA (Current output, at 24 V DC incl. load) < 9 mA (Voltage output, at 24 V DC incl. load)
Power consumption	< 450 mW (Current output) < 200 mW (Voltage output)

### Input data

# Signal conditioner - MINI MCR-SL-UI-UI-NC



2864150

<https://www.phoenixcontact.com/il/products/2864150>

Signal: Voltage/current input

Number of inputs	1
Configurable/programmable	Yes, unconfigured
Voltage input signal	0 V ... 10 V
	0 V ... 5 V
	1 V ... 5 V
	2 V ... 10 V
Max. voltage input signal	30 V
Current input signal	0 mA ... 20 mA
	4 mA ... 20 mA
Max. current input signal	50 mA
Input resistance of voltage input	approx. 100 k $\Omega$
Input resistance current input	approx. 50 $\Omega$

## Output data

Signal: Voltage/current

Output name	Voltage output / current output
Number of outputs	1
Configurable/programmable	Yes, unconfigured
Voltage output signal	0 V ... 10 V
	0 V ... 5 V
	1 V ... 5 V
	2 V ... 10 V
Max. voltage output signal	approx. 12.5 V
Non-load voltage	approx. 12.5 V
Current output signal	0 mA ... 20 mA
	4 mA ... 20 mA
Max. current output signal	28 mA
Short-circuit current	approx. 22 mA
Load/output load voltage output	$\geq 10$ k $\Omega$
Load/output load current output	$< 500$ $\Omega$ (at 20 mA)
Ripple	$< 20$ mV <sub>PP</sub> (at 500 $\Omega$ )
	$< 20$ mV <sub>PP</sub> (at 10 k $\Omega$ )

## Connection data

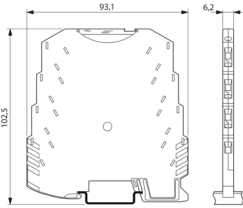
Connection method	Screw connection
Stripping length	12 mm
Screw thread	M3
Conductor cross section solid	0.2 mm <sup>2</sup> ... 2.5 mm <sup>2</sup>
Conductor cross section flexible	0.2 mm <sup>2</sup> ... 2.5 mm <sup>2</sup>
Conductor cross section AWG	26 ... 12

## Dimensions

# Signal conditioner - MINI MCR-SL-UI-UI-NC

2864150

<https://www.phoenixcontact.com/il/products/2864150>

Dimensional drawing	
Width	6.2 mm
Height	93.1 mm
Depth	101.2 mm

## Material specifications

Fire protection for rail vehicles (DIN EN 45545-2) R22	HL 1 - HL 2
Fire protection for rail vehicles (DIN EN 45545-2) R23	HL 1 - HL 2
Fire protection for rail vehicles (DIN EN 45545-2) R24	HL 1 - HL 2
Housing material	PBT

## Environmental and real-life conditions

### Ambient conditions

Degree of protection	IP20
Ambient temperature (operation)	-20 °C ... 65 °C
Ambient temperature (storage/transport)	-40 °C ... 85 °C
Altitude	≤ 2000 m
Permissible humidity (operation)	5 % ... 95 % (non-condensing)

## Approval data

### CE

Certificate	CE-compliant
-------------	--------------

### UKCA

Certificate	UKCA-compliant
-------------	----------------

### UL, USA / Canada

Identification	UL 508 Recognized
	Class I, Div. 2, Groups A, B, C, D T5

### Shipbuilding approval

Certificate	DNV GL TAA000020N
-------------	-------------------

### DNV GL data

Temperature	B
Humidity	B
Vibration	B
EMC	A
Enclosure	Required protection according to the Rules shall be provided upon installation on board

## EMC data

Electromagnetic compatibility	Conformance with EMC directive
Noise emission	EN 61000-6-4
Noise immunity	EN 61000-6-2
Note	When being exposed to interference, there may be minimal deviations.

### Electrostatic discharge

Standards/regulations	EN 61000-4-2
-----------------------	--------------

### Electrostatic discharge

Comments	Safety measures must be taken to prevent electrostatic discharge.
----------	---

### Electromagnetic HF field

Designation	Electromagnetic RF field
Standards/regulations	EN 61000-4-3
Typical deviation from the measuring range final value	5 %

### Fast transients (burst)

Designation	Fast transients (burst)
Standards/regulations	EN 61000-4-4
Typical deviation from the measuring range final value	5 %

### Surge current load (surge)

Standards/regulations	EN 61000-4-5
-----------------------	--------------

### Surge current load (surge)

Comments	Criterion B
----------	-------------

### Conducted interference

Designation	Conducted interferences
Standards/regulations	EN 61000-4-6
Typical deviation from the measuring range final value	5 %

## Standards and regulations

Electrical isolation	Basic insulation according to EN 61010
----------------------	--

## Mounting

Mounting type	DIN rail mounting
Assembly instructions	The T connector can be used to bridge the supply voltage. It can be snapped onto a 35 mm DIN rail according to EN 60715.
Mounting position	any

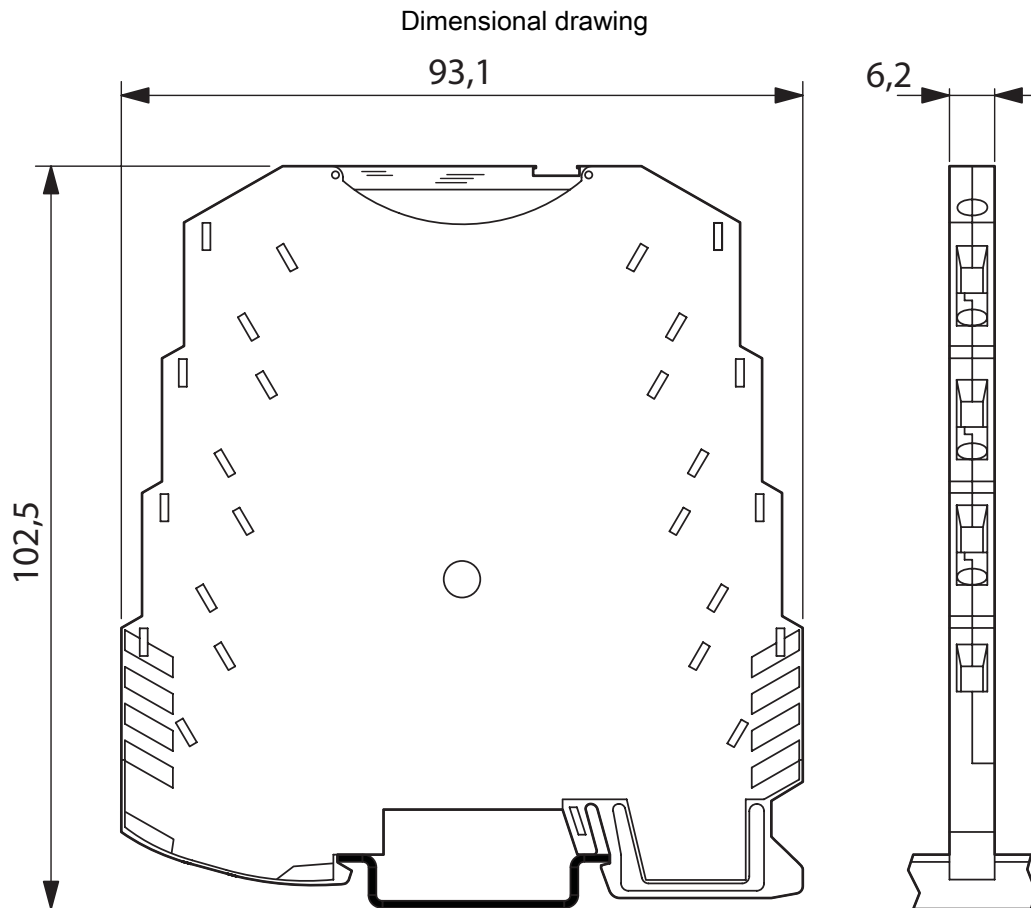
# Signal conditioner - MINI MCR-SL-UI-UI-NC

2864150

<https://www.phoenixcontact.com/il/products/2864150>



## Drawings

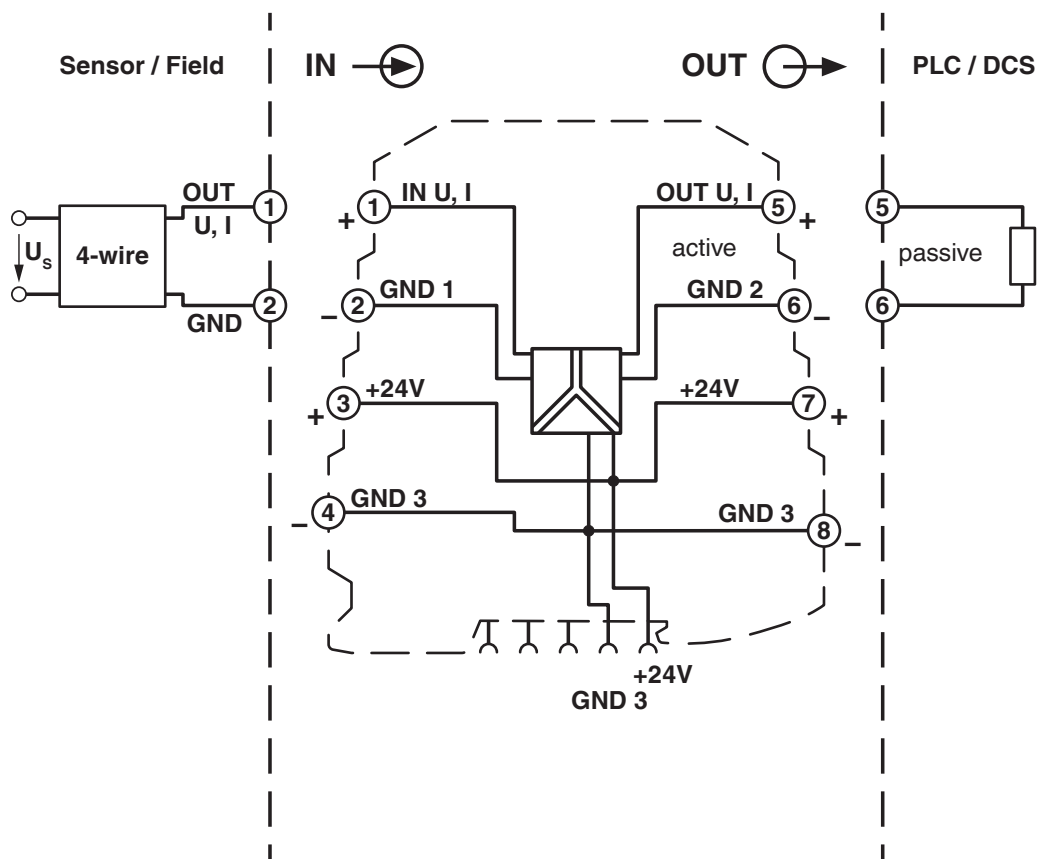


# Signal conditioner - MINI MCR-SL-UI-UI-NC

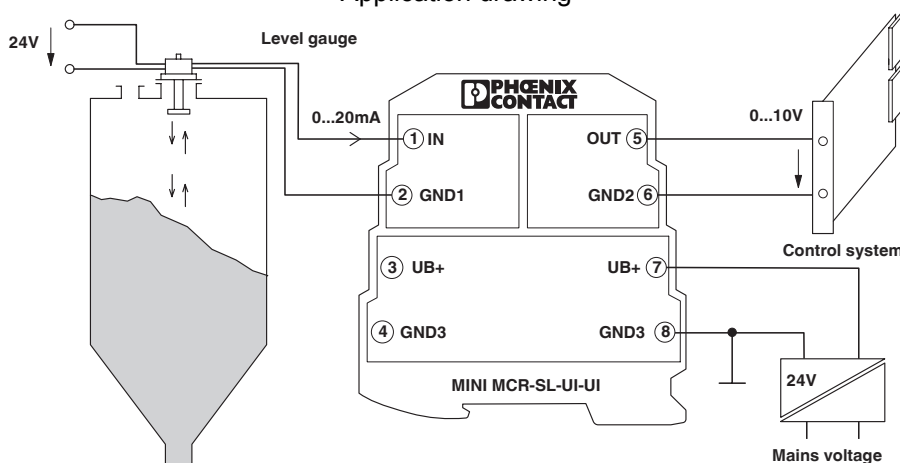
2864150

<https://www.phoenixcontact.com/il/products/2864150>

Block diagram



Application drawing





# Signal conditioner - MINI MCR-SL-UI-UI-NC



2864150

<https://www.phoenixcontact.com/il/products/2864150>

## Approvals



**cUL Recognized**  
Approval ID: FILE E 238705



**UL Recognized**  
Approval ID: FILE E 238705



**cUL Listed**  
Approval ID: FILE E 199827



**UL Listed**  
Approval ID: FILE E 199827

**cULus Recognized**

**cULus Listed**

# Signal conditioner - MINI MCR-SL-UI-UI-NC



2864150

<https://www.phoenixcontact.com/il/products/2864150>

## Classifications

### ECLASS

ECLASS-9.0	27210120
ECLASS-10.0.1	27210120
ECLASS-11.0	27210120

### ETIM

ETIM 8.0	EC002653
----------	----------

### UNSPSC

UNSPSC 21.0	
-------------	--

# Signal conditioner - MINI MCR-SL-UI-UI-NC



2864150

<https://www.phoenixcontact.com/il/products/2864150>

## Environmental Product Compliance

REACH SVHC	Lead 7439-92-1
China RoHS	Environmentally Friendly Use Period = 50 years
	For information on hazardous substances, refer to the manufacturer's declaration available under "Downloads"

# Signal conditioner - MINI MCR-SL-UI-UI-NC

2864150

<https://www.phoenixcontact.com/il/products/2864150>

## Accessories

### Transparent cover

Transparent cover - MINI MCR DKL - 2308111

<https://www.phoenixcontact.com/il/products/2308111>



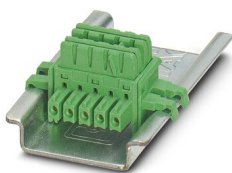
Fold up transparent cover for MINI MCR modules with additional labeling option using insert strips and flat Zack marker strip 6.2 mm

---

### DIN rail bus connectors

DIN rail bus connectors - ME 6,2 TBUS-2 1,5/5-ST-3,81 GN - 2869728

<https://www.phoenixcontact.com/il/products/2869728>



DIN rail connector for DIN rail mounting. Universal for TBUS housing. Gold-plated contacts, 5-pos.

# Signal conditioner - MINI MCR-SL-UI-UI-NC

2864150

<https://www.phoenixcontact.com/il/products/2864150>

## Power terminal block

Power terminal block - MINI MCR-SL-PTB - 2864134

<https://www.phoenixcontact.com/il/products/2864134>



MCR power terminal block for supplying several MINI Analog modules via the DIN rail connector, with screw connection, maximum current consumption of up to 2 A

---

## Marking label

Marking label - MINI MCR-DKL-LABEL - 2810272

<https://www.phoenixcontact.com/il/products/2810272>



Label for extended marking of MINI MCR modules in connection with the MINI MCR-DKL

# Signal conditioner - MINI MCR-SL-UI-UI-NC



2864150

<https://www.phoenixcontact.com/il/products/2864150>

## Power supply unit

Power supply unit - QUINT4-SYS-PS/1AC/24DC/2.5/SC - 2904614

<https://www.phoenixcontact.com/il/products/2904614>



Primary-switched power supply unit, QUINT POWER, Screw connection, DIN rail mounting, input: 1-phase, output: 24 V DC / 2.5 A

---

Phoenix Contact 2022 © - all rights reserved

<https://www.phoenixcontact.com>

PHOENIX CONTACT Israel Ltd.  
P.O.B. 1799 Industrial Park Hasharon  
Quadima 60920  
+972-9-8915700  
[info@phoenixcontact.co.il](mailto:info@phoenixcontact.co.il)