

# Signal duplicator - MINI MCR-2-UNI-UI-2UI



2905026

<https://www.phoenixcontact.com/pc/products/2905026>

Please be informed that the data shown in this PDF document is generated from our Online Catalog. Please find the complete data in the user documentation. Our General Terms of Use for Downloads are valid.



Universally configurable 4-way signal duplicator, with plug-in connection technology for the electrical isolation and duplication of analog signals. Configurable via DIP switch or software. Screw connection technology, standard configuration.

## Product Description

Configurable, freely adjustable 4-way signal duplicator with plug-in connection technology for the duplication, electrical isolation, conversion, amplification, and filtering of standard signals. Current signals between 0 mA ... 24 mA and voltage signals between 0 V ... 12 V can be processed on the input side. Signals between 0 mA ... 21 mA and 0 V ... 10.5 V are possible on the output side. Both output signals can be set independently of one another. The minimum measuring span is 1 mA and 0.5 V. Full accuracy is maintained with a measuring span greater than 10 mA and 5 V. You can configure the device using one of the free software solutions. Default settings can also be made directly on the device by simply using the DIP switches (see configuration table). The measuring transducer supports fault monitoring and NFC communication.

# Signal duplicator - MINI MCR-2-UNI-UI-2UI



2905026

<https://www.phoenixcontact.com/pc/products/2905026>

## Commercial Data

Item number	2905026
Packing unit	1 pc
Minimum order quantity	1 pc
Note	Made to Order (non-returnable)
Product Key	CK1411
Catalog Page	Page 70 (C-5-2019)
GTIN	4046356915243
Weight per Piece (including packing)	125.1 g
Weight per Piece (excluding packing)	120.4 g
Customs tariff number	85437090
Country of origin	DE

# Signal duplicator - MINI MCR-2-UNI-UI-2UI



2905026

<https://www.phoenixcontact.com/pc/products/2905026>

## Technical Data

### Notes

#### Utilization restriction

EMC note	EMC: class A product, see manufacturer's declaration in the download area
----------	---

### Product properties

Product type	Signal duplicator
No. of channels	2
Type	Signal conditioner
Configuration	DIP switches
	Software
	App

#### Insulation characteristics

Overvoltage category	II
Pollution degree	2

### Electrical properties

No. of channels	2
Electrical isolation	4-way isolation
Step response (0–99%)	140 ms (15 Hz sample rate)
	45 ms (60 Hz sample rate)
	25 ms (240 Hz sample rate, can only be set via software)
Maximum temperature coefficient	0.01 %/K
Maximum transmission error	0.05 % (of final value)

#### Electrical isolation Input/output/power supply

Rated insulation voltage	300 V <sub>rms</sub>
Test voltage	3 kV AC (50 Hz, 60 s)
Insulation	Reinforced insulation according to IEC/EN 61010-1

#### Supply

Nominal supply voltage	24 V DC
Supply voltage range	9.6 V DC ... 30 V DC (The DIN rail bus connector (ME 6,2 TBUS-2 1,5/5-ST-3,81 GN, Item No. 2869728) can be used to bridge the supply voltage. It can be snapped onto a 35 mm DIN rail according to EN 60715))
Typical current consumption	55 mA (24 V DC)
	110 mA (12 V DC)
Power consumption	1.5 W (at I <sub>OUT</sub> = 20 mA, 9.6 V DC, 600 Ω load)

### Input data

Signal: Voltage/current input

# Signal duplicator - MINI MCR-2-UNI-UI-2UI



2905026

<https://www.phoenixcontact.com/pc/products/2905026>

Number of inputs	1
Configurable/programmable	Yes
Voltage input signal	0 V ... 10 V (via DIP switch) 2 V ... 10 V (via DIP switch) 0 V ... 5 V (via DIP switch) 1 V ... 5 V (via DIP switch) 0 V ... 12 V (can be set via software)
Max. voltage input signal	12 V
Current input signal	0 mA ... 20 mA (via DIP switch) 4 mA ... 20 mA (via DIP switch) 0 mA ... 10 mA (via DIP switch) 20 mA ... 0 mA (via DIP switch) 0 mA ... 24 mA (can be set via software)
Minimum current input signal	freely configurable
Max. current input signal	24 mA
Input resistance of voltage input	> 120 k $\Omega$
Input resistance current input	approx. 50 $\Omega$ (+0.7 V for test diode)

## Output data

Signal: Voltage/current

Output name	Voltage output / current output
Number of outputs	2
Voltage output signal	0 V ... 10 V (via DIP switch) 2 V ... 10 V (via DIP switch) 0 V ... 5 V (via DIP switch) 1 V ... 5 V (via DIP switch) 0 V ... 10.5 V (can be set via software)
Max. voltage output signal	approx. 12.3 V
Non-load voltage	$\leq$ 18.5 V
Current output signal	0 mA ... 20 mA (via DIP switch) 4 mA ... 20 mA (via DIP switch) 0 mA ... 10 mA (via DIP switch) 20 mA ... 0 mA (via DIP switch) 0 mA ... 21 mA (can be set via software)
Max. current output signal	24.6 mA
Short-circuit current	$\leq$ 25 mA
Load/output load voltage output	$\geq$ 10 k $\Omega$
Load/output load current output	$\leq$ 600 $\Omega$ (per channel)
Ripple	< 20 mV <sub>PP</sub> (at 600 $\Omega$ ) < 20 mV <sub>PP</sub> (at 600 $\Omega$ )

## Connection data

Connection method	Screw connection
Stripping length	10 mm

# Signal duplicator - MINI MCR-2-UNI-UI-2UI



2905026

<https://www.phoenixcontact.com/pc/products/2905026>

Screw thread	M3
Conductor cross section solid	0.2 mm <sup>2</sup> ... 1.5 mm <sup>2</sup> (with ferrule)
	0.14 mm <sup>2</sup> ... 2.5 mm <sup>2</sup> (without ferrule)
Conductor cross section flexible	0.14 mm <sup>2</sup> ... 2.5 mm <sup>2</sup>
Conductor cross section AWG	24 ... 12 (flexible)
Torque	0.5 Nm ... 0.6 Nm

## Interfaces

Data: IFS interface

Connection method	Micro USB type B
-------------------	------------------

## LED signaling

Status display	Green LED (supply voltage)
Indication	Red LED

## Software

Functionality

Configuration	DIP switches
	Software
	App

## Dimensions

Width	6.2 mm
Height	109.81 mm
Depth	119.2 mm

## Material specifications

Fire protection for rail vehicles (DIN EN 45545-2) R22	HL 1 - HL 2
Fire protection for rail vehicles (DIN EN 45545-2) R23	HL 1 - HL 2
Fire protection for rail vehicles (DIN EN 45545-2) R24	HL 1 - HL 2
Housing material	PBT

## Environmental and real-life conditions

Ambient conditions

Degree of protection	IP20 (not assessed by UL)
Ambient temperature (operation)	-40 °C ... 70 °C
Ambient temperature (storage/transport)	-40 °C ... 85 °C
Altitude	≤ 2000 m
Permissible humidity (operation)	5 % ... 95 % (non-condensing)

## Approval data

CE

Certificate	CE-compliant
-------------	--------------

# Signal duplicator - MINI MCR-2-UNI-UI-2UI



2905026

<https://www.phoenixcontact.com/pc/products/2905026>

## ATEX

Identification	<input type="checkbox"/> II 3 G Ex ec IIC T4 Gc
Certificate	BVS 19 ATEX E 083 X

## UKCA Ex (UKEX)

Identification	<input type="checkbox"/> II 3 G Ex ec IIC T4 Gc
Certificate	PxCIF21UKEX2905026X

## IECEX

Identification	Ex ec IIC T4 Gc
Certificate	IECEX BVS 19.0072X

## CCC / China-Ex

Identification	Ex nA IIC T4 Gc
Certificate	NEPSI GYJ20.1318X

## UL, USA / Canada

Identification	UL 508 Listed
	Class I, Div. 2, Groups A, B, C, D T6
	Class I, Zone 2, Group IIC T6

## Shipbuilding approval

Certificate	DNV GL TAA000021E Rev. 1
-------------	--------------------------

## EAC Ex

Identification	<input type="checkbox"/> 2Ex ec IIC T4 Gc
Certificate	BY/112 02.01 TP012 103.01 00081

## DNV GL data

Temperature	B
Humidity	B
Vibration	A
EMC	A
Enclosure	Required protection according to the Rules shall be provided upon installation on board

## EMC data

Electromagnetic compatibility	Conformance with EMC directive
Noise emission	EN 61000-6-4
Noise immunity	EN 61000-6-2
Note	When being exposed to interference, there may be minimal deviations.

## Electrostatic discharge

Standards/regulations	EN 61000-4-2
-----------------------	--------------

## Electrostatic discharge

Comments	Safety measures must be taken to prevent electrostatic discharge.
----------	---

# Signal duplicator - MINI MCR-2-UNI-UI-2UI



2905026

<https://www.phoenixcontact.com/pc/products/2905026>

## Electromagnetic HF field

Designation	Electromagnetic RF field
Standards/regulations	EN 61000-4-3
Typical deviation from the measuring range final value	0.2 %

## Fast transients (burst)

Designation	Fast transients (burst)
Standards/regulations	EN 61000-4-4
Typical deviation from the measuring range final value	0.1 %

## Surge current load (surge)

Standards/regulations	EN 61000-4-5
-----------------------	--------------

## Conducted interference

Designation	Conducted interferences
Standards/regulations	EN 61000-4-6
Typical deviation from the measuring range final value	2.8 %

## Standards and regulations

Electrical isolation	4-way isolation
----------------------	-----------------

## GB Standard

Standards/regulations	GB 3836.1
	GB 3836.8

## Mounting

Mounting type	DIN rail mounting
Assembly instructions	The T connector can be used to bridge the supply voltage. It can be snapped onto a 35 mm DIN rail according to EN 60715.
Mounting position	any

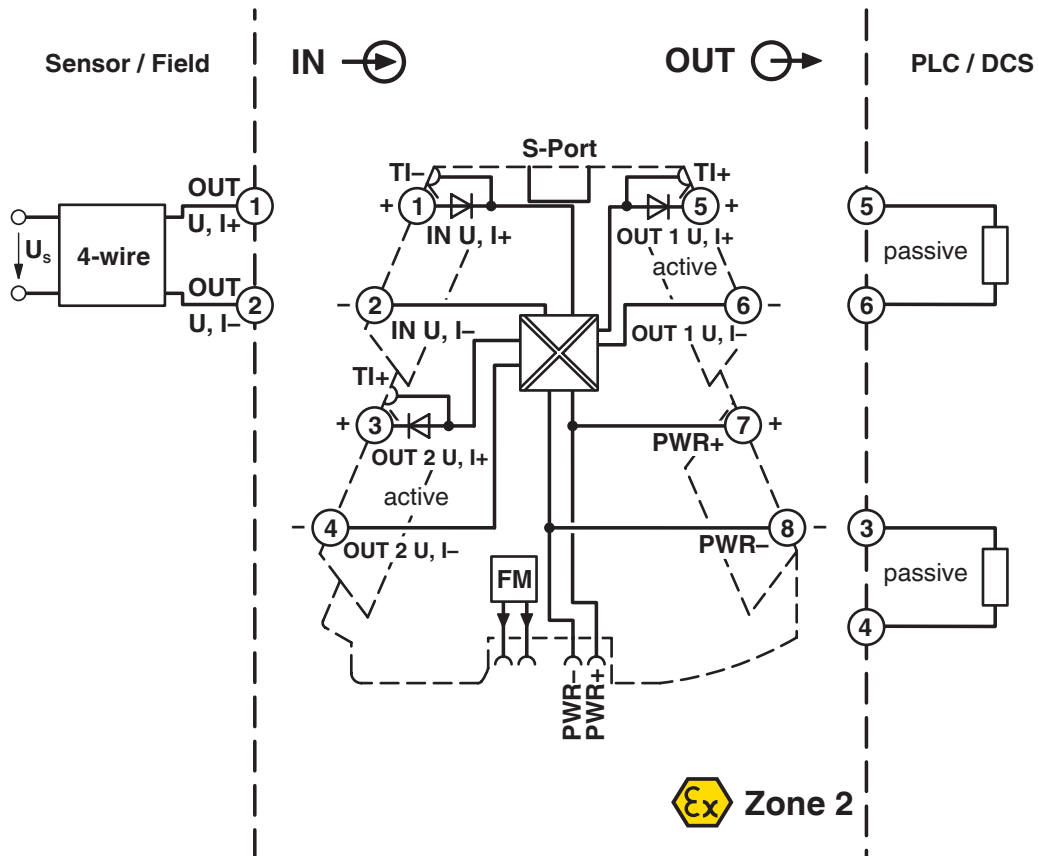
# Signal duplicator - MINI MCR-2-UNI-UI-2UI

2905026

<https://www.phoenixcontact.com/pc/products/2905026>

## Drawings

Block diagram





# Signal duplicator - MINI MCR-2-UNI-UI-2UI



2905026

<https://www.phoenixcontact.com/pc/products/2905026>

## Approvals



### EAC

Approval ID: RU\*DE.\*08.B.01536/19



### DNV GL

Approval ID: TAA000021E



### UL Listed

Approval ID: FILE E 238705

Nominal Voltage $U_N$	Nominal Current $I_N$	Cross Section AWG	Cross Section $\text{mm}^2$
		-	-



### cUL Listed

Approval ID: FILE E 238705

Nominal Voltage $U_N$	Nominal Current $I_N$	Cross Section AWG	Cross Section $\text{mm}^2$
		-	-



### IECEx

Approval ID: IECEx BVS 19.0072X



### cUL Listed

Approval ID: FILE E 196811

Nominal Voltage $U_N$	Nominal Current $I_N$	Cross Section AWG	Cross Section $\text{mm}^2$
		-	-



### UL Listed

Approval ID: FILE E 196811

Nominal Voltage $U_N$	Nominal Current $I_N$	Cross Section AWG	Cross Section $\text{mm}^2$
		-	-



### ATEX

Approval ID: BVS 19 ATEX E 083 X

cULus Listed

cULus Listed

# Signal duplicator - MINI MCR-2-UNI-UI-2UI

2905026

<https://www.phoenixcontact.com/pc/products/2905026>



# Signal duplicator - MINI MCR-2-UNI-UI-2UI



2905026

<https://www.phoenixcontact.com/pc/products/2905026>

## Classifications

### ECLASS

ECLASS-9.0	27210120
ECLASS-10.0.1	27210120
ECLASS-11.0	27210120

### ETIM

ETIM 8.0	EC002653
----------	----------

### UNSPSC

UNSPSC 21.0	39121000
-------------	----------

# Signal duplicator - MINI MCR-2-UNI-UI-2UI



2905026

<https://www.phoenixcontact.com/pc/products/2905026>

## Environmental Product Compliance

REACH SVHC	Lead 7439-92-1
China RoHS	Environmentally Friendly Use Period = 50 years
	For information on hazardous substances, refer to the manufacturer's declaration available under "Downloads"

# Signal duplicator - MINI MCR-2-UNI-UI-2UI

2905026

<https://www.phoenixcontact.com/pc/products/2905026>

## Accessories

### Monitoring module

Monitoring module - MINI MCR-2-FM-RC - 2904504

<https://www.phoenixcontact.com/pc/products/2904504>



Fault monitoring module with plug-in connection technology for evaluating and reporting group errors from the FM system and for monitoring the supply voltages. Error message via N/C contact. Screw connection technology, standard configuration

---

### Monitoring module

Monitoring module - MINI MCR-2-FM-RC-PT - 2904508

<https://www.phoenixcontact.com/pc/products/2904508>



Fault monitoring module with plug-in connection technology for evaluating and reporting group errors from the FM system and for monitoring the supply voltages. Error message via N/C contact. Push-in connection technology, standard configuration

# Signal duplicator - MINI MCR-2-UNI-UI-2UI

2905026

<https://www.phoenixcontact.com/pc/products/2905026>

## DIN rail bus connectors

DIN rail bus connectors - ME 6,2 TBUS-2 1,5/5-ST-3,81 GY - 2695439

<https://www.phoenixcontact.com/pc/products/2695439>



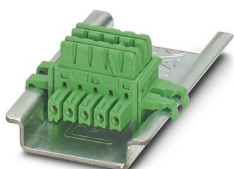
DIN rail connector (TBUS), 5-pos., for bridging the supply voltage, can be snapped onto NS 35/... DIN rails according to EN 60715

---

## DIN rail bus connectors

DIN rail bus connectors - ME 6,2 TBUS-2 1,5/5-ST-3,81 GN - 2869728

<https://www.phoenixcontact.com/pc/products/2869728>



DIN rail connector for DIN rail mounting. Universal for TBUS housing. Gold-plated contacts, 5-pos.

# Signal duplicator - MINI MCR-2-UNI-UI-2UI

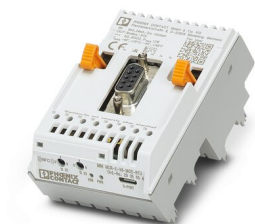
2905026

<https://www.phoenixcontact.com/pc/products/2905026>

## Communication module

Communication module - MINI MCR-2-V8-MOD-RTU - 2905634

<https://www.phoenixcontact.com/pc/products/2905634>



Eight MINI Analog Pro signal conditioners and measuring transducers can be quickly and easily integrated into a Modbus/RTU network via a communication adapter.

---

## Communication module

Communication module - MINI MCR-2-V8-MOD-TCP - 2905635

<https://www.phoenixcontact.com/pc/products/2905635>



Eight MINI Analog Pro signal conditioners and measuring transducers can be quickly and easily integrated into a Modbus/TCP network via a communication adapter.

# Signal duplicator - MINI MCR-2-UNI-UI-2UI

2905026

<https://www.phoenixcontact.com/pc/products/2905026>

## Communication module

Communication module - MINI MCR-2-V8-PB-DP - 2905636

<https://www.phoenixcontact.com/pc/products/2905636>



Eight MINI Analog Pro signal conditioners and measuring transducers can be quickly and easily integrated into a PROFIBUS DP network via a communication adapter.

---

## Programming adapter

Programming adapter - IFS-USB-PROG-ADAPTER - 2811271

<https://www.phoenixcontact.com/pc/products/2811271>



Programming adapter with USB interface, for programming with software. The USB driver is included in the software solutions for the products to be programmed, such as measuring transducers or motor managers.



# Signal duplicator - MINI MCR-2-UNI-UI-2UI

2905026

<https://www.phoenixcontact.com/pc/products/2905026>

## Programming adapter

Programming adapter - TWN4 MIFARE NFC USB ADAPTER - 2909681

<https://www.phoenixcontact.com/pc/products/2909681>



Near Field Communication (NFC) programming adapter with USB interface for the wireless configuration of NFC-capable products from PHOENIX CONTACT with software. No separate USB driver is required.

---

## Power terminal block

Power terminal block - MINI MCR-2-PTB - 2902066

<https://www.phoenixcontact.com/pc/products/2902066>



Power terminal with plug-in connection technology for delivering the supply voltage to the DIN rail connector. Monitoring of the supply voltages in combination with the fault monitoring module. Screw connection technology

# Signal duplicator - MINI MCR-2-UNI-UI-2UI

2905026

<https://www.phoenixcontact.com/pc/products/2905026>

## Power terminal block

Power terminal block - MINI MCR-2-PTB-PT - 2902067

<https://www.phoenixcontact.com/pc/products/2902067>



Power terminal with plug-in connection technology for delivering the supply voltage to the DIN rail connector. Monitoring of the supply voltages in combination with the fault monitoring module. Push-in connection technology

---

## Marker for end clamp

Marker for end clamp - UCT-EM (30X5) - 0801505

<https://www.phoenixcontact.com/pc/products/0801505>



Marker for end clamp, Sheet, white, unlabeled, can be labeled with: TOPMARK NEO, TOPMARK LASER, BLUEMARK ID COLOR, BLUEMARK ID, BLUEMARK CLED, THERMOMARK PRIME, THERMOMARK CARD 2.0, THERMOMARK CARD, mounting type: snap in, lettering field size: 30 x 5 mm, Number of individual labels: 24

# Signal duplicator - MINI MCR-2-UNI-UI-2UI

2905026

<https://www.phoenixcontact.com/pc/products/2905026>

## Marker for end clamp

Marker for end clamp - UCT-EM (30X5) CUS - 0801589

<https://www.phoenixcontact.com/pc/products/0801589>



Marker for end clamp, can be ordered: by sheet, white, labeled according to customer specifications, mounting type: snapped into marker carrier, lettering field size: 30 x 5 mm, Number of individual labels: 24

---

## Marker for end clamp

Marker for end clamp - UCT-EM (30X5) YE - 0830340

<https://www.phoenixcontact.com/pc/products/0830340>



Marker for end clamp, Sheet, yellow, unlabeled, can be labeled with: TOPMARK NEO, TOPMARK LASER, BLUEMARK ID COLOR, BLUEMARK ID, BLUEMARK CLED, THERMOMARK PRIME, THERMOMARK CARD 2.0, THERMOMARK CARD, mounting type: snap in, lettering field size: 30 x 5 mm, Number of individual labels: 24

# Signal duplicator - MINI MCR-2-UNI-UI-2UI

2905026

<https://www.phoenixcontact.com/pc/products/2905026>

## Marker for end clamp

Marker for end clamp - UCT-EM (30X5) YE CUS - 0830348

<https://www.phoenixcontact.com/pc/products/0830348>



Marker for end clamp, can be ordered: by sheet, yellow, labeled according to customer specifications, mounting type: snapped into marker carrier, lettering field size: 30 x 5 mm, Number of individual labels: 24

---

## Marker strip

Marker strip - SK 5,0 WH:REEL - 0805221

<https://www.phoenixcontact.com/pc/products/0805221>



Marker strip, Roll, white, unlabeled, can be labeled with: THERMOMARK ROLL 2.0, THERMOMARK ROLL, THERMOMARK ROLL X1, THERMOMARK ROLLMaster 300/600, THERMOMARK X1.2, mounting type: adhesive, for terminal block width: 5 mm, lettering field size: continuous x 5 mm, Number of individual labels: 90000

# Signal duplicator - MINI MCR-2-UNI-UI-2UI

2905026

<https://www.phoenixcontact.com/pc/products/2905026>

## Adapter

Adapter - IFS-BT-PROG-ADAPTER - 2905872

<https://www.phoenixcontact.com/pc/products/2905872>



Bluetooth adapter with micro USB and S-PORT interface for wireless communication with the MINI Analog, MINI Analog Pro, MACX Analog, INTERFACE system gateways, and PLC logic device series.

---

## System adapter

System adapter - MINI MCR-2-V8-FLK 16 - 2901993

<https://www.phoenixcontact.com/pc/products/2901993>



Eight MINI Analog Pro signal conditioners and measuring transducers can be connected to a controller with minimal cabling effort and without any errors using system adapters and system cabling.

# Signal duplicator - MINI MCR-2-UNI-UI-2UI

2905026

<https://www.phoenixcontact.com/pc/products/2905026>

## Power supply unit

Power supply unit - QUINT4-SYS-PS/1AC/24DC/2.5/SC - 2904614

<https://www.phoenixcontact.com/pc/products/2904614>



Primary-switched power supply unit, QUINT POWER, Screw connection, DIN rail mounting, input: 1-phase, output: 24 V DC / 2.5 A

---

## Plastic label

Plastic label - UC-EMLP (15X5) - 0819301

<https://www.phoenixcontact.com/pc/products/0819301>



Plastic label, Sheet, white, unlabeled, can be labeled with: BLUEMARK ID COLOR, BLUEMARK ID, BLUEMARK CLED, PLOTMARK, CMS-P1-PLOTTER, mounting type: adhesive, lettering field size: 15 x 5 mm, Number of individual labels: 10

# Signal duplicator - MINI MCR-2-UNI-UI-2UI

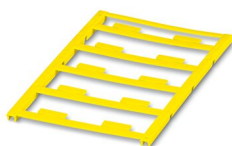
2905026

<https://www.phoenixcontact.com/pc/products/2905026>

## Plastic label

Plastic label - UC-EMLP (15X5) YE - 0822615

<https://www.phoenixcontact.com/pc/products/0822615>



Plastic label, Sheet, yellow, unlabeled, can be labeled with: BLUEMARK ID COLOR, BLUEMARK ID, BLUEMARK CLED, PLOTMARK, CMS-P1-PLOTTER, mounting type: adhesive, lettering field size: 15 x 5 mm, Number of individual labels: 10

---

## Plastic label

Plastic label - UC-EMLP (15X5) CUS - 0824550

<https://www.phoenixcontact.com/pc/products/0824550>



Plastic label, can be ordered: by sheet, white, labeled according to customer specifications, mounting type: adhesive, lettering field size: 15 x 5 mm

# Signal duplicator - MINI MCR-2-UNI-UI-2UI



2905026

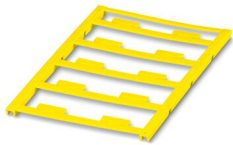
<https://www.phoenixcontact.com/pc/products/2905026>

## Plastic label

Plastic label - UC-EMLP (15X5) YE CUS - 0824551

<https://www.phoenixcontact.com/pc/products/0824551>

Plastic label, can be ordered: by sheet, yellow, labeled according to customer specifications, mounting type: adhesive, lettering field size: 15 x 5 mm



---

## Plastic label

Plastic label - UC-EMLP (15X5) SR - 0828095

<https://www.phoenixcontact.com/pc/products/0828095>

Plastic label, Sheet, silver, unlabeled, can be labeled with: BLUEMARK ID COLOR, BLUEMARK ID, BLUEMARK CLED, PLOTMARK, CMS-P1-PLOTTER, mounting type: adhesive, lettering field size: 15 x 5 mm, Number of individual labels: 10





# Signal duplicator - MINI MCR-2-UNI-UI-2UI

2905026

<https://www.phoenixcontact.com/pc/products/2905026>

## Plastic label

Plastic label - UC-EMLP (15X5) SR CUS - 0828099

<https://www.phoenixcontact.com/pc/products/0828099>



Plastic label, can be ordered: by sheet, silver, labeled according to customer specifications, mounting type: adhesive, lettering field size: 15 x 5 mm, Number of individual labels: 10

---

## Plastic label

Plastic label - US-EMLP (15X5) - 0828790

<https://www.phoenixcontact.com/pc/products/0828790>



Plastic label, Card, white, unlabeled, can be labeled with: BLUEMARK ID COLOR, BLUEMARK ID, THERMOMARK PRIME, THERMOMARK CARD 2.0, THERMOMARK CARD, mounting type: adhesive, lettering field size: 15 x 5 mm, Number of individual labels: 189

# Signal duplicator - MINI MCR-2-UNI-UI-2UI



2905026

<https://www.phoenixcontact.com/pc/products/2905026>

## Plastic label

Plastic label - US-EMLP (15X5) YE - 0828873

<https://www.phoenixcontact.com/pc/products/0828873>



Plastic label, Card, yellow, unlabeled, can be labeled with: BLUEMARK ID COLOR, BLUEMARK ID, THERMOMARK PRIME, THERMOMARK CARD 2.0, THERMOMARK CARD, mounting type: adhesive, lettering field size: 15 x 5 mm, Number of individual labels: 189

---

## Plastic label

Plastic label - US-EMLP (15X5) SR - 0828874

<https://www.phoenixcontact.com/pc/products/0828874>



Plastic label, Card, silver, unlabeled, can be labeled with: BLUEMARK ID COLOR, BLUEMARK ID, THERMOMARK PRIME, THERMOMARK CARD 2.0, THERMOMARK CARD, mounting type: adhesive, lettering field size: 15 x 5 mm, Number of individual labels: 189

# Signal duplicator - MINI MCR-2-UNI-UI-2UI

2905026

<https://www.phoenixcontact.com/pc/products/2905026>

## Plastic label

Plastic label - US-EMLP (15X5) CUS - 0830076

<https://www.phoenixcontact.com/pc/products/0830076>

Plastic label, can be ordered: by card, white, labeled according to customer specifications, mounting type: adhesive, lettering field size: 15 x 5 mm, Number of individual labels: 189



---

## Plastic label

Plastic label - US-EMLP (15X5) YE CUS - 0830077

<https://www.phoenixcontact.com/pc/products/0830077>

Plastic label, can be ordered: by card, yellow, labeled according to customer specifications, mounting type: adhesive, lettering field size: 15 x 5 mm, Number of individual labels: 189



# Signal duplicator - MINI MCR-2-UNI-UI-2UI



2905026

<https://www.phoenixcontact.com/pc/products/2905026>

## Plastic label

Plastic label - US-EMLP (15X5) SR CUS - 0830078

<https://www.phoenixcontact.com/pc/products/0830078>

Plastic label, can be ordered: by card, silver, labeled according to customer specifications, mounting type: adhesive, lettering field size: 15 x 5 mm, Number of individual labels: 189



---

Phoenix Contact 2022 © - all rights reserved

<https://www.phoenixcontact.com>

PHOENIX CONTACT GmbH & Co. KG

Flachsmarktstraße 8

D-32825 Blomberg

+49 (0) 5235-3 00

[info@phoenixcontact.com](mailto:info@phoenixcontact.com)