

# Lightning/surge arrester type 1/2 - VAL-MS-EE-T1/T2-3+1-335



2910551

<https://www.phoenixcontact.com/in/products/2910551>

Please be informed that the data shown in this PDF document is generated from our Online Catalog. Please find the complete data in the user documentation. Our General Terms of Use for Downloads are valid.

---



Universal varistor-based plug-in lightning/surge arrester for 3-phase power supply networks with separate N and PE (5-conductor system: L1, L2, L3, N, PE), for Lightning Protection Levels III and IV.

---

# Lightning/surge arrester type 1/2 - VAL-MS-EE-T1/T2-3+1-335



2910551

<https://www.phoenixcontact.com/in/products/2910551>

## Commercial Data

Item number	2910551
Packing unit	1 pc
Minimum order quantity	1 pc
Sales Key	CL1
Product Key	CL1327
GTIN	4055626462370
Weight per Piece (including packing)	672.4 g
Weight per Piece (excluding packing)	638 g
Customs tariff number	85363030
Country of origin	DE

# Lightning/surge arrester type 1/2 - VAL-MS-EE-T1/T2-3+1-335

2910551

<https://www.phoenixcontact.com/in/products/2910551>

## Technical Data

### Product properties

IEC test classification	I / II
	T1 / T2
EN type	T1 / T2
IEC power supply system	TT
	TN-S
Type	DIN rail module, two-section, divisible
Product type	Arrester combination
Surge protection fault message	optical

### Insulation characteristics

Overvoltage category	III
Pollution degree	2

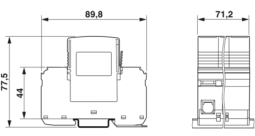
### Electrical properties

Nominal frequency $f_N$	50 Hz (60 Hz)
-------------------------	---------------

### Connection data

Connection method	Screw connection
Screw thread	M5
Tightening torque	3 Nm (1.5 mm <sup>2</sup> ... 16 mm <sup>2</sup> )
	4.5 Nm (25 mm <sup>2</sup> ... 35 mm <sup>2</sup> )
Stripping length	16 mm
Conductor cross section flexible	1.5 mm <sup>2</sup> ... 25 mm <sup>2</sup>
Conductor cross section solid	1.5 mm <sup>2</sup> ... 35 mm <sup>2</sup>
Conductor cross section AWG	15 ... 2
Connection method	Biconnect terminal blocks
Conductor cross section flexible	1.5 mm <sup>2</sup> ... 16 mm <sup>2</sup>

### Dimensions

Dimensional drawing	
Width	71.2 mm
Width	71.2 mm
Height	89.8 mm
Height	89.8 mm
Depth	77.5 mm (incl. DIN rail 7.5 mm)
Depth	77.5 mm
Horizontal pitch	4 Div.

# Lightning/surge arrester type 1/2 - VAL-MS-EE-T1/T2-3+1-335



2910551

<https://www.phoenixcontact.com/in/products/2910551>

## Material specifications

Color	traffic grey B RAL 7043
Flammability rating according to UL 94	V-0
CTI value of material	600
Insulating material	PA 6.6/PBT
Material group	I
Housing material	PA 6.6
	PBT

## Mechanical properties

### Mechanical data

Open side panel	No
-----------------	----

## Protective circuit

Mode of protection	L-N
	L-PE
	N-PE
Direction of action	3L-N & N-PE
Nominal voltage $U_N$	240/415 V AC (TN-S)
	240/415 V AC (TT)
Nominal frequency $f_N$	50 Hz (60 Hz)
Maximum continuous operating voltage $U_C$ (L-N)	335 V AC
Maximum continuous operating voltage $U_C$ (L-PE)	335 V AC
Maximum continuous operating voltage $U_C$ (N-PE)	264 V AC
Rated load current $I_L$	80 A
Residual current $I_{PE}$	$\leq 5 \mu A$
Standby power consumption $P_C$	$\leq 810 \text{ mVA}$
Nominal discharge current $I_n$ (8/20) $\mu s$ (L-N)	12.5 kA
Nominal discharge current $I_n$ (8/20) $\mu s$ (L-PE)	12.5 kA
Nominal discharge current $I_n$ (8/20) $\mu s$ (N-PE)	50 kA
Maximum discharge current $I_{max}$ (8/20) $\mu s$	50 kA
Impulse discharge current (10/350) $\mu s$ (L-N), charge	6.25 As
Impulse discharge current (10/350) $\mu s$ (L-N), specific energy	39 kJ/ $\Omega$
Impulse discharge current (10/350) $\mu s$ (L-N), peak current value $I_{imp}$	12.5 kA
Impulse discharge current (10/350) $\mu s$ (L-PE), charge	6.25 As
Impulse discharge current (10/350) $\mu s$ (L-PE), specific energy	39 kJ/ $\Omega$
Impulse discharge current (10/350) $\mu s$ (L-PE), peak current value $I_{imp}$	12.5 kA
Impulse discharge current (10/350) $\mu s$ (N-PE), charge	25 As
Impulse discharge current (10/350) $\mu s$ (N-PE), specific energy	625 kJ/ $\Omega$
Impulse discharge current (10/350) $\mu s$ (N-PE), peak current value $I_{imp}$	50 kA
Total discharge current $I_{total}$ (8/20) $\mu s$	50 kA

# Lightning/surge arrester type 1/2 - VAL-MS-EE-T1/T2-3+1-335



2910551

<https://www.phoenixcontact.com/in/products/2910551>

Total discharge current $I_{total}$ (10/350) $\mu$ s	50 kA
Follow current interrupt rating $I_{fi}$ (N-PE)	100 A
Short-circuit current rating $I_{SCCR}$	25 kA
Voltage protection level $U_p$ (L-N)	$\leq 1.2$ kV
	$\leq 1.6$ kV (30 kA - 8/20 $\mu$ s)
Voltage protection level $U_p$ (L-PE)	$\leq 2$ kV
Voltage protection level $U_p$ (N-PE)	$\leq 1.7$ kV
Residual voltage $U_{res}$ (L-N)	$\leq 1.2$ kV (at $I_n$ )
	$\leq 1.1$ kV (at 10 kA)
	$\leq 1$ kV (at 5 kA)
	$\leq 0.9$ kV (at 3 kA)
Residual voltage $U_{res}$ (L-PE)	$\leq 2$ kV (at $I_n$ )
	$\leq 1.5$ kV (at 10 kA)
	$\leq 1.2$ kV (at 5 kA)
	$\leq 1.1$ kV (at 3 kA)
Residual voltage $U_{res}$ (N-PE)	$\leq 0.6$ kV (at $I_n$ )
	$\leq 0.5$ kV (at 10 kA)
	$\leq 0.5$ kV (at 5 kA)
	$\leq 0.4$ kV (at 3 kA)
TOV behavior at $U_T$ (L-N)	415 V AC (5 s / withstand mode)
	457 V AC (120 min / safe failure mode)
TOV behavior at $U_T$ (N-PE)	1200 V AC (200 ms / withstand mode)
Response time $t_A$ (L-N)	$\leq 25$ ns
Response time $t_A$ (L-PE)	$\leq 100$ ns
Response time $t_A$ (N-PE)	$\leq 100$ ns
Max. backup fuse with V-type through wiring	80 A (gG - 16 mm <sup>2</sup> )
Max. backup fuse with branch wiring	160 A (gG)

## Environmental and real-life conditions

### Ambient conditions

Degree of protection	IP20 (only when all terminal points are used)
Ambient temperature (operation)	-40 °C ... 80 °C
Ambient temperature (storage/transport)	-40 °C ... 80 °C
Altitude	$\leq 2000$ m (amsl (above mean sea level))
Permissible humidity (operation)	5 % ... 95 %
Shock (operation)	30g (Half-sine / 11 ms / 3x $\pm$ X, $\pm$ Y, $\pm$ Z)
Vibration (operation)	7.5g (10 ... 500 Hz / 2.5 h / X, Y, Z)

## Standards and regulations

Standards/specifications	IEC 61643-11
Standards/specifications	EN 61643-11

## Mounting

Mounting type	DIN rail: 35 mm
---------------	-----------------

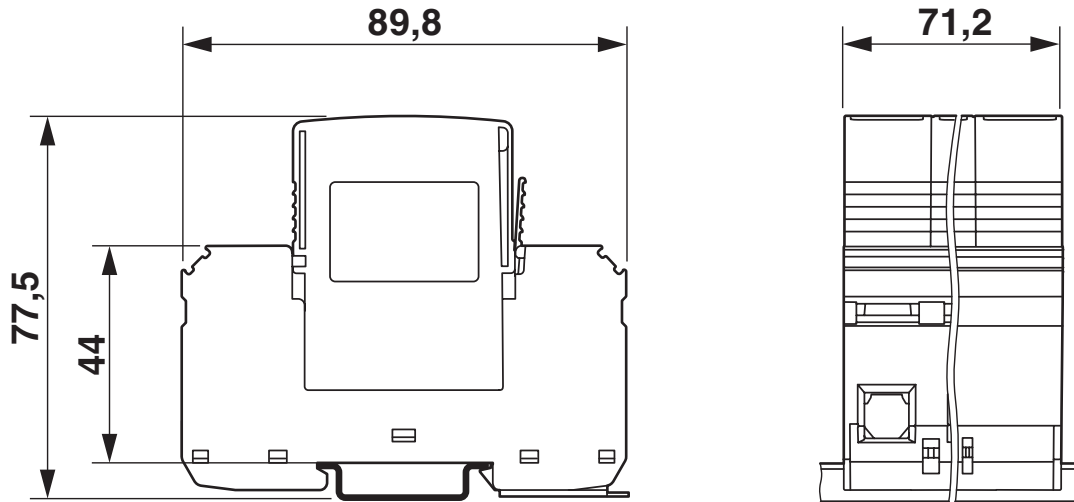
# Lightning/surge arrester type 1/2 - VAL-MS-EE-T1/T2-3+1-335

2910551

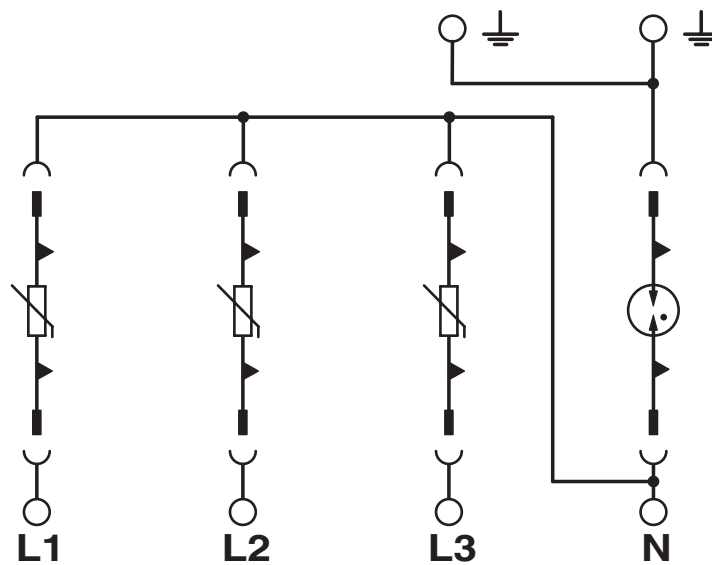
<https://www.phoenixcontact.com/in/products/2910551>

## Drawings

Dimensional drawing



Circuit diagram



# Lightning/surge arrester type 1/2 - VAL-MS-EE-T1/T2-3+1-335



2910551

<https://www.phoenixcontact.com/in/products/2910551>

## Classifications

### ECLASS

ECLASS-9.0	27130805
ECLASS-10.0.1	27130805
ECLASS-11.0	27130805

### ETIM

ETIM 8.0	EC000941
----------	----------

### UNSPSC

UNSPSC 21.0	
-------------	--

# Lightning/surge arrester type 1/2 - VAL-MS-EE-T1/T2-3+1-335



2910551

<https://www.phoenixcontact.com/in/products/2910551>

## Environmental Product Compliance

China RoHS	Environmentally friendly use period: unlimited = EFUP-e
	No hazardous substances above threshold values



# Lightning/surge arrester type 1/2 - VAL-MS-EE-T1/T2-3+1-335

2910551

<https://www.phoenixcontact.com/in/products/2910551>

## Accessories

### Feed-through terminal block

Feed-through terminal block - DK-BIC-35 - 2749880

<https://www.phoenixcontact.com/in/products/2749880>

Feed-through terminal block for VAL and FLT applications



---

### Marker pen

Marker pen - B-STIFT - 1051993

<https://www.phoenixcontact.com/in/products/1051993>

Marker pen, for manual labeling of unprinted Zack strips, smear-proof and waterproof, line thickness 0.5 mm



# Lightning/surge arrester type 1/2 - VAL-MS-EE-T1/T2-3+1-335

2910551

<https://www.phoenixcontact.com/in/products/2910551>

## Zack marker strip

Zack marker strip - ZBN 18:UNBEDRUCKT - 2809128

<https://www.phoenixcontact.com/in/products/2809128>



Zack marker strip, Strip, white, unlabeled, can be labeled with: CMS-P1-PLOTTER, PLOTMARK, mounting type: snap in, for terminal block width: 18 mm, lettering field size: 18 x 5 mm, Number of individual labels: 5

---

## Marker for terminal blocks

Marker for terminal blocks - ZBN 18,LGS:ERDE - 2749589

<https://www.phoenixcontact.com/in/products/2749589>



Marker for terminal blocks, Strip, white, labeled, horizontal: Grounding symbol, mounting type: snap into tall marker groove, for terminal block width: 18 mm, lettering field size: 18 x 5 mm, Number of individual labels: 5

# Lightning/surge arrester type 1/2 - VAL-MS-EE-T1/T2-3+1-335

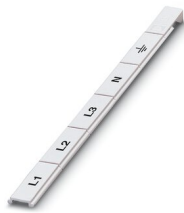
2910551

<https://www.phoenixcontact.com/in/products/2910551>

## Marker for terminal blocks

Marker for terminal blocks - ZBN 18,LGS:L1-N,ERDE - 2749576

<https://www.phoenixcontact.com/in/products/2749576>



Marker for terminal blocks, Strip, white, labeled, horizontal: L1, L2, L3, N, GND, mounting type: snap into tall marker groove, for terminal block width: 18 mm, lettering field size: 18 x 5 mm, Number of individual labels: 5

---

## Type 1/2 surge protection plug

Type 1/2 surge protection plug - VAL-MS-EE-T1/T2-335-P - 2910556

<https://www.phoenixcontact.com/in/products/2910556>



L-N replacement plug for VAL-MS-T1/T2 335/12.5 plug-in lightning/surge arrester.

# Lightning/surge arrester type 1/2 - VAL-MS-EE-T1/T2-3+1-335



2910551

<https://www.phoenixcontact.com/in/products/2910551>

## Type 1/2 surge protection plug

Type 1/2 surge protection plug - F-MS-EE-T1/T2-50-P - 2910557

<https://www.phoenixcontact.com/in/products/2910557>



N-PE replacement plug for VAL-MS-T1/T2 335/12.5 plug-in lightning/surge arrester.

---

Phoenix Contact 2022 © - all rights reserved

<https://www.phoenixcontact.com>

PHOENIX CONTACT (I) Pvt. Ltd.

A-58/2, Okhla Industrial Area, Phase - II, New Delhi-110 020

+91.1275.71420

[info@phoenixcontact.co.in](mailto:info@phoenixcontact.co.in)