

2924087

<https://www.phoenixcontact.com/pc/products/2924087>

Please be informed that the data shown in this PDF document is generated from our Online Catalog. Please find the complete data in the user documentation. Our General Terms of Use for Downloads are valid.



Ex i NAMUR isolating amplifier, 2-channel. For operating proximity sensors and switches in Ex areas. The signals are transmitted via relay outputs (N/O contact) to the safe area. Line fault detection (LFD), 3-way isolation, SIL 2.

## Your advantages

- Power supply and error indication possible via DIN rail connector
- Up to SIL 2 according to EN 61508
- Installation in zone 2, protection type "n" (EN 60079-15) permitted
- Line fault detection (LFD), can be activated/deactivated, error indicated by flashing red LED with de-excitation of output relay
- LED indicators for supply voltage, switching state, and malfunction according to NAMUR NE 44
- 3-way electrical isolation
- Direction of operation can be selected (operating or closed circuit current behavior)
- Relay signal output (N/O contact)
- Input for NAMUR proximity sensors (EN 60947-5-6), floating contacts or contacts with resistance circuit, [Ex ia] IIC
- 2-channel

# Isolation amplifier - MACX MCR-EX-SL-2NAM-RO-SP



2924087

<https://www.phoenixcontact.com/pc/products/2924087>

## Commercial Data

Item number	2924087
Packing unit	1 pc
Minimum order quantity	1 pc
Note	Made to Order (non-returnable)
Product Key	CK3141
Catalog Page	Page 156 (C-5-2019)
GTIN	4046356338042
Weight per Piece (including packing)	184 g
Weight per Piece (excluding packing)	141.5 g
Customs tariff number	85365019
Country of origin	DE

## Technical Data

### Notes

#### Utilization restriction

EMC note	EMC: class A product, see manufacturer's declaration in the download area
----------	---

### Product properties

Product type	Isolating switch transf.
Application	Digital IN
No. of channels	2
Type	Ex i signal conditioners with SIL functional safety
Configuration	DIP switches

### Electrical properties

No. of channels	2
Electrical isolation	3-way isolation
Electrical isolation between input and output	yes
Maximum power dissipation for nominal condition	< 1 W

#### Electrical isolation Input/output

Electrical isolation	375 V (Peak value in accordance with IEC/EN 60079-11)
Overvoltage category	III
Degree of pollution	2

#### Electrical isolation Input/supply, DIN rail connector

Electrical isolation	375 V (Peak value in accordance with IEC/EN 60079-11)
Rated insulation voltage	300 V <sub>rms</sub>
Overvoltage category	II
Degree of pollution	2
Insulation	Safe isolation in accordance with IEC/EN 61010-1

#### Electrical isolation Output 1/output 2/input, power supply, DIN rail connector

Rated insulation voltage	300 V <sub>rms</sub>
Overvoltage category	III
Degree of pollution	2
Insulation	Safe isolation in accordance with IEC/EN 61010-1

#### Electrical isolation Output 1/output 2/input/power supply, DIN rail connector

Test voltage	2.5 kV AC (50 Hz, 60 s)
Overvoltage category	III
Degree of pollution	2

### Supply

Nominal supply voltage	24 V DC -20 % ... +25 %
------------------------	-------------------------

2924087

<https://www.phoenixcontact.com/pc/products/2924087>

Supply voltage range	19.2 V DC ... 30 V DC (24 V DC, -20 % ... +25 %)
Max. current consumption	35 mA (24 V DC)
Power dissipation	< 1 W
Power consumption	0.8 W

## Input data

### Signal

Description of the input	Intrinsically safe
Number of inputs	2
Available input sources	NAMUR proximity sensors (IEC/EN 60947-5-6) Floating switch contacts Switch contacts with resistance circuit
Short-circuit current	8 mA
Switching hysteresis	< 0.2 mA
Line fault detection	< 0.05 mA ... 0.35 mA (Line break) < 100 Ω ... 360 Ω (Short circuit) Activated /deactivated via DIP switch

## Output data

### Switching: Relay

Contact type	1 N/O contact per channel
Contact material	AgSnO <sub>2</sub> , hard gold-plated
Maximum switching voltage	250 V AC (2 A) 120 V DC (0.2 A) 30 V DC (2 A)
Maximum switching capacity	500 VA
Recommended minimum load	5 V / 10 mA
Switching frequency	≤ 20 Hz (without load)

### Signal:

Number of outputs	2
-------------------	---

## Connection data

Connection method	Push-in connection
Stripping length	8 mm
Conductor cross section solid	0.2 mm <sup>2</sup> ... 1.5 mm <sup>2</sup>
Conductor cross section flexible	0.2 mm <sup>2</sup> ... 1.5 mm <sup>2</sup>
Conductor cross section AWG	24 ... 16

## Ex data

### Safety data

Max. internal inductance L <sub>i</sub>	negligible
Max. internal capacitance C <sub>i</sub>	11 nF

# Isolation amplifier - MACX MCR-EX-SL-2NAM-RO-SP



2924087

<https://www.phoenixcontact.com/pc/products/2924087>

Max. output voltage $U_o$	9.6 V
Max. output current $I_o$	10 mA
Max. output power $P_o$	25 mW
Safety-related maximum voltage $U_m$	253 V AC (125 V DC)

## Safety data IIC (simple circuit)

Max. external inductivity $L_o$ / Max. external capacitance $C_o$	300 mH / 3.6 $\mu$ F
---	----------------------

## Safety data IIC (mixed circuit)

Max. external inductivity $L_o$ / Max. external capacitance $C_o$	100 mH / 500 nF
---	-----------------

## Safety data IIC (mixed circuit)

Max. external inductivity $L_o$ / Max. external capacitance $C_o$	50 mH / 570 nF
---	----------------

## Safety data IIC (mixed circuit)

Max. external inductivity $L_o$ / Max. external capacitance $C_o$	5 mH / 590 nF
---	---------------

## Safety data IIC (mixed circuit)

Max. external inductivity $L_o$ / Max. external capacitance $C_o$	1 mH / 590 nF
---	---------------

## Safety data IIC (mixed circuit)

Max. external inductivity $L_o$ / Max. external capacitance $C_o$	10 $\mu$ H / 590 nF
---	---------------------

## Safety data IIB/IIIC (simple circuit)

Max. external inductivity $L_o$ / Max. external capacitance $C_o$	1000 mH / 26 $\mu$ F
---	----------------------

## Safety data I/IIB/IIA/IIIC (mixed circuit)

Max. external inductivity $L_o$ / Max. external capacitance $C_o$	100 mH / 1 $\mu$ F
---	--------------------

## Safety data I/IIB/IIA/IIIC (mixed circuit)

Max. external inductivity $L_o$ / Max. external capacitance $C_o$	5 mH / 1 $\mu$ F
---	------------------

## Safety data I/IIB/IIA/IIIC (mixed circuit)

Max. external inductivity $L_o$ / Max. external capacitance $C_o$	1 mH / 1 $\mu$ F
---	------------------

## Safety data I/IIB/IIA/IIIC (mixed circuit)

Max. external inductivity $L_o$ / Max. external capacitance $C_o$	10 $\mu$ H / 1 $\mu$ F
---	------------------------

## Safety data IIA/I (simple circuit)

Max. external inductivity $L_o$ / Max. external capacitance $C_o$	1000 mH / 210 $\mu$ F
---	-----------------------

## Interfaces

### Data

No. of channels	0
-----------------	---

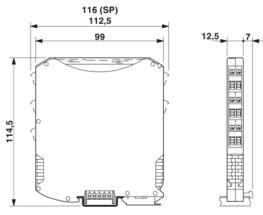
## LED signaling

Status display	Green LED (supply voltage)
	LED yellow (switching state)
	Red LED (line errors)

2924087

<https://www.phoenixcontact.com/pc/products/2924087>

## Dimensions

Dimensional drawing	
Width	12.5 mm
Width	12.5 mm
Height	116 mm
Height	116 mm
Depth	113.7 mm
Depth	114.5 mm (Snapped onto DIN rail NS 35/7,5 in accordance with EN 60715)
Depth	114.5 mm

## Material specifications

Flammability rating according to UL 94	V0 (Housing)
Housing material	PA 6.6-FR

## Environmental and real-life conditions

### Ambient conditions

Degree of protection	IP20 (not assessed by UL)
Ambient temperature (operation)	-40 °C ... 60 °C (Any mounting position)
Ambient temperature (storage/transport)	-40 °C ... 80 °C
Permissible humidity (operation)	5 % ... 95 % (non-condensing)

## Approval data

### CE

Certificate	CE-compliant
Note	and EN 61326

### ATEX

Identification	<input type="checkbox"/> II (1) G [Ex ia Ga] IIC <input type="checkbox"/> II (1) D [Ex ia Da] IIIC <input type="checkbox"/> II 3(1) G Ex ec nC [ia Ga] IIC T4 Gc <input type="checkbox"/> I (M1) [Ex ia Ma] I
Certificate	IBExU 07 ATEX 1069 X

### IECEX

Identification	[Ex ia Ga] IIC [Ex ia Da] IIIC Ex ec nC [ia Ga] IIC T4 Gc
----------------	---

# Isolation amplifier - MACX MCR-EX-SL-2NAM-RO-SP



2924087

<https://www.phoenixcontact.com/pc/products/2924087>

	[Ex ia Ma] I
Certificate	IECEX IBE 08.0001X

## CCC / China-Ex

Identification	[Ex ia Ga] IIC
	[Ex iaD]
	Ex nA nC [ia Ga] IIC T4 Gc
Certificate	NEPSI GYJ20.1311X

## UL, USA / Canada

Identification	UL 61010 Listed
	Class I, Div. 2, Groups A, B, C, D T4
	Class I, Div. 2, Groups IIC, IIB, IIA T4
	Associated apparatus for use in Class I, Division 1, Groups A,B,C,D
	Associated apparatus for use in Class II, Div.1 Groups E,F,D
	Associated apparatus for use in Class III, Division 1
	Associated apparatus for use in Class I, Zone 0,1,2, Groups IIC,IIB,IIA
Certificate	<input type="checkbox"/> , C.D.-No 83104549

## UL, USA / Canada

Identification	Class I Div 2; IS for Class I, II, III Div 1
	UL 61010 Listed
Certificate	<input type="checkbox"/> , C.D.-No 83104549

## KC-s

Identification	[Ex ia] IIC/IIB
Certificate	17-KA4BO-0410X

## Shipbuilding approval

Certificate	DNV GL TAA00000AG
-------------	-------------------

## Safety Integrity Level (SIL, IEC 61508)

Identification	2
----------------	---

## EAC Ex

Identification	<input type="checkbox"/> [Ex ia Ga] IIC
	<input type="checkbox"/> [Ex ia Da] IIIC
Certificate	RU C-DE.AB72.B.00093/19

## INMETRO

Identification	[Ex ia Ga] IIC
	[Ex ia Da] IIIC
	Ex ec nC [ia Ga] IIC T4 Gc
	[Ex ia Ma] I
Certificate	DNV 18.0114 X

## DNV GL data

2924087

<https://www.phoenixcontact.com/pc/products/2924087>

Temperature	B
Humidity	B
Vibration	A
EMC	B
Enclosure	Required protection according to the Rules shall be provided upon installation on board

## EMC data

Electromagnetic compatibility	Conformance with EMC directive
Noise emission	EN 61000-6-4
Noise immunity	EN 61000-6-2 EN 61326

## Electromagnetic HF field

Designation	Electromagnetic RF field
Standards/regulations	EN 61000-4-3
Evaluation criterion	A

## Fast transients (burst)

Designation	Fast transients (burst)
Standards/regulations	EN 61000-4-4
Evaluation criterion	A

## Conducted interference

Designation	Conducted interferences
Standards/regulations	EN 61000-4-6
Evaluation criterion	A

## Standards and regulations

Electrical isolation	3-way isolation
----------------------	-----------------

## GB Standard

Standards/regulations	GB 3626.20
	GB 3836.1
	GB 3836.4
	GB 3836.8
	GB 12476.1
	GB 12476.4

## Mounting

Mounting type	DIN rail mounting
---------------	-------------------



# Isolation amplifier - MACX MCR-EX-SL-2NAM-RO-SP

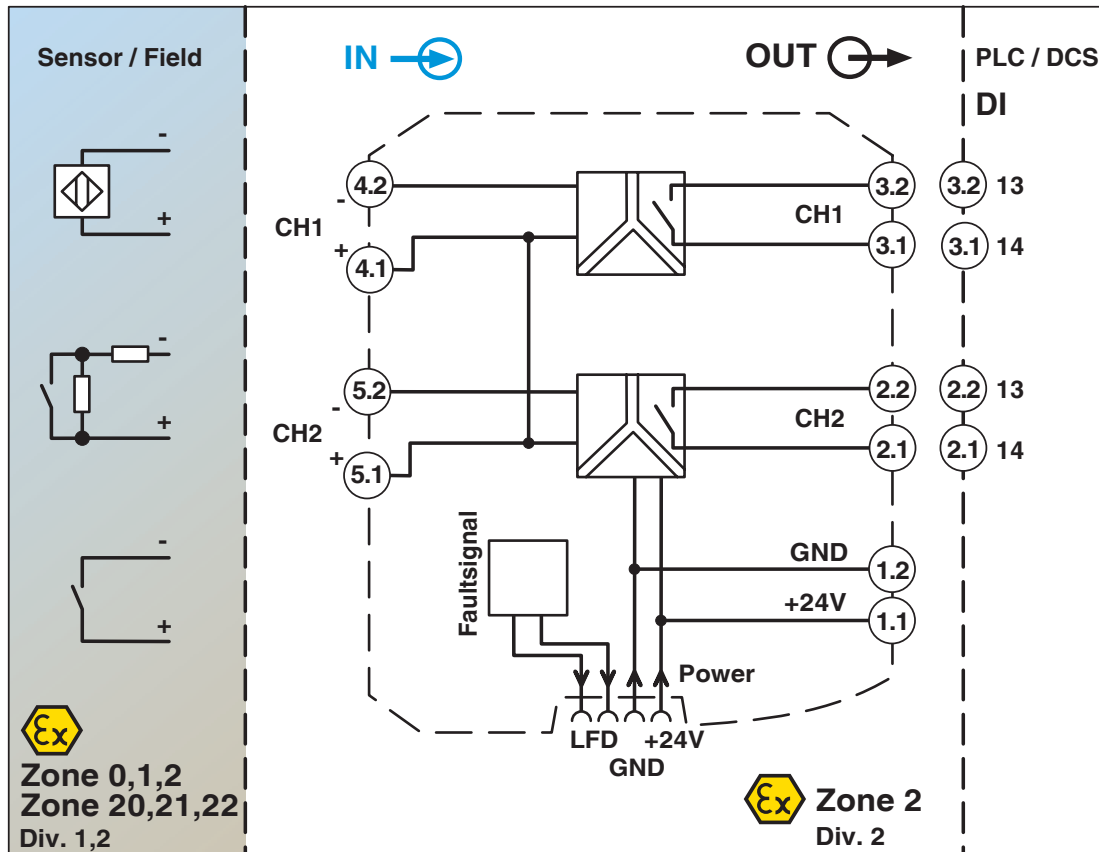


2924087

<https://www.phoenixcontact.com/pc/products/2924087>

## Drawings

Block diagram



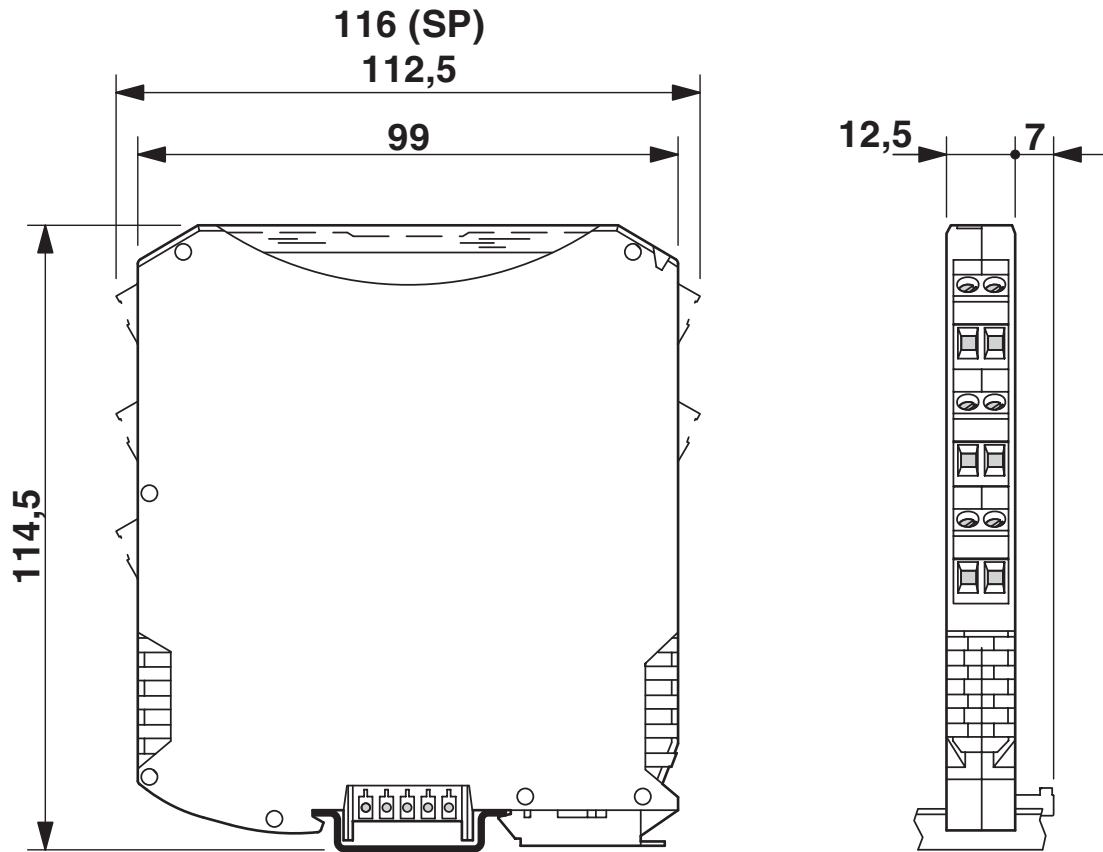
# Isolation amplifier - MACX MCR-EX-SL-2NAM-RO-SP



2924087

<https://www.phoenixcontact.com/pc/products/2924087>

Dimensional drawing



2924087

<https://www.phoenixcontact.com/pc/products/2924087>

## Approvals



**DNV GL**

Approval ID: TAA00000AG



**UL Listed**

Approval ID: FILE E 330267



**CCC**

Approval ID: 2020322 316001513



**cUL Listed**

Approval ID: FILE E 330267

**Functional Safety**

Approval ID: 07-06-39 R005 V2R2



**EAC Ex**

Approval ID: TR TS\_S\_103.01.00078



**IECEX**

Approval ID: IECEX IBE 08.0001X



**cUL Listed**

Approval ID: FILE E 199827



**UL Listed**

Approval ID: FILE E 199827



**ATEX**

Approval ID: IBEU07ATEX1069

**INMETRO**

Approval ID: DNV 18.0114 X

**KC-s**

Approval ID: 17-KA4BO-0410X

# Isolation amplifier - MACX MCR-EX-SL-2NAM-RO-SP



2924087

<https://www.phoenixcontact.com/pc/products/2924087>

cULus Listed

cULus Listed

2924087

<https://www.phoenixcontact.com/pc/products/2924087>

## Classifications

### ECLASS

ECLASS-9.0	27210121
ECLASS-10.0.1	27210121
ECLASS-11.0	27210121

### ETIM

ETIM 8.0	EC001485
----------	----------

### UNSPSC

UNSPSC 21.0	
-------------	--

# Isolation amplifier - MACX MCR-EX-SL-2NAM-RO-SP



2924087

<https://www.phoenixcontact.com/pc/products/2924087>

## Environmental Product Compliance

REACH SVHC	Lead 7439-92-1
China RoHS	Environmentally Friendly Use Period = 50 years
	For information on hazardous substances, refer to the manufacturer's declaration available under "Downloads"

# Isolation amplifier - MACX MCR-EX-SL-2NAM-RO-SP



2924087

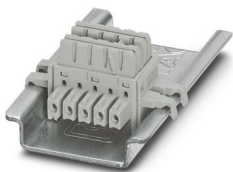
<https://www.phoenixcontact.com/pc/products/2924087>

## Accessories

### DIN rail bus connectors

DIN rail bus connectors - ME 6,2 TBUS-2 1,5/5-ST-3,81 GY - 2695439

<https://www.phoenixcontact.com/pc/products/2695439>



DIN rail connector (TBUS), 5-pos., for bridging the supply voltage, can be snapped onto NS 35/... DIN rails according to EN 60715

---

### End cover

End cover - D-UKK 3/5 - 2770024

<https://www.phoenixcontact.com/pc/products/2770024>



End cover, length: 56 mm, width: 2.5 mm, height: 52 mm, color: gray

2924087

<https://www.phoenixcontact.com/pc/products/2924087>

## End cover

End cover - D-UKK 3/5 BU - 2770105

<https://www.phoenixcontact.com/pc/products/2770105>



End cover, length: 56 mm, width: 2.5 mm, height: 62 mm, color: blue

---

## Insulating sleeve

Insulating sleeve - MPS-IH WH - 0201663

<https://www.phoenixcontact.com/pc/products/0201663>



Insulating sleeve, color: white



2924087

<https://www.phoenixcontact.com/pc/products/2924087>

## Insulating sleeve

Insulating sleeve - MPS-IH RD - 0201676

<https://www.phoenixcontact.com/pc/products/0201676>

Insulating sleeve, color: red



---

## Insulating sleeve

Insulating sleeve - MPS-IH BU - 0201689

<https://www.phoenixcontact.com/pc/products/0201689>

Insulating sleeve, color: blue



2924087

<https://www.phoenixcontact.com/pc/products/2924087>

## Insulating sleeve

Insulating sleeve - MPS-IH YE - 0201692

<https://www.phoenixcontact.com/pc/products/0201692>

Insulating sleeve, color: yellow



---

## Insulating sleeve

Insulating sleeve - MPS-IH GN - 0201702

<https://www.phoenixcontact.com/pc/products/0201702>

Insulating sleeve, color: green



2924087

<https://www.phoenixcontact.com/pc/products/2924087>

## Insulating sleeve

Insulating sleeve - MPS-IH GY - 0201728

<https://www.phoenixcontact.com/pc/products/0201728>

Insulating sleeve, color: gray



---

## Insulating sleeve

Insulating sleeve - MPS-IH BK - 0201731

<https://www.phoenixcontact.com/pc/products/0201731>

Insulating sleeve, color: black



# Isolation amplifier - MACX MCR-EX-SL-2NAM-RO-SP



2924087

<https://www.phoenixcontact.com/pc/products/2924087>

## Device marker

Device marker - LS-EMLP (11X9) WH - 0831678

<https://www.phoenixcontact.com/pc/products/0831678>

Device marker, Sheet, white, unlabeled, can be labeled with: TOPMARK NEO, TOPMARK LASER, mounting type: adhesive, lettering field size: 11 x 9 mm, Number of individual labels: 255



---

## Device marker

Device marker - LS-EMLP (11X9) SR - 0831705

<https://www.phoenixcontact.com/pc/products/0831705>

Device marker, Sheet, silver, unlabeled, can be labeled with: TOPMARK NEO, TOPMARK LASER, mounting type: adhesive, lettering field size: 11 x 9 mm, Number of individual labels: 255



# Isolation amplifier - MACX MCR-EX-SL-2NAM-RO-SP



2924087

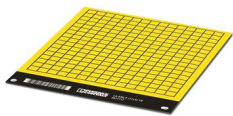
<https://www.phoenixcontact.com/pc/products/2924087>

## Device marker

Device marker - LS-EMLP (11X9) YE - 0831732

<https://www.phoenixcontact.com/pc/products/0831732>

Device marker, Sheet, yellow, unlabeled, can be labeled with: TOPMARK NEO, TOPMARK LASER, mounting type: adhesive, lettering field size: 11 x 9 mm, Number of individual labels: 255



---

## Test plugs

Test plugs - MPS-MT - 0201744

<https://www.phoenixcontact.com/pc/products/0201744>

Test plugs, with solder connection up to 1 mm<sup>2</sup> conductor cross section, color: gray



# Isolation amplifier - MACX MCR-EX-SL-2NAM-RO-SP



2924087

<https://www.phoenixcontact.com/pc/products/2924087>

## Power supply unit

Power supply unit - QUINT4-SYS-PS/1AC/24DC/2.5/SC - 2904614

<https://www.phoenixcontact.com/pc/products/2904614>



Primary-switched power supply unit, QUINT POWER, Screw connection, DIN rail mounting, input: 1-phase, output: 24 V DC / 2.5 A

---

## Power and error message module

Power and error message module - MACX MCR-PTB - 2865625

<https://www.phoenixcontact.com/pc/products/2865625>



Power and fault signaling module with screw connection, including corresponding ME 17,5 TBUS 1,5/ 5-ST-3,81 GY DIN rail connector

# Isolation amplifier - MACX MCR-EX-SL-2NAM-RO-SP



2924087

<https://www.phoenixcontact.com/pc/products/2924087>

## Power and error message module

Power and error message module - MACX MCR-PTB-SP - 2924184

<https://www.phoenixcontact.com/pc/products/2924184>



Power and fault signaling module with Push-in connection, including corresponding ME 17,5 TBUS 1,5/ 5-ST-3,81 GY DIN rail connector

---

## Plastic label

Plastic label - UC-EMLP (11X9) - 0819291

<https://www.phoenixcontact.com/pc/products/0819291>



Plastic label, Sheet, white, unlabeled, can be labeled with: BLUEMARK ID COLOR, BLUEMARK ID, BLUEMARK CLED, PLOTMARK, CMS-P1-PLOTTER, mounting type: adhesive, lettering field size: 11 x 9 mm, Number of individual labels: 10

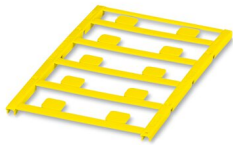
2924087

<https://www.phoenixcontact.com/pc/products/2924087>

## Plastic label

Plastic label - UC-EMLP (11X9) YE - 0822602

<https://www.phoenixcontact.com/pc/products/0822602>



Plastic label, Sheet, yellow, unlabeled, can be labeled with: BLUEMARK ID COLOR, BLUEMARK ID, BLUEMARK CLED, PLOTMARK, CMS-P1-PLOTTER, mounting type: adhesive, lettering field size: 11 x 9 mm, Number of individual labels: 10

---

## Plastic label

Plastic label - UC-EMLP (11X9) CUS - 0824547

<https://www.phoenixcontact.com/pc/products/0824547>



Plastic label, can be ordered: by sheet, white, labeled according to customer specifications, mounting type: adhesive, lettering field size: 11 x 9 mm



2924087

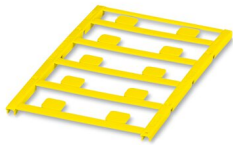
<https://www.phoenixcontact.com/pc/products/2924087>

## Plastic label

Plastic label - UC-EMLP (11X9) YE CUS - 0824548

<https://www.phoenixcontact.com/pc/products/0824548>

Plastic label, can be ordered: by sheet, yellow, labeled according to customer specifications, mounting type: adhesive, lettering field size: 11 x 9 mm



---

## Plastic label

Plastic label - UC-EMLP (11X9) SR - 0828094

<https://www.phoenixcontact.com/pc/products/0828094>

Plastic label, Sheet, silver, unlabeled, can be labeled with: BLUEMARK ID COLOR, BLUEMARK ID, BLUEMARK CLED, PLOTMARK, CMS-P1-PLOTTER, mounting type: adhesive, lettering field size: 11 x 9 mm, Number of individual labels: 10



# Isolation amplifier - MACX MCR-EX-SL-2NAM-RO-SP



2924087

<https://www.phoenixcontact.com/pc/products/2924087>

## Plastic label

Plastic label - UC-EMLP (11X9) SR CUS - 0828098

<https://www.phoenixcontact.com/pc/products/0828098>



Plastic label, can be ordered: by sheet, silver, labeled according to customer specifications, mounting type: adhesive, lettering field size: 11 x 9 mm, Number of individual labels: 10

---

## Plastic label

Plastic label - US-EMLP (11X9) - 0828789

<https://www.phoenixcontact.com/pc/products/0828789>



Plastic label, Card, white, unlabeled, can be labeled with: BLUEMARK ID COLOR, BLUEMARK ID, THERMOMARK PRIME, THERMOMARK CARD 2.0, THERMOMARK CARD, mounting type: adhesive, lettering field size: 11 x 9 mm, Number of individual labels: 135

2924087

<https://www.phoenixcontact.com/pc/products/2924087>

## Plastic label

Plastic label - US-EMLP (11X9) YE - 0828871

<https://www.phoenixcontact.com/pc/products/0828871>



Plastic label, Card, yellow, unlabeled, can be labeled with: BLUEMARK ID COLOR, BLUEMARK ID, THERMOMARK PRIME, THERMOMARK CARD 2.0, THERMOMARK CARD, mounting type: adhesive, lettering field size: 11 x 9 mm, Number of individual labels: 135

---

## Plastic label

Plastic label - US-EMLP (11X9) SR - 0828872

<https://www.phoenixcontact.com/pc/products/0828872>



Plastic label, Card, silver, unlabeled, can be labeled with: BLUEMARK ID COLOR, BLUEMARK ID, THERMOMARK PRIME, THERMOMARK CARD 2.0, THERMOMARK CARD, mounting type: adhesive, lettering field size: 11 x 9 mm, Number of individual labels: 135

# Isolation amplifier - MACX MCR-EX-SL-2NAM-RO-SP



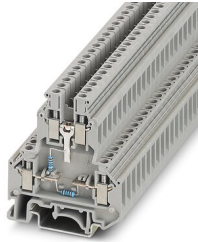
2924087

<https://www.phoenixcontact.com/pc/products/2924087>

## Component terminal block

Component terminal block - UKK 5-2R/NAMUR - 2941662

<https://www.phoenixcontact.com/pc/products/2941662>



Double-level terminal block, with preassembled resistors

---

## Module carrier

Module carrier - TC-D37SUB-AIO16-EX-PS-UNI - 2902932

<https://www.phoenixcontact.com/pc/products/2902932>



Universal termination carrier for connecting 16 MACX Analog Ex i signal conditioners to digital or analog I/O cards, via D-SUB connector, 37-pos. (1:1 connection), with HART multiplexer connection

# Isolation amplifier - MACX MCR-EX-SL-2NAM-RO-SP



2924087

<https://www.phoenixcontact.com/pc/products/2924087>

## Module carrier

Module carrier - TC-D37SUB-ADIO16-EX-P-UNI - 2924854

<https://www.phoenixcontact.com/pc/products/2924854>



Universal termination carrier for connecting 16 MACX Analog Ex i signal conditioners to digital or analog I/O cards, via D-SUB connector, 37-pos. (1:1 connection)

---

Phoenix Contact 2022 © - all rights reserved

<https://www.phoenixcontact.com>

PHOENIX CONTACT GmbH & Co. KG

Flachmarktstraße 8

D-32825 Blomberg

+49 (0) 5235-3 00

[info@phoenixcontact.com](mailto:info@phoenixcontact.com)