

Signal conditioner - MACX MCR-UI-UI-UP-NC



2811297

<https://www.phoenixcontact.com/pc/products/2811297>

Please be informed that the data shown in this PDF document is generated from our Online Catalog. Please find the complete data in the user documentation. Our General Terms of Use for Downloads are valid.



Isolating amplifier with safe electrical isolation and wide-range power supply (24 V ... 230 V AC/DC). DIP switches on the front, over 1600 signal conversions can be set. Standard configuration (IN 0 ... 10 V/OUT 0 ... 20 mA), screw connection, SIL.

Your advantages

- Over 1600 signal conversions can be set via DIP switches on the front
- Up to SIL 2 according to EN 61508
- Installation in zone 2 permitted
- Analog signal conditioner for isolating, filtering, amplifying, and converting standard analog signals
- Configurable input and output signals including bipolar current and voltage signals
- Status indicator for supply voltage
- Wide-range power supply of 19.2 ... 253 V AC/DC
- Plug-in screw or spring-cage connection technology (Push-in technology)
- 3-way electrical isolation
- Active or passive output

Signal conditioner - MACX MCR-UI-UI-UP-NC



2811297

<https://www.phoenixcontact.com/pc/products/2811297>

Commercial Data

Item number	2811297
Packing unit	1 pc
Minimum order quantity	1 pc
Note	Made to Order (non-returnable)
Product Key	CK1111
Catalog Page	Page 118 (C-5-2019)
GTIN	4046356288910
Weight per Piece (including packing)	183.4 g
Weight per Piece (excluding packing)	167.2 g
Customs tariff number	85437090
Country of origin	DE

Technical Data

Notes

Utilization restriction

EMC note	EMC: class A product, see manufacturer's declaration in the download area
----------	---

Product properties

Product type	Signal conditioner
No. of channels	1
Type	Signal conditioners with SIL functional safety
Configuration	DIP switches

Insulation characteristics

Overvoltage category	II
Pollution degree	2

Electrical properties

Alignment span	$\pm 4 \%$
Alignment zero	$\pm 4 \%$
No. of channels	1
Rated insulation voltage	300 V AC (EN 61010-1)
	275 V AC (EN 60079-7)
Electrical isolation between input and output	yes
Limit frequency (3 dB)	10 kHz (Can be switched to 30 Hz)
Maximum power dissipation for nominal condition	< 0.9 W (20 mA)
Protective circuit	Transient protection
Step response (10-90%)	35 μ s (10 kHz)
	11 ms (30 Hz)
Maximum temperature coefficient	0.0075 %/K
Maximum transmission error	$\leq 0.1 \%$ (Compared to the final value)

Electrical isolation Input/output/power supply

Rated insulation voltage	300 V _{rms}
Test voltage	2.5 kV AC (50 Hz, 60 s)
Insulation	Safe isolation in accordance with IEC/EN 61010-1

Supply

Supply voltage range	24 V ... 230 V AC/DC (-20 %/+10 %, 50/60 Hz)
Power dissipation	< 0.8 W (at 24 V DC / 20 mA)
	< 0.9 W (At 230 V AC / 20 mA)

Input data

Signal: Voltage/current input

Signal conditioner - MACX MCR-UI-UI-UP-NC



2811297

<https://www.phoenixcontact.com/pc/products/2811297>

Number of inputs	1
Voltage input signal	0 mV ... 50 mV
	0 mV ... 60 mV
	0 mV ... 75 mV
	0 mV ... 100 mV
	0 mV ... 120 mV
	0 mV ... 150 mV
	0 mV ... 200 mV
	0 mV ... 300 mV
	0 mV ... 500 mV
	0 V ... 1 V
	0 V ... 1.5 V
	0 V ... 2 V
	0 V ... 3 V
	0 V ... 5 V
	0 V ... 10 V (Configurable via DIP switches)
	0 V ... 15 V
	0 V ... 20 V
	0 V ... 30 V
	0 V ... 50 V
	0 V ... 100 V
	-50 mV ... 50 mV
	-60 mV ... 60 mV
	-75 mV ... 75 mV
	-100 mV ... 100 mV
	-120 mV ... 120 mV
	-150 mV ... 150 mV
	-200 mV ... 200 mV
	-300 mV ... 300 mV
	-500 mV ... 500 mV
	-1 V ... 1 V
	-1.5 V ... 1.5 V
	-2 V ... 2 V
	-3 V ... 3 V
	-5 V ... 5 V
	-10 V ... 10 V
	-15 V ... 15 V
	-20 V ... 20 V
	-30 V ... 30 V
	-50 V ... 50 V
	-100 V ... 100 V
1 V ... 5 V	
2 V ... 10 V	
Min. voltage input signal	± 50 mV

Signal conditioner - MACX MCR-UI-UI-UP-NC



2811297

<https://www.phoenixcontact.com/pc/products/2811297>

Max. voltage input signal	± 100 V
Current input signal	0 mA ... 1 mA (Configurable via DIP switches)
	0 mA ... 1.5 mA
	0 mA ... 2 mA
	0 mA ... 3 mA
	0 mA ... 5 mA
	0 mA ... 10 mA
	0 mA ... 15 mA
	0 mA ... 20 mA
	0 mA ... 30 mA
	0 mA ... 50 mA
	0 mA ... 100 mA
	-1 mA ... 1 mA
	-1.5 mA ... 1.5 mA
	-2 mA ... 2 mA
	-3 mA ... 3 mA
	-5 mA ... 5 mA
	-10 mA ... 10 mA
	-15 mA ... 15 mA
	-20 mA ... 20 mA
	-30 mA ... 30 mA
-50 mA ... 50 mA	
-100 mA ... 100 mA	
1 mA ... 5 mA	
2 mA ... 10 mA	
4 mA ... 20 mA	
Minimum current input signal	± 1 mA
Max. current input signal	± 100 mA
Input resistance of voltage input	approx. 1 M Ω (± 1 V DC ... ± 100 V DC)
Input resistance current input	approx. 10 Ω (± 10 mA DC ... ± 100 mA DC)

Output data

Signal: Voltage/current

Output name	Voltage output / current output
Number of outputs	1
Configurable/programmable	Yes, can be switched
Voltage output signal	0 V ... 10 V (Configurable via DIP switches)
	0 V ... 5 V
	2 V ... 10 V
	1 V ... 5 V
	-10 V ... 10 V
	-5 V ... 5 V
	0 V ... 2.5 V

Signal conditioner - MACX MCR-UI-UI-UP-NC

2811297

<https://www.phoenixcontact.com/pc/products/2811297>

	0.5 V ... 2.5 V
	-2.5 V ... 2.5 V
Max. voltage output signal	15 V
Output signal voltage inverse	0 V ... 2.5 V
	0 V ... 5 V
	0 V ... 10 V
Current output signal	0 mA ... 5 mA
	0 mA ... 10 mA
	0 mA ... 20 mA (Configurable via DIP switches)
	1 mA ... 5 mA
	2 mA ... 10 mA
	4 mA ... 20 mA
	-5 mA ... 5 mA
	-10 mA ... 10 mA
	-20 mA ... 20 mA
Max. current output signal	35 mA
Output signal current inverse	0 mA ... 5 mA
	0 mA ... 10 mA
	0 mA ... 20 mA
Load/output load voltage output	$\geq 1 \text{ k}\Omega$ (10 V)
Load/output load current output	$\leq 600 \Omega$ (20 mA; active)
	passive: $\leq (U_B - 2 \text{ V}) / I_{\text{outmax}}$
Ripple	$< 10 \text{ mV}_{\text{rms}}$

Connection data

Connection method	Screw connection
Connection technology	COMBICON
Stripping length	8 mm
Screw thread	M3
Conductor cross section solid	0.2 mm ² ... 2.5 mm ²
Conductor cross section flexible	0.2 mm ² ... 2.5 mm ²
Conductor cross section AWG	24 ... 14

Dimensions

Dimensional drawing	
Width	12.5 mm
Height	112.5 mm
Depth	113.7 mm

Signal conditioner - MACX MCR-UI-UI-UP-NC



2811297

<https://www.phoenixcontact.com/pc/products/2811297>

	114.5 mm (Snapped onto DIN rail NS 35/7,5 in accordance with EN 60715)
--	--

Material specifications

Housing material	PA 6.6-FR
------------------	-----------

Environmental and real-life conditions

Ambient conditions

Degree of protection	IP20 (not assessed by UL)
Ambient temperature (operation)	-20 °C ... 70 °C
Ambient temperature (storage/transport)	-40 °C ... 85 °C

Approval data

CE

Certificate	CE-compliant
-------------	--------------

CE

Identification	<input type="checkbox"/> II 3 G Ex nA IIC T4 Gc
Certificate	BVS 09 ATEX E 028 X

CE

Identification	<input type="checkbox"/> II 3 G Ex nA IIC T4 Gc
Certificate	PxCIF21UKEX2811459X

CE

Identification	Ex ec IIC T4 Gc
Certificate	IECEX BVS 09.0013X

CE

Identification	Ex nA IIC T4 Gc
----------------	-----------------

CE

Identification	UL 61010 Listed
	Class I, Div. 2, Groups A, B, C, D T4
	Class I, Zone 2, Group IIC

CE

Certificate	DNV GL TAA00000AG
-------------	-------------------

CE

Identification	2
----------------	---

CE

Identification	Ex ec IIC T4 Gc
Certificate	DNV 21.0125 X

CE

Identification	<input type="checkbox"/> 2Ex ec IIC T4 Gc
----------------	---

Signal conditioner - MACX MCR-UI-UI-UP-NC



2811297

<https://www.phoenixcontact.com/pc/products/2811297>

Certificate	BY/112 02.01 TP012 103.01 00078
-------------	---------------------------------

DNV GL data

Temperature	B
Humidity	B
Vibration	A
EMC	B
Enclosure	Required protection according to the Rules shall be provided upon installation on board

EMC data

Electromagnetic compatibility	Conformance with EMC directive
Noise emission	EN 61000-6-4
Noise immunity	EN 61000-6-2
Note	When being exposed to interference, there may be minimal deviations.

Electromagnetic HF field

Designation	Electromagnetic RF field
Standards/regulations	EN 61000-4-3
Typical deviation from the measuring range final value	1.9 %

Fast transients (burst)

Designation	Fast transients (burst)
Standards/regulations	EN 61000-4-4
Typical deviation from the measuring range final value	2 %

Conducted interference

Designation	Conducted interferences
Standards/regulations	EN 61000-4-6
Typical deviation from the measuring range final value	4.6 %

Standards and regulations

GB Standard

Standards/regulations	GB 3836.1
	GB 3836.8

Mounting

Mounting type	DIN rail mounting
Mounting position	any

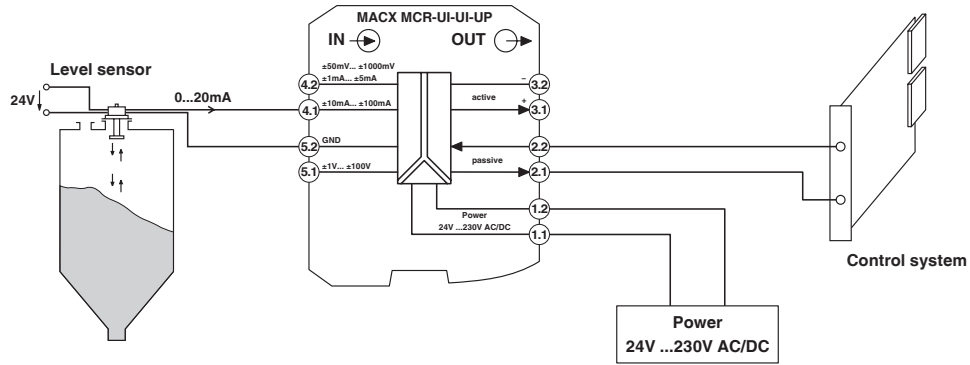
Signal conditioner - MACX MCR-UI-UI-UP-NC

2811297

<https://www.phoenixcontact.com/pc/products/2811297>

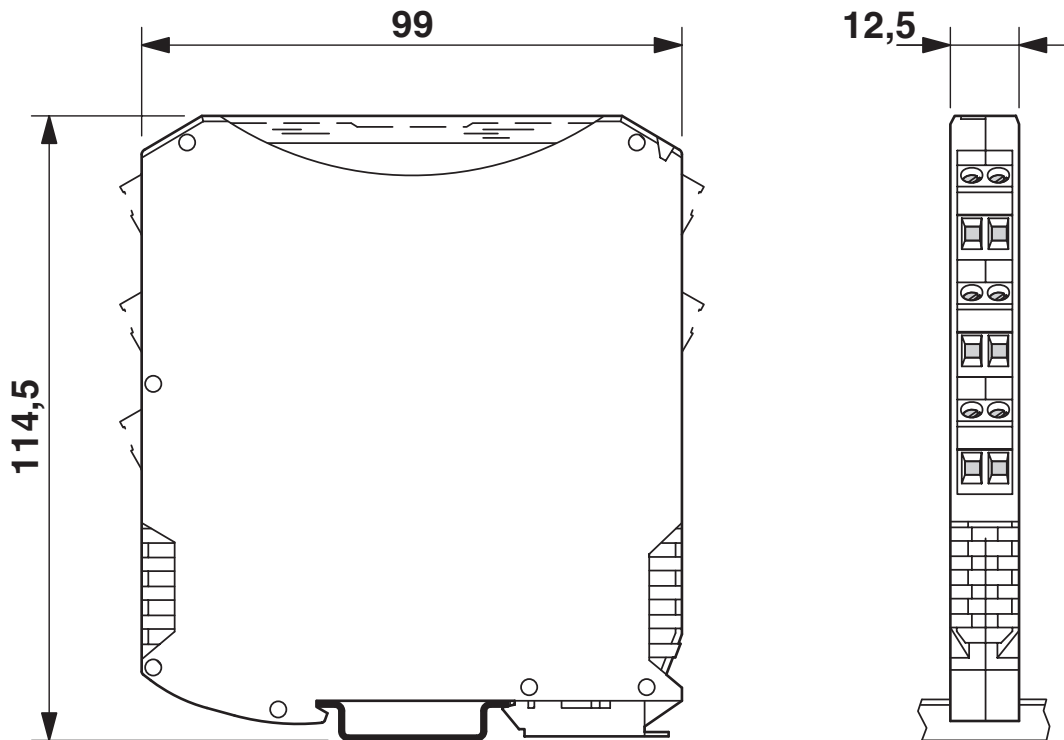
Drawings

Application drawing



Level measurement with analog input terminals (active input card)

Dimensional drawing



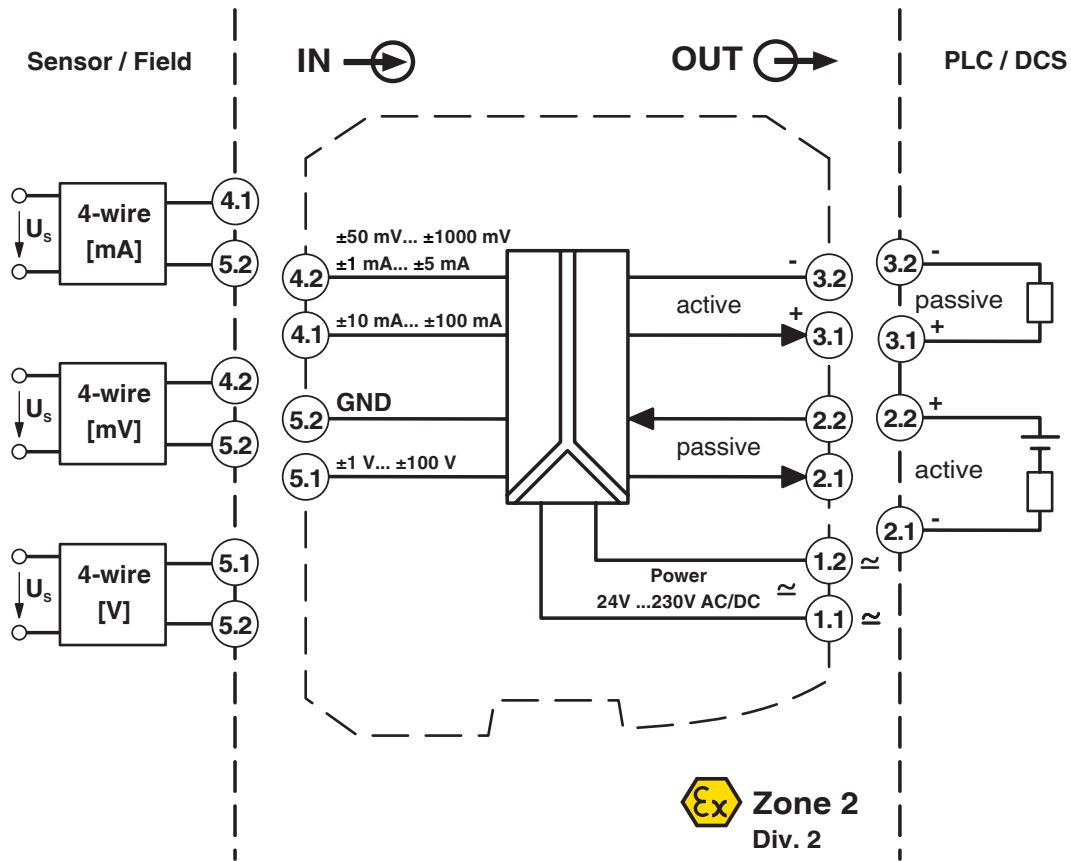
Signal conditioner - MACX MCR-UI-UI-UP-NC



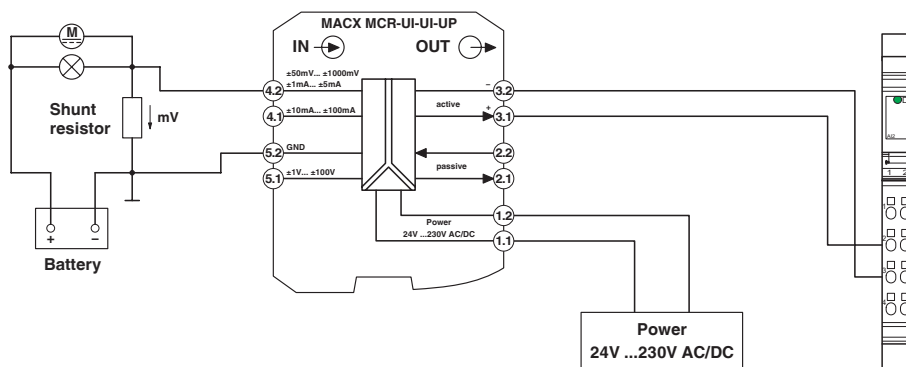
2811297

<https://www.phoenixcontact.com/pc/products/2811297>

Block diagram



Application drawing



Shunt measurement and Inline terminal with analog input channels within an Inline station (passive input card)

Signal conditioner - MACX MCR-UI-UI-UP-NC



2811297

<https://www.phoenixcontact.com/pc/products/2811297>

Approvals



DNV GL

Approval ID: TAA00000AG



UL Listed

Approval ID: FILE E 330267



CCC

Approval ID: 2021122304114078



cUL Listed

Approval ID: FILE E 330267

Functional Safety

Approval ID: BVS Pb 02/09



EAC Ex

Approval ID: RU C-DE.AB72.B.02066



cUL Listed

Approval ID: FILE E 199827



UL Listed

Approval ID: FILE E 199827



IECEx

Approval ID: IECEx BVS 09.0013X



ATEX

Approval ID: BVS 09 ATEX E 028 X

INMETRO

Approval ID: DNV 21.0125 X

cULus Listed

Signal conditioner - MACX MCR-UI-UI-UP-NC

2811297

<https://www.phoenixcontact.com/pc/products/2811297>



cULus Listed

Signal conditioner - MACX MCR-UI-UI-UP-NC



2811297

<https://www.phoenixcontact.com/pc/products/2811297>

Classifications

ECLASS

ECLASS-9.0	27210120
ECLASS-10.0.1	27210120
ECLASS-11.0	27210120

ETIM

ETIM 8.0	EC002653
----------	----------

UNSPSC

UNSPSC 21.0	39121000
-------------	----------

Signal conditioner - MACX MCR-UI-UI-UP-NC



2811297

<https://www.phoenixcontact.com/pc/products/2811297>

Environmental Product Compliance

REACH SVHC	Lead 7439-92-1
China RoHS	Environmentally Friendly Use Period = 50 years
	For information on hazardous substances, refer to the manufacturer's declaration available under "Downloads"

Signal conditioner - MACX MCR-UI-UI-UP-NC

2811297

<https://www.phoenixcontact.com/pc/products/2811297>



Accessories

Insulating sleeve

Insulating sleeve - MPS-IH WH - 0201663

<https://www.phoenixcontact.com/pc/products/0201663>

Insulating sleeve, color: white



Insulating sleeve

Insulating sleeve - MPS-IH RD - 0201676

<https://www.phoenixcontact.com/pc/products/0201676>

Insulating sleeve, color: red



Signal conditioner - MACX MCR-UI-UI-UP-NC

2811297

<https://www.phoenixcontact.com/pc/products/2811297>

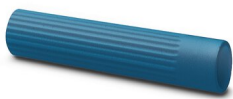


Insulating sleeve

Insulating sleeve - MPS-IH BU - 0201689

<https://www.phoenixcontact.com/pc/products/0201689>

Insulating sleeve, color: blue



Insulating sleeve

Insulating sleeve - MPS-IH YE - 0201692

<https://www.phoenixcontact.com/pc/products/0201692>

Insulating sleeve, color: yellow



Signal conditioner - MACX MCR-UI-UI-UP-NC

2811297

<https://www.phoenixcontact.com/pc/products/2811297>



Insulating sleeve

Insulating sleeve - MPS-IH GN - 0201702

<https://www.phoenixcontact.com/pc/products/0201702>

Insulating sleeve, color: green



Insulating sleeve

Insulating sleeve - MPS-IH GY - 0201728

<https://www.phoenixcontact.com/pc/products/0201728>

Insulating sleeve, color: gray



Signal conditioner - MACX MCR-UI-UI-UP-NC

2811297

<https://www.phoenixcontact.com/pc/products/2811297>

Insulating sleeve

Insulating sleeve - MPS-IH BK - 0201731

<https://www.phoenixcontact.com/pc/products/0201731>

Insulating sleeve, color: black

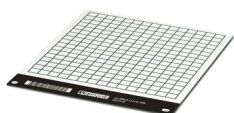


Device marker

Device marker - LS-EMLP (11X9) WH - 0831678

<https://www.phoenixcontact.com/pc/products/0831678>

Device marker, Sheet, white, unlabeled, can be labeled with: TOPMARK NEO, TOPMARK LASER, mounting type: adhesive, lettering field size: 11 x 9 mm, Number of individual labels: 255



Signal conditioner - MACX MCR-UI-UI-UP-NC

2811297

<https://www.phoenixcontact.com/pc/products/2811297>

Device marker

Device marker - LS-EMLP (11X9) SR - 0831705

<https://www.phoenixcontact.com/pc/products/0831705>

Device marker, Sheet, silver, unlabeled, can be labeled with: TOPMARK NEO, TOPMARK LASER, mounting type: adhesive, lettering field size: 11 x 9 mm, Number of individual labels: 255

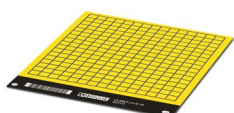


Device marker

Device marker - LS-EMLP (11X9) YE - 0831732

<https://www.phoenixcontact.com/pc/products/0831732>

Device marker, Sheet, yellow, unlabeled, can be labeled with: TOPMARK NEO, TOPMARK LASER, mounting type: adhesive, lettering field size: 11 x 9 mm, Number of individual labels: 255



Signal conditioner - MACX MCR-UI-UI-UP-NC

2811297

<https://www.phoenixcontact.com/pc/products/2811297>

Test plugs

Test plugs - MPS-MT - 0201744

<https://www.phoenixcontact.com/pc/products/0201744>



Test plugs, with solder connection up to 1 mm² conductor cross section, color: gray

Power supply unit

Power supply unit - QUINT4-SYS-PS/1AC/24DC/2.5/SC - 2904614

<https://www.phoenixcontact.com/pc/products/2904614>



Primary-switched power supply unit, QUINT POWER, Screw connection, DIN rail mounting, input: 1-phase, output: 24 V DC / 2.5 A

Signal conditioner - MACX MCR-UI-UI-UP-NC

2811297

<https://www.phoenixcontact.com/pc/products/2811297>

Power and error message module

Power and error message module - MACX MCR-PTB - 2865625

<https://www.phoenixcontact.com/pc/products/2865625>



Power and fault signaling module with screw connection, including corresponding ME 17,5 TBUS 1,5/ 5-ST-3,81 GY DIN rail connector

Power and error message module

Power and error message module - MACX MCR-PTB-SP - 2924184

<https://www.phoenixcontact.com/pc/products/2924184>



Power and fault signaling module with Push-in connection, including corresponding ME 17,5 TBUS 1,5/ 5-ST-3,81 GY DIN rail connector

Signal conditioner - MACX MCR-UI-UI-UP-NC

2811297

<https://www.phoenixcontact.com/pc/products/2811297>

Plastic label

Plastic label - UC-EMLP (11X9) - 0819291

<https://www.phoenixcontact.com/pc/products/0819291>

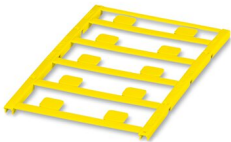


Plastic label, Sheet, white, unlabeled, can be labeled with: BLUEMARK ID COLOR, BLUEMARK ID, BLUEMARK CLED, PLOTMARK, CMS-P1-PLOTTER, mounting type: adhesive, lettering field size: 11 x 9 mm, Number of individual labels: 10

Plastic label

Plastic label - UC-EMLP (11X9) YE - 0822602

<https://www.phoenixcontact.com/pc/products/0822602>



Plastic label, Sheet, yellow, unlabeled, can be labeled with: BLUEMARK ID COLOR, BLUEMARK ID, BLUEMARK CLED, PLOTMARK, CMS-P1-PLOTTER, mounting type: adhesive, lettering field size: 11 x 9 mm, Number of individual labels: 10

Signal conditioner - MACX MCR-UI-UI-UP-NC



2811297

<https://www.phoenixcontact.com/pc/products/2811297>

Plastic label

Plastic label - UC-EMLP (11X9) CUS - 0824547

<https://www.phoenixcontact.com/pc/products/0824547>

Plastic label, can be ordered: by sheet, white, labeled according to customer specifications, mounting type: adhesive, lettering field size: 11 x 9 mm

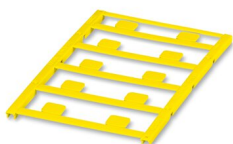


Plastic label

Plastic label - UC-EMLP (11X9) YE CUS - 0824548

<https://www.phoenixcontact.com/pc/products/0824548>

Plastic label, can be ordered: by sheet, yellow, labeled according to customer specifications, mounting type: adhesive, lettering field size: 11 x 9 mm



Signal conditioner - MACX MCR-UI-UI-UP-NC

2811297

<https://www.phoenixcontact.com/pc/products/2811297>

Plastic label

Plastic label - UC-EMLP (11X9) SR - 0828094

<https://www.phoenixcontact.com/pc/products/0828094>



Plastic label, Sheet, silver, unlabeled, can be labeled with: BLUEMARK ID COLOR, BLUEMARK ID, BLUEMARK CLED, PLOTMARK, CMS-P1-PLOTTER, mounting type: adhesive, lettering field size: 11 x 9 mm, Number of individual labels: 10

Plastic label

Plastic label - UC-EMLP (11X9) SR CUS - 0828098

<https://www.phoenixcontact.com/pc/products/0828098>



Plastic label, can be ordered: by sheet, silver, labeled according to customer specifications, mounting type: adhesive, lettering field size: 11 x 9 mm, Number of individual labels: 10

Signal conditioner - MACX MCR-UI-UI-UP-NC



2811297

<https://www.phoenixcontact.com/pc/products/2811297>

Plastic label

Plastic label - US-EMLP (11X9) - 0828789

<https://www.phoenixcontact.com/pc/products/0828789>



Plastic label, Card, white, unlabeled, can be labeled with: BLUEMARK ID COLOR, BLUEMARK ID, THERMOMARK PRIME, THERMOMARK CARD 2.0, THERMOMARK CARD, mounting type: adhesive, lettering field size: 11 x 9 mm, Number of individual labels: 135

Plastic label

Plastic label - US-EMLP (11X9) YE - 0828871

<https://www.phoenixcontact.com/pc/products/0828871>



Plastic label, Card, yellow, unlabeled, can be labeled with: BLUEMARK ID COLOR, BLUEMARK ID, THERMOMARK PRIME, THERMOMARK CARD 2.0, THERMOMARK CARD, mounting type: adhesive, lettering field size: 11 x 9 mm, Number of individual labels: 135

Signal conditioner - MACX MCR-UI-UI-UP-NC



2811297

<https://www.phoenixcontact.com/pc/products/2811297>

Plastic label

Plastic label - US-EMLP (11X9) SR - 0828872

<https://www.phoenixcontact.com/pc/products/0828872>



Plastic label, Card, silver, unlabeled, can be labeled with: BLUEMARK ID COLOR, BLUEMARK ID, THERMOMARK PRIME, THERMOMARK CARD 2.0, THERMOMARK CARD, mounting type: adhesive, lettering field size: 11 x 9 mm, Number of individual labels: 135

Phoenix Contact 2022 © - all rights reserved

<https://www.phoenixcontact.com>

PHOENIX CONTACT GmbH & Co. KG

Flachsmarktstraße 8

D-32825 Blomberg

+49 (0) 5235-3 00

info@phoenixcontact.com