

# Signal conditioner - MCR-C-I-I-00-DC

2814508

<https://www.phoenixcontact.com/fi/tuotteet/2814508>

Huomioi, että tässä ilmoitetut tiedot ovat peräisin online-luettelosta. Täydelliset tiedot löydät käyttöohjeesta. Internet-latausten yleiset käyttöehdot ovat voimassa.

---



MCR 3-way signal conditioner, for electrical isolation of analog signals, input signal: 0(4) mA ... 20 mA, output signal: 0(4) mA ... 20 mA. Replacement part: 2901998 MINI MCR-2-I-I.

---

## Edut

- Fixed setting of input and output signals
- Processing of standard signals
- 3-way isolation

# Signal conditioner - MCR-C-I-I-00-DC



2814508

<https://www.phoenixcontact.com/fi/tuotteet/2814508>

## Kaupalliset tiedot

Tuotenumero	2814508
Pakkausyksikkö	5 Kappaletta
Vähimmäistilausmäärä	1 Kappaletta
Tuoteavain	CK1811
Tuotekoodi	CK1811
Luettelosivu	Sivu 131 (C-7-2013)
GTIN	4017918156190
Paino kappaletta kohti (sis. pakkauksen)	81,66 g
Paino kappaletta kohti (ilman pakkausta)	74,46 g
Tullitariffinumero	85437090
Alkuperämaa	DE

# Signal conditioner - MCR-C-I-I-00-DC



2814508

<https://www.phoenixcontact.com/fi/tuotteet/2814508>

## Tekniset tiedot

### Notes

#### Utilization restriction

EMC note	EMC: class A product, see manufacturer's declaration in the download area
----------	---

### Product properties

Product type	Signal conditioner
No. of channels	1

### Electrical properties

No. of channels	1
Electrical isolation between input and output	yes
Limit frequency (3 dB)	30 Hz
Maximum power dissipation for nominal condition	450 mW
Test voltage, input/output/supply	1.5 kV AC (50 Hz, 60 s)
Protective circuit	Transient protection
Step response (10-90%)	11 ms
Maximum temperature coefficient	< 0.015 %/K
Maximum transmission error	≤ 0.2 % (of final value)
Transmission error, typical	0.1 % (of final value)

#### Supply

Supply voltage range	20 V DC ... 30 V DC
Typical current consumption	< 15 mA (without load)

### Input data

#### Signal

Description of the input	Current input
Number of inputs	1
Configurable/programmable	no
Current input signal	0 mA ... 20 mA 4 mA ... 20 mA
Max. current input signal	50 mA
Input resistance current input	50 Ω

### Output data

#### Signal:

Output name	Current output
Number of outputs	1
Configurable/programmable	no
Current output signal	0 mA ... 20 mA

# Signal conditioner - MCR-C-I-I-00-DC

2814508

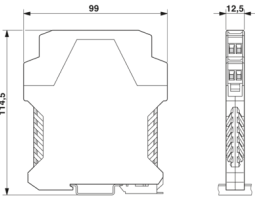
<https://www.phoenixcontact.com/fi/tuotteet/2814508>

	4 mA ... 20 mA
Max. current output signal	30 mA
Load/output load current output	$\leq 500 \Omega$
Linear transmission range (in reference to the output range end value)	0 % ... 105 %

## Connection data

Connection method	Pluggable screw connection
Stripping length	8 mm
Screw thread	M3
Conductor cross section solid	0.2 mm <sup>2</sup> ... 2.5 mm <sup>2</sup>
Conductor cross section flexible	0.2 mm <sup>2</sup> ... 2.5 mm <sup>2</sup>
Conductor cross section AWG	24 ... 14

## Dimensions

Mittapiirros	
Width	12.5 mm
Height	99 mm
Depth	114.5 mm

## Material specifications

Housing material	Polyamide PA non-reinforced
------------------	-----------------------------

## Environmental and real-life conditions

### Ambient conditions

Ambient temperature (operation)	-25 °C ... 60 °C
---------------------------------	------------------

## Approval data

### CE

Certificate	CE-compliant
-------------	--------------

## Mounting

Mounting type	DIN rail mounting
Mounting position	any

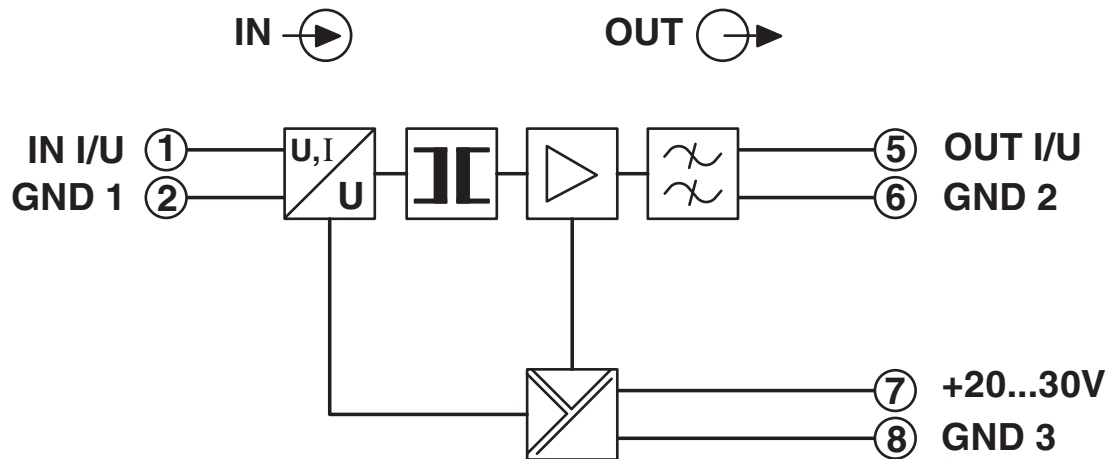
# Signal conditioner - MCR-C-I-I-00-DC

2814508

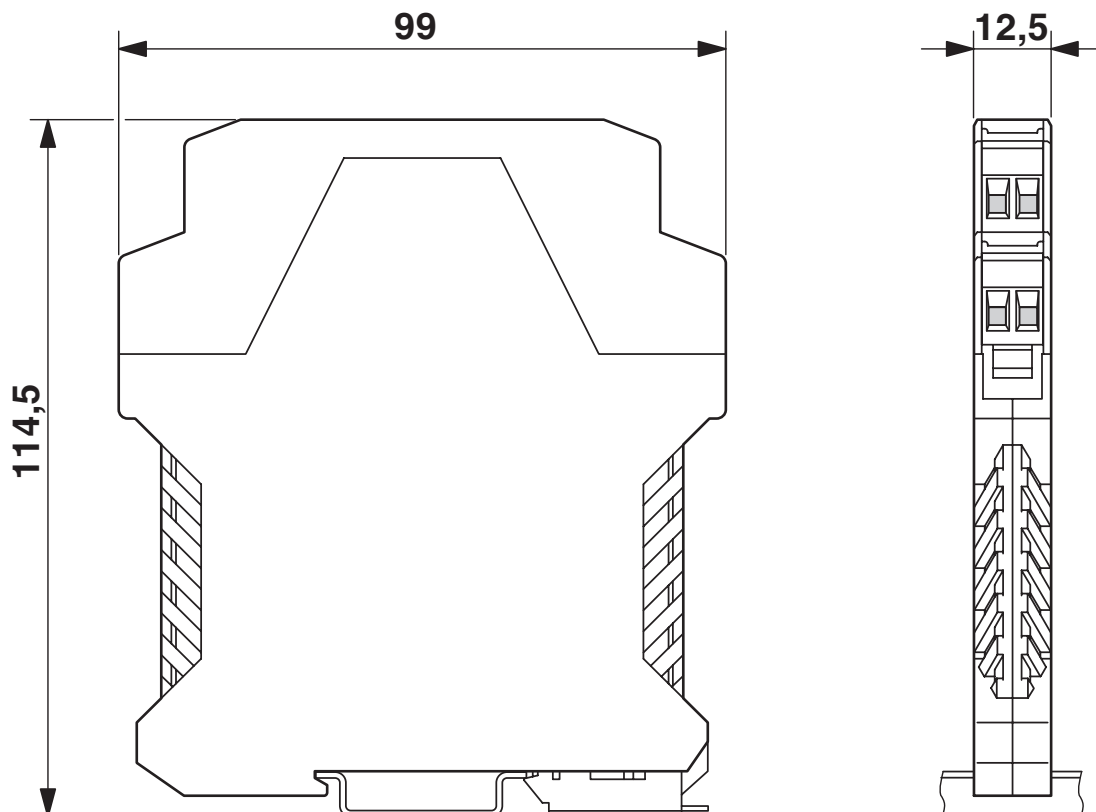
<https://www.phoenixcontact.com/fi/tuotteet/2814508>

## Piirustukset

Circuit diagram



Dimensional drawing




# Signal conditioner - MCR-C-I-I-00-DC




2814508

<https://www.phoenixcontact.com/fi/tuotteet/2814508>

## Hyväksynät

 cUL Recognized

 UL Recognized

 EAC

cULus Recognized

# Signal conditioner - MCR-C-I-I-00-DC



2814508

<https://www.phoenixcontact.com/fi/tuotteet/2814508>

## Luokitukset

### ECLASS

ECLASS-9.0	27210120
ECLASS-10.0.1	27210120
ECLASS-11.0	27210120

### ETIM

ETIM 8.0	EC002653
----------	----------

### UNSPSC

UNSPSC 21.0	39121000
-------------	----------

# Signal conditioner - MCR-C-I-I-00-DC



2814508

<https://www.phoenixcontact.com/fi/tuotteet/2814508>

## Environmental Product Compliance

REACH SVHC	Lead 7439-92-1
China RoHS	Environmentally Friendly Use Period = 50 years
	For information on hazardous substances, refer to the manufacturer's declaration available under "Downloads"

Phoenix Contact 2022 © – Kaikki oikeudet pidätetään.

<https://www.phoenixcontact.com>

PHOENIX CONTACT OY

Niittytie 11

FI-01300 Vantaa

+358 (0)9 350 9020

[myynti@phoenixcontact.com](mailto:myynti@phoenixcontact.com)