

Power/input isolating amplifier - MACX MCR-EX-SL-RPSSI-I



2865340

<https://www.phoenixcontact.com/pc/products/2865340>

Please be informed that the data shown in this PDF document is generated from our Online Catalog. Please find the complete data in the user documentation. Our General Terms of Use for Downloads are valid.



Ex i repeater power supply and input signal conditioner, HART-transparent. Transmits supplied or active 0/4 ... 20 mA signals from the Ex area to a load (active or passive) in the safe area. 3-way electrical isolation, SIL 2 in accordance with IEC 61508, with screw connection

Your advantages

- 0/4 mA ... 20 mA input, intrinsically safe, [Ex ia], powered and not powered
- Measuring transducer supply voltage > 16 V
- 0/4 mA ... 20 mA output, active up to 1000 Ω load or passive
- Bidirectional HART signal transmission
- Error indication according to NAMUR NE 43
- SIL 2 according to IEC/EN 61508
- Installation in zone 2, protection type "ec" (EN 60079-7) permitted
- 3-way electrical isolation
- Power supply possible via DIN rail connector
- Plug-in connection terminal blocks, screw connection technology, with integrated sockets for HART communicators
- Housing width: 12.5 mm
- Minimal power dissipation
- High transmission accuracy

Commercial Data

Item number	2865340
Packing unit	1 pc
Minimum order quantity	1 pc
Product Key	CK3111
Catalog Page	Page 142 (C-5-2019)
GTIN	4046356160353
Weight per Piece (including packing)	181.5 g
Weight per Piece (excluding packing)	160 g
Customs tariff number	85437090
Country of origin	DE

Power/input isolating amplifier - MACX MCR-EX-SL-RPSSI-I



2865340

<https://www.phoenixcontact.com/pc/products/2865340>

Technical Data

Notes

Utilization restriction

EMC note	EMC: class A product, see manufacturer's declaration in the download area
----------	---

Product properties

Product type	Repeater power supplies
Application	Analog IN
No. of channels	1
Type	Ex i signal conditioners with SIL functional safety

Insulation characteristics

Overvoltage category	II
Pollution degree	2

Electrical properties

No. of channels	1
Electrical isolation	3-way isolation
Electrical isolation between input and output	yes
Maximum power dissipation for nominal condition	0.95 W (20 mA, 250 Ω)
Signal transmission behavior	In = Out
Step response (10-90%)	< 200 μs (for jump 4 mA ... 20 mA, load 600 Ω) < 600 μs (for jump 0 mA ... 20 mA, load 600 Ω)
Maximum temperature coefficient	< 0.01 %/K
Temperature coefficient, typical	< 0.004 %/K
Maximum transmission error	< 0.1 % (of final value)
Transmission error, typical	< 0.05 % (of final value)
Reverse polarity protection	yes

Electrical isolation Input/output/power supply

Rated insulation voltage	300 V _{rms}
Test voltage	2.5 kV AC (50 Hz, 60 s)
Insulation	Safe isolation in accordance with IEC/EN 61010-1

Electrical isolation Input/output

Electrical isolation	375 V _{PP} (Peak value in accordance with IEC/EN 60079-11) 265 V AC/DC (Peak value in accordance with IEC/EN 60079-11)
----------------------	--

Electrical isolation Input/power supply

Electrical isolation	375 V _{PP} (Peak value in accordance with IEC/EN 60079-11) 265 V AC/DC (Peak value in accordance with IEC/EN 60079-11)
----------------------	--

Electrical isolation Output/supply

Power/input isolating amplifier - MACX MCR-EX-SL-RPSSI-I



2865340

<https://www.phoenixcontact.com/pc/products/2865340>

Electrical isolation	265 V AC/DC (Peak value in accordance with IEC/EN 60079-7)
----------------------	--

Supply

Designation	Repeater power supply operation
Nominal supply voltage	24 V DC
Supply voltage range	19.2 V DC ... 30 V DC (24 V DC, -20 % ... +25 %)
Max. current consumption	< 76 mA (24 V DC / 20 mA / 1000 Ω) < 55 mA (24 V DC / 20 mA / 250 Ω)
Power dissipation	< 1.1 W (24 V DC / 20 mA / 1000 Ω) < 0.95 W (24 V DC / 20 mA / 250 Ω) < 1.2 W (24 V DC / 20 mA / 0 Ω)
Power consumption	< 1.8 W (20 mA / 1000 Ω) < 1.3 W (20 mA / 250 Ω)

Supply

Designation	Signal conditioner operation
Nominal supply voltage	24 V DC
Supply voltage range	19.2 V DC ... 30 V DC (24 V DC, -20 % ... +25 %)
Max. current consumption	< 44 mA (24 V DC / 20 mA / 1000 Ω) < 27 mA (24 V DC / 20 mA / 250 Ω)
Power dissipation	< 0.75 W (24 V DC / 20 mA / 1000 Ω) < 0.65 W (24 V DC / 20 mA / 250 Ω) < 0.95 W (24 V DC / 20 mA / 0 Ω)

Input data

Signal

Description of the input	Active current input, intrinsically safe
Number of inputs	1
Input signal	Current
Current input signal	4 mA ... 20 mA
Current limitation	25 mA
Transmitter supply voltage	> 16 V (20 mA) > 15.3 V (22.5 mA)
Polarization and surge protection	Yes
Underload/overload signal range	0 mA ... 24 mA (Extended transmission range for diagnostics)

Signal

Description of the input	Passive current input, intrinsically safe
Current input signal	0 mA ... 20 mA 4 mA ... 20 mA
Voltage drop	< 3.5 V (in input isolating amplifier operation)
Underload/overload signal range	0 mA ... 24 mA (Extended transmission range for diagnostics)

Output data

Power/input isolating amplifier - MACX MCR-EX-SL-RPSSI-I



2865340

<https://www.phoenixcontact.com/pc/products/2865340>

Signal: Repeater power supply operation

Output description	Current output (active and passive)
Number of outputs	1
Current output signal	4 mA ... 20 mA (active)
	4 mA ... 20 mA (14 ... 26 V ext. source voltage)
Load/output load current output	< 1000 Ω (20 mA)
	< 825 Ω (24 mA)
Output ripple	< 20 mV _{rms}
Output behavior in the event of an error	0 mA (Cable break in the input)
	≥ 22.5 mA (Cable short-circuit in the input)
Underload/overload signal range	0 mA ... 24 mA (Extended transmission range for diagnostics)

Signal: Signal conditioner operation

Output description	Current output (active and passive)
Current output signal	0 mA ... 20 mA (active)
	4 mA ... 20 mA (active)
	0 mA ... 20 mA (14 ... 26 V ext. source voltage)
	4 mA ... 20 mA (14 ... 26 V ext. source voltage)
Load/output load current output	< 1000 Ω (20 mA)
	< 825 Ω (24 mA)
Output ripple	< 20 mV _{rms}
Output behavior in the event of an error	0 mA (Cable break in the input)
	0 mA (Cable short-circuit in the input)
Underload/overload signal range	0 mA ... 24 mA (Extended transmission range for diagnostics)

Connection data

Connection method	Screw connection
Stripping length	7 mm
Screw thread	M3
Conductor cross section solid	0.2 mm ² ... 2.5 mm ²
Conductor cross section flexible	0.2 mm ² ... 2.5 mm ²
Conductor cross section AWG	24 ... 14
Torque	0.5 Nm ... 0.6 Nm
Max. diameter	2 mm

Ex data

Safety data: Repeater power supply operation

Max. output voltage U _o	25.2 V
Max. output current I _o	93 mA
Max. output power P _o	587 mW
Safety-related maximum voltage U _m	253 V AC (≤ 2000 m)
	125 V DC (≤ 2000 m)
I (simple circuit): Max. external inductivity L _o / Max. external capacitance C _o	40 mH / 4.8 μF

Power/input isolating amplifier - MACX MCR-EX-SL-RPSSI-I



2865340

<https://www.phoenixcontact.com/pc/products/2865340>

IIA (simple circuit): Max. external inductivity L_o / Max. external capacitance C_o	26 mH / 2.9 μ F
IIB (simple circuit): Max. external inductivity L_o / Max. external capacitance C_o	14 mH / 820 nF
IIC (simple circuit): Max. external inductivity L_o / Max. external capacitance C_o	3 mH / 107 nF
IIA (mixed circuit): Max. external inductivity L_o / Max. external capacitance C_o	26 mH / 470 nF, 20 mH / 570 nF, 1 mH / 630 nF, 0.5 mH / 720 nF, 0.1 mH / 1.1 μ F, 0.005 mH / 2.9 μ F
IIB/III (mixed circuit): Max. external inductivity L_o / Max. external capacitance C_o	16 mH / 370 nF, 500 μ H / 510 nF, 200 μ H / 660 nF, 100 μ H / 820 nF
IIC (mixed circuit): Max. external inductivity L_o / Max. external capacitance C_o	2.2 mH / 47 nF, 2 mH / 49 nF, 1 mH / 63 nF, 500 μ H / 80 nF, 200 μ H / 107 nF
I (mixed circuit): Max. external inductivity L_o / Max. external capacitance C_o	37 mH / 0.54 μ F, 0.35 mH / 1 μ F, 0.009 mH / 2.9 μ F, 0.001 mH / 4.15 μ F

Safety data: Signal conditioner operation

Input voltage U_i	≤ 30 V
Input current I_i	≤ 150 mA
Max. internal inductance L_i	negligible
Max. internal capacitance C_i	negligible
Safety-related maximum voltage U_m	253 V AC (≤ 2000 m)
	125 V DC (≤ 2000 m)

Safety data: Repeater power supply operation

Max. output voltage U_o	25.2 V
Max. output current I_o	93 mA
Max. output power P_o	587 mW
Safety-related maximum voltage U_m	253 V AC (≤ 2000 m)
	125 V DC (≤ 2000 m)
I (simple circuit): Max. external inductivity L_o / Max. external capacitance C_o	40 mH / 4.8 μ F
IIA (simple circuit): Max. external inductivity L_o / Max. external capacitance C_o	26 mH / 2.9 μ F
IIB (simple circuit): Max. external inductivity L_o / Max. external capacitance C_o	14 mH / 820 nF
IIC (simple circuit): Max. external inductivity L_o / Max. external capacitance C_o	3 mH / 107 nF
IIA (mixed circuit): Max. external inductivity L_o / Max. external capacitance C_o	26 mH / 470 nF, 20 mH / 570 nF, 1 mH / 630 nF, 0.5 mH / 720 nF, 0.1 mH / 1.1 μ F, 0.005 mH / 2.9 μ F
IIB/III (mixed circuit): Max. external inductivity L_o / Max. external capacitance C_o	16 mH / 370 nF, 500 μ H / 510 nF, 200 μ H / 660 nF, 100 μ H / 820 nF
IIC (mixed circuit): Max. external inductivity L_o / Max. external capacitance C_o	2.2 mH / 47 nF, 2 mH / 49 nF, 1 mH / 63 nF, 500 μ H / 80 nF, 200 μ H / 107 nF
I (mixed circuit): Max. external inductivity L_o / Max. external capacitance C_o	37 mH / 0.54 μ F, 0.35 mH / 1 μ F, 0.009 mH / 2.9 μ F, 0.001 mH / 4.15 μ F

Safety data: Signal conditioner operation

Input voltage U_i	≤ 30 V
Input current I_i	≤ 150 mA
Max. internal inductance L_i	negligible

Power/input isolating amplifier - MACX MCR-EX-SL-RPSSI-I

2865340

<https://www.phoenixcontact.com/pc/products/2865340>

Max. internal capacitance C_i	negligible
Safety-related maximum voltage U_m	253 V AC (≤ 2000 m)
	125 V DC (≤ 2000 m)

Interfaces

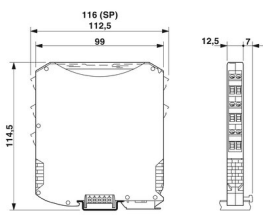
Data communication (bypass)

HART function	Yes
Protocols supported	HART-transparent

LED signaling

Status display	Green LED (supply voltage)
----------------	----------------------------

Dimensions

Dimensional drawing	
Width	12.5 mm
Height	112.5 mm
Depth	113.7 mm
	114.5 mm (Snapped onto DIN rail NS 35/7,5 in accordance with EN 60715)

Material specifications

Flammability rating according to UL 94	V0 (Housing)
Housing material	PA 6.6-FR

Environmental and real-life conditions

Ambient conditions

Degree of protection	IP20 (not assessed by UL)
Ambient temperature (operation)	-20 °C ... 60 °C (Any mounting position)
Ambient temperature (storage/transport)	-40 °C ... 80 °C
Permissible humidity (operation)	10 % ... 95 % (non-condensing)

Approval data

CE

Certificate	CE-compliant
Note	and EN 61326

CE

II (1) G [Ex ia Ga] IIC

Power/input isolating amplifier - MACX MCR-EX-SL-RPSSI-I



2865340

<https://www.phoenixcontact.com/pc/products/2865340>

Identification	<input type="checkbox"/> II (1) D [Ex ia Da] IIIC
	<input type="checkbox"/> II 3(1) G Ex ec [ia Ga] IIC T4 Gc
	<input type="checkbox"/> I (M1) [Ex ia Ma] I
Certificate	BVS 08 ATEX E 054X

CE

Identification	[Ex ia Ga] IIC
	[Ex ia Da] IIIC
	Ex ec [ia Ga] IIC T4 Gc
	[Ex ia Ma] I
Certificate	IECEX BVS 08.0016X

CE

Identification	[Ex ia Ga] IIC
	[Ex iaD]
	Ex nA [ia Ga] IIC T4 Gc
Certificate	NEPSI GYJ20.1309X

CE

Identification	UL 61010 Listed
	Class I, Div. 2, Groups A, B, C, D T4
	Class I, Div. 2, Groups IIC, IIB, IIA T4
	Associated apparatus for use in Class I, Division 1, Groups A,B,C,D
	Associated apparatus for use in Class II, Div.1 Groups E,F,D
	Associated apparatus for use in Class III, Division 1
	Associated apparatus for use in Class I, Zone 0,1,2, Groups IIC,IIB,IIA
Certificate	<input type="checkbox"/> , C.D.-No 83104549

CE

Identification	UL 61010 Listed
	Class I Div 2; IS for Class I, II, III Div 1
Certificate	<input type="checkbox"/> , C.D.-No 83104549

CE

Certificate	DNV GL TAA000020C
-------------	-------------------

CE

Identification	2
Certificate	BVS PB 03/08-2

CE

Identification	<input type="checkbox"/> [Ex ia Ga] IIC
	<input type="checkbox"/> [Ex ia Da] IIIC
Certificate	RU C-DE.AB72.B.00093/19

CE

Power/input isolating amplifier - MACX MCR-EX-SL-RPSSI-I



2865340

<https://www.phoenixcontact.com/pc/products/2865340>

Identification	[Ex ia] IIC/IIB
Certificate	17-KA4BO-0400X

CE

Identification	[Ex ia Ga] IIC/IIB
	[Ex ia Da] IIIC
	Ex nA [ia Ga] IIC/IIB T4 Gc
	[Ex ia Ma] I
Certificate	DNV 18.0136 X

DNV GL data

Temperature	B
Humidity	B
Vibration	A
EMC	A
Enclosure	Required protection according to the Rules shall be provided upon installation on board

EMC data

Electromagnetic compatibility	Conformance with EMC directive
Noise emission	EN 61000-6-4
Noise immunity	EN 61000-6-2
Note	When being exposed to interference, there may be minimal deviations.

Electromagnetic HF field

Designation	Electromagnetic RF field
Standards/regulations	EN 61000-4-3
Typical deviation from the measuring range final value	1 %

Fast transients (burst)

Designation	Fast transients (burst)
Standards/regulations	EN 61000-4-4
Typical deviation from the measuring range final value	1 %

Conducted interference

Designation	Conducted interferences
Standards/regulations	EN 61000-4-6
Typical deviation from the measuring range final value	1 %

Standards and regulations

Electrical isolation	3-way isolation
----------------------	-----------------

GB Standard

Standards/regulations	GB 3626.20
	GB 3836.1
	GB 3836.4

Power/input isolating amplifier - MACX MCR-EX-SL-RPSSI-I



2865340

<https://www.phoenixcontact.com/pc/products/2865340>

	GB 3836.8
	GB 12476.1
	GB 12476.4

Mounting

Mounting type	DIN rail mounting
---------------	-------------------

Power/input isolating amplifier - MACX MCR-EX-SL-RPSSI-I

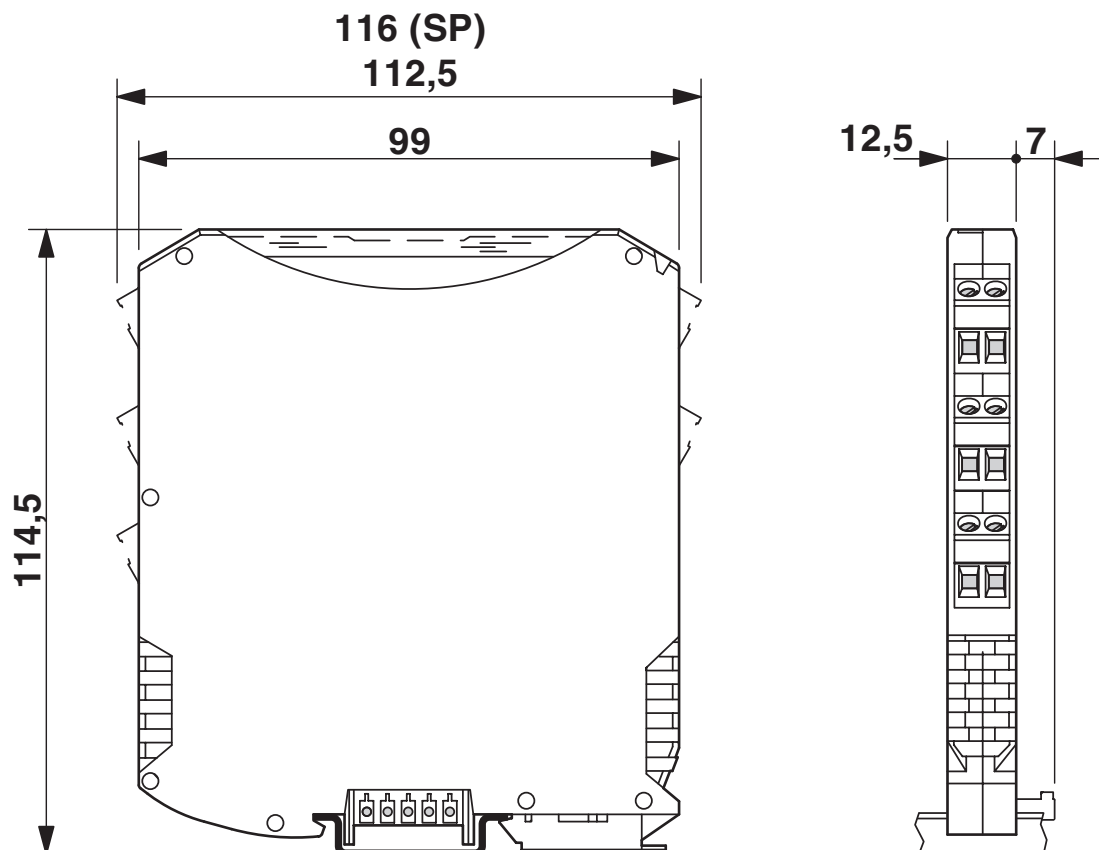


2865340

<https://www.phoenixcontact.com/pc/products/2865340>

Drawings

Dimensional drawing



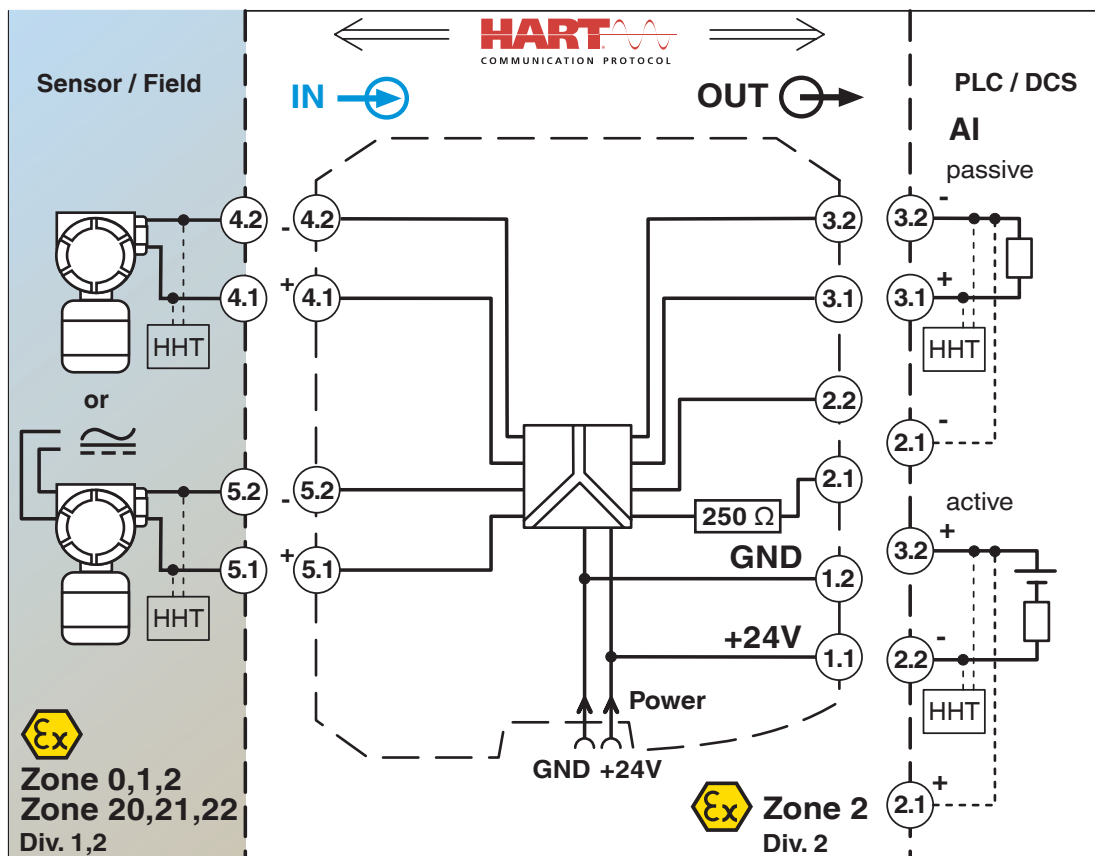
Power/input isolating amplifier - MACX MCR-EX-SL-RPSSI-I



2865340

<https://www.phoenixcontact.com/pc/products/2865340>

Block diagram



Power/input isolating amplifier - MACX MCR-EX-SL-RPSSI-I



2865340

<https://www.phoenixcontact.com/pc/products/2865340>

Approvals



DNV GL

Approval ID: TAA000020C



BV

Approval ID: 39933/B0_BV



UL Listed

Approval ID: FILE E 330267



CCC

Approval ID: 2020322 316001581



cUL Listed

Approval ID: FILE E 330267

Functional Safety

Approval ID: BVS Pb 03/08



EAC Ex

Approval ID: RU C-DE.AB72.B.00093



IECEx

Approval ID: IECEx BVS 08.0016X



cUL Listed

Approval ID: FILE E 199827



UL Listed

Approval ID: FILE E 199827



ATEX

Approval ID: BVS 08 ATEX E 054X

INMETRO

Approval ID: DNV 18.0136 X

Power/input isolating amplifier - MACX MCR-EX-SL-RPSSI-I



2865340

<https://www.phoenixcontact.com/pc/products/2865340>

KC-s

Approval ID: 17-KA4BO-0400X

cULus Listed

cULus Listed

Power/input isolating amplifier - MACX MCR-EX-SL-RPSSI-I



2865340

<https://www.phoenixcontact.com/pc/products/2865340>

Classifications

ECLASS

ECLASS-9.0	27210120
ECLASS-10.0.1	27210120
ECLASS-11.0	27210120

ETIM

ETIM 8.0	EC002653
----------	----------

UNSPSC

UNSPSC 21.0	39121000
-------------	----------

Power/input isolating amplifier - MACX MCR-EX-SL-RPSSI-I



2865340

<https://www.phoenixcontact.com/pc/products/2865340>

Environmental Product Compliance

REACH SVHC	Lead 7439-92-1
China RoHS	Environmentally Friendly Use Period = 50 years
	For information on hazardous substances, refer to the manufacturer's declaration available under "Downloads"

Power/input isolating amplifier - MACX MCR-EX-SL-RPSSI-I



2865340

<https://www.phoenixcontact.com/pc/products/2865340>

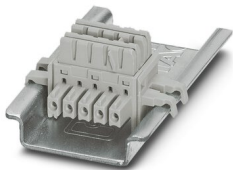
Accessories

DIN rail bus connectors

DIN rail bus connectors - ME 6,2 TBUS-2 1,5/5-ST-3,81 GY - 2695439

<https://www.phoenixcontact.com/pc/products/2695439>

DIN rail connector (TBUS), 5-pos., for bridging the supply voltage, can be snapped onto NS 35/... DIN rails according to EN 60715



Cable adapter

Cable adapter - GW HART USB MODEM - 1003824

<https://www.phoenixcontact.com/pc/products/1003824>

USB HART modem cable for communication between a PC and HART devices, cable length: 1m.



Power/input isolating amplifier - MACX MCR-EX-SL-RPSSI-I

2865340

<https://www.phoenixcontact.com/pc/products/2865340>

Power and error message module

Power and error message module - MACX MCR-PTB - 2865625

<https://www.phoenixcontact.com/pc/products/2865625>



Power and fault signaling module with screw connection, including corresponding ME 17,5 TBUS 1,5/ 5-ST-3,81 GY DIN rail connector

Power and error message module

Power and error message module - MACX MCR-PTB-SP - 2924184

<https://www.phoenixcontact.com/pc/products/2924184>



Power and fault signaling module with Push-in connection, including corresponding ME 17,5 TBUS 1,5/ 5-ST-3,81 GY DIN rail connector

Power/input isolating amplifier - MACX MCR-EX-SL-RPSSI-I

2865340

<https://www.phoenixcontact.com/pc/products/2865340>

Power supply unit

Power supply unit - QUINT4-SYS-PS/1AC/24DC/2.5/SC - 2904614

<https://www.phoenixcontact.com/pc/products/2904614>



Primary-switched power supply unit, QUINT POWER, Screw connection, DIN rail mounting, input: 1-phase, output: 24 V DC / 2.5 A

Module carrier

Module carrier - TC-D37SUB-AIO16-EX-PS-UNI - 2902932

<https://www.phoenixcontact.com/pc/products/2902932>



Universal termination carrier for connecting 16 MACX Analog Ex i signal conditioners to digital or analog I/O cards, via D-SUB connector, 37-pos. (1:1 connection), with HART multiplexer connection

Power/input isolating amplifier - MACX MCR-EX-SL-RPSSI-I

2865340

<https://www.phoenixcontact.com/pc/products/2865340>

Module carrier

Module carrier - TC-D37SUB-ADIO16-EX-P-UNI - 2924854

<https://www.phoenixcontact.com/pc/products/2924854>



Universal termination carrier for connecting 16 MACX Analog Ex i signal conditioners to digital or analog I/O cards, via D-SUB connector, 37-pos. (1:1 connection)

Insulating sleeve

Insulating sleeve - MPS-IH WH - 0201663

<https://www.phoenixcontact.com/pc/products/0201663>

Insulating sleeve, color: white



Power/input isolating amplifier - MACX MCR-EX-SL-RPSSI-I

2865340

<https://www.phoenixcontact.com/pc/products/2865340>

Insulating sleeve

Insulating sleeve - MPS-IH RD - 0201676

<https://www.phoenixcontact.com/pc/products/0201676>

Insulating sleeve, color: red

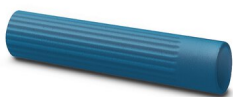


Insulating sleeve

Insulating sleeve - MPS-IH BU - 0201689

<https://www.phoenixcontact.com/pc/products/0201689>

Insulating sleeve, color: blue



Power/input isolating amplifier - MACX MCR-EX-SL-RPSSI-I

2865340

<https://www.phoenixcontact.com/pc/products/2865340>

Insulating sleeve

Insulating sleeve - MPS-IH YE - 0201692

<https://www.phoenixcontact.com/pc/products/0201692>

Insulating sleeve, color: yellow



Insulating sleeve

Insulating sleeve - MPS-IH GN - 0201702

<https://www.phoenixcontact.com/pc/products/0201702>

Insulating sleeve, color: green



Power/input isolating amplifier - MACX MCR-EX-SL-RPSSI-I

2865340

<https://www.phoenixcontact.com/pc/products/2865340>

Insulating sleeve

Insulating sleeve - MPS-IH GY - 0201728

<https://www.phoenixcontact.com/pc/products/0201728>

Insulating sleeve, color: gray



Insulating sleeve

Insulating sleeve - MPS-IH BK - 0201731

<https://www.phoenixcontact.com/pc/products/0201731>

Insulating sleeve, color: black



Power/input isolating amplifier - MACX MCR-EX-SL-RPSSI-I



2865340

<https://www.phoenixcontact.com/pc/products/2865340>

Test plugs

Test plugs - MPS-MT - 0201744

<https://www.phoenixcontact.com/pc/products/0201744>



Test plugs, with solder connection up to 1 mm² conductor cross section, color: gray

Plastic label

Plastic label - UC-EMLP (11X9) - 0819291

<https://www.phoenixcontact.com/pc/products/0819291>



Plastic label, Sheet, white, unlabeled, can be labeled with: BLUEMARK ID COLOR, BLUEMARK ID, BLUEMARK CLED, PLOTMARK, CMS-P1-PLOTTER, mounting type: adhesive, lettering field size: 11 x 9 mm, Number of individual labels: 10

Power/input isolating amplifier - MACX MCR-EX-SL-RPSSI-I

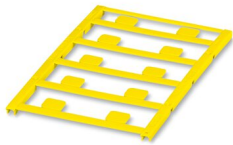
2865340

<https://www.phoenixcontact.com/pc/products/2865340>

Plastic label

Plastic label - UC-EMLP (11X9) YE - 0822602

<https://www.phoenixcontact.com/pc/products/0822602>



Plastic label, Sheet, yellow, unlabeled, can be labeled with: BLUEMARK ID COLOR, BLUEMARK ID, BLUEMARK CLED, PLOTMARK, CMS-P1-PLOTTER, mounting type: adhesive, lettering field size: 11 x 9 mm, Number of individual labels: 10

Plastic label

Plastic label - UC-EMLP (11X9) CUS - 0824547

<https://www.phoenixcontact.com/pc/products/0824547>



Plastic label, can be ordered: by sheet, white, labeled according to customer specifications, mounting type: adhesive, lettering field size: 11 x 9 mm

Power/input isolating amplifier - MACX MCR-EX-SL-RPSSI-I

2865340

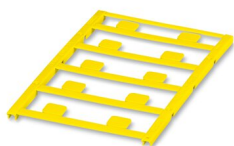
<https://www.phoenixcontact.com/pc/products/2865340>

Plastic label

Plastic label - UC-EMLP (11X9) YE CUS - 0824548

<https://www.phoenixcontact.com/pc/products/0824548>

Plastic label, can be ordered: by sheet, yellow, labeled according to customer specifications, mounting type: adhesive, lettering field size: 11 x 9 mm



Plastic label

Plastic label - UC-EMLP (11X9) SR - 0828094

<https://www.phoenixcontact.com/pc/products/0828094>

Plastic label, Sheet, silver, unlabeled, can be labeled with: BLUEMARK ID COLOR, BLUEMARK ID, BLUEMARK CLED, PLOTMARK, CMS-P1-PLOTTER, mounting type: adhesive, lettering field size: 11 x 9 mm, Number of individual labels: 10



Power/input isolating amplifier - MACX MCR-EX-SL-RPSSI-I

2865340

<https://www.phoenixcontact.com/pc/products/2865340>

Plastic label

Plastic label - UC-EMLP (11X9) SR CUS - 0828098

<https://www.phoenixcontact.com/pc/products/0828098>



Plastic label, can be ordered: by sheet, silver, labeled according to customer specifications, mounting type: adhesive, lettering field size: 11 x 9 mm, Number of individual labels: 10

Plastic label

Plastic label - US-EMLP (11X9) - 0828789

<https://www.phoenixcontact.com/pc/products/0828789>



Plastic label, Card, white, unlabeled, can be labeled with: BLUEMARK ID COLOR, BLUEMARK ID, THERMOMARK PRIME, THERMOMARK CARD 2.0, THERMOMARK CARD, mounting type: adhesive, lettering field size: 11 x 9 mm, Number of individual labels: 135

Power/input isolating amplifier - MACX MCR-EX-SL-RPSSI-I



2865340

<https://www.phoenixcontact.com/pc/products/2865340>

Plastic label

Plastic label - US-EMLP (11X9) YE - 0828871

<https://www.phoenixcontact.com/pc/products/0828871>



Plastic label, Card, yellow, unlabeled, can be labeled with: BLUEMARK ID COLOR, BLUEMARK ID, THERMOMARK PRIME, THERMOMARK CARD 2.0, THERMOMARK CARD, mounting type: adhesive, lettering field size: 11 x 9 mm, Number of individual labels: 135

Plastic label

Plastic label - US-EMLP (11X9) SR - 0828872

<https://www.phoenixcontact.com/pc/products/0828872>



Plastic label, Card, silver, unlabeled, can be labeled with: BLUEMARK ID COLOR, BLUEMARK ID, THERMOMARK PRIME, THERMOMARK CARD 2.0, THERMOMARK CARD, mounting type: adhesive, lettering field size: 11 x 9 mm, Number of individual labels: 135

Power/input isolating amplifier - MACX MCR-EX-SL-RPSSI-I

2865340

<https://www.phoenixcontact.com/pc/products/2865340>

Device marker

Device marker - LS-EMLP (11X9) WH - 0831678

<https://www.phoenixcontact.com/pc/products/0831678>

Device marker, Sheet, white, unlabeled, can be labeled with: TOPMARK NEO, TOPMARK LASER, mounting type: adhesive, lettering field size: 11 x 9 mm, Number of individual labels: 255

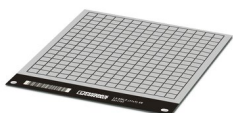


Device marker

Device marker - LS-EMLP (11X9) SR - 0831705

<https://www.phoenixcontact.com/pc/products/0831705>

Device marker, Sheet, silver, unlabeled, can be labeled with: TOPMARK NEO, TOPMARK LASER, mounting type: adhesive, lettering field size: 11 x 9 mm, Number of individual labels: 255



Power/input isolating amplifier - MACX MCR-EX-SL-RPSSI-I



2865340

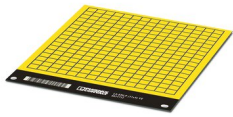
<https://www.phoenixcontact.com/pc/products/2865340>

Device marker

Device marker - LS-EMLP (11X9) YE - 0831732

<https://www.phoenixcontact.com/pc/products/0831732>

Device marker, Sheet, yellow, unlabeled, can be labeled with: TOPMARK NEO, TOPMARK LASER, mounting type: adhesive, lettering field size: 11 x 9 mm, Number of individual labels: 255



Phoenix Contact 2022 © - all rights reserved

<https://www.phoenixcontact.com>

PHOENIX CONTACT GmbH & Co. KG

Flachsmarktstraße 8

D-32825 Blomberg

+49 (0) 5235-3 00

info@phoenixcontact.com