

Signal conditioner - MCR-C-UI-UI-DCI-NC



2810939

<https://www.phoenixcontact.com/il/products/2810939>

Please be informed that the data shown in this PDF document is generated from our Online Catalog. Please find the complete data in the user documentation. Our General Terms of Use for Downloads are valid.



MCR 3-way signal conditioner, with configurable input/output, for the electrical isolation of analog signals, not configured. Replacement item: 2811446 MACX MCR-UI-UI-NC.

Commercial Data

Item number	2810939
Packing unit	1 pc
Minimum order quantity	1 pc
Product Key	CK1811
Catalog Page	Page 360 (IF-2009)
GTIN	4017918118303
Weight per Piece (including packing)	138.6 g
Weight per Piece (excluding packing)	138.4 g
Customs tariff number	85437090
Country of origin	DE

Technical Data

Notes

Utilization restriction

EMC note	EMC: class A product, see manufacturer's declaration in the download area
----------	---

Product properties

Product type	Signal conditioner
No. of channels	1

Electrical properties

Alignment span	$\pm 2 \%$
Alignment zero	$\pm 2 \%$
No. of channels	1
Electrical isolation between input and output	yes
Limit frequency (3 dB)	30 Hz
Maximum power dissipation for nominal condition	900 mW
Test voltage input/output	1.5 kV AC (50 Hz, 60 s)
Test voltage power supply/signal	1 kV AC (50 Hz, 60 s)
Protective circuit	Transient protection
Step response (10-90%)	11 ms
Maximum temperature coefficient	0.0075 %/K
Maximum transmission error	$\leq 0.1 \%$ (of final value)

Supply

Supply voltage range	18 V DC ... 30 V DC
Max. current consumption	< 30 mA (without load)

Input data

Signal

Number of inputs	1
Configurable/programmable	Yes, standard configuration IN 0 ... 10 V, OUT 0 ... 10 V
Voltage input signal	0 V ... 10 V (please indicate if different setting when ordering)
Max. voltage input signal	30 V
Max. current input signal	50 mA
Input resistance of voltage input	1 M Ω
Input resistance current input	50 Ω

Output data

Signal:

Number of outputs	1
Configurable/programmable	Yes, unconfigured

Signal conditioner - MCR-C-UI-UI-DCI-NC



2810939

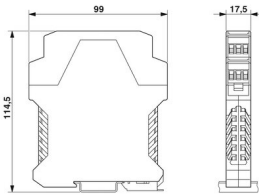
<https://www.phoenixcontact.com/il/products/2810939>

Voltage output signal	0 V ... 10 V (please indicate if different setting when ordering)
Max. voltage output signal	15 V
Max. current output signal	30 mA
Load/output load voltage output	$\geq 10 \text{ k}\Omega$
Load/output load current output	$\leq 500 \Omega$

Connection data

Connection method	Pluggable screw connection
Stripping length	8 mm
Screw thread	M3
Conductor cross section solid	0.2 mm ² ... 2.5 mm ²
Conductor cross section flexible	0.2 mm ² ... 2.5 mm ²
Conductor cross section AWG	24 ... 14

Dimensions

Dimensional drawing	
Width	17.5 mm
Height	99 mm
Depth	114.5 mm

Material specifications

Housing material	Polyamide PA non-reinforced
------------------	-----------------------------

Environmental and real-life conditions

Ambient conditions

Degree of protection	IP20
Ambient temperature (operation)	-20 °C ... 65 °C

Approval data

CE

Certificate	CE-compliant
-------------	--------------

UL, USA / Canada

Identification	UL 508 Recognized
	Class I, Div. 2, Groups A, B, C, D
	Class I, Zone 2, Group IIC

EMC data

Signal conditioner - MCR-C-UI-UI-DCI-NC



2810939

<https://www.phoenixcontact.com/il/products/2810939>

Electromagnetic compatibility	Conformance with EMC directive
Noise emission	EN 61000-6-4
Noise immunity	EN 61000-6-2

Mounting

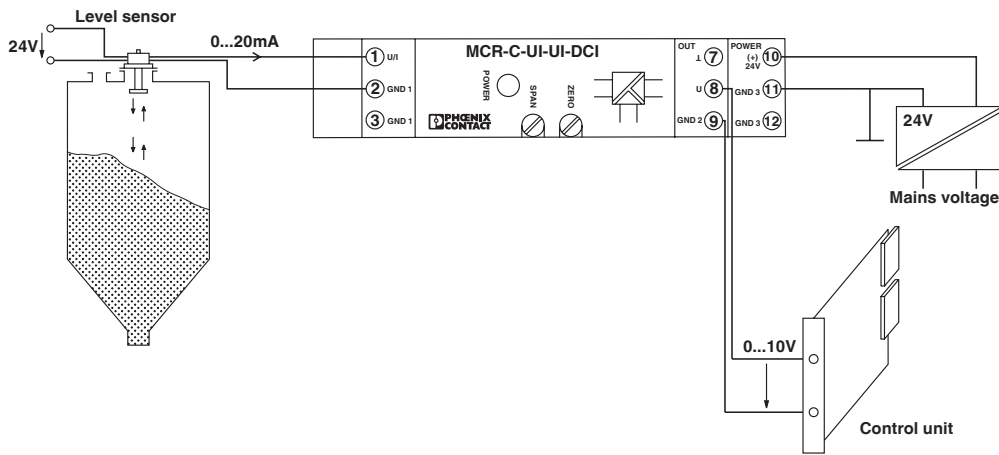
Mounting type	DIN rail mounting
Mounting position	any

Signal conditioner - MCR-C-UI-UI-DCI-NC

2810939

<https://www.phoenixcontact.com/il/products/2810939>

Application drawing



Application example: Level measurement

Signal conditioner - MCR-C-UI-UI-DCI-NC




2810939

<https://www.phoenixcontact.com/il/products/2810939>

Approvals

 cUL Recognized

 UL Recognized

 EAC

 cUL Listed

 UL Listed

cULus Recognized

cULus Listed

Signal conditioner - MCR-C-UI-UI-DCI-NC



2810939

<https://www.phoenixcontact.com/il/products/2810939>

Classifications

ECLASS

ECLASS-9.0	27210120
ECLASS-10.0.1	27210120
ECLASS-11.0	27210120

ETIM

ETIM 7.0	EC002653
----------	----------

UNSPSC

UNSPSC 21.0	39121008
-------------	----------

Signal conditioner - MCR-C-UI-UI-DCI-NC



2810939

<https://www.phoenixcontact.com/il/products/2810939>

Environmental Product Compliance

REACH SVHC	Lead 7439-92-1
	Hexahydromethylphthalic anhydride
China RoHS	Environmentally Friendly Use Period = 50 years
	For information on hazardous substances, refer to the manufacturer's declaration available under "Downloads"

Phoenix Contact 2022 © - all rights reserved
<https://www.phoenixcontact.com>

PHOENIX CONTACT Israel Ltd.
P.O.B. 1799 Industrial Park Hasharon
Quadima 60920
+972-9-8915700
info@phoenixcontact.co.il