

Power supply unit - QUINT4-PS/1AC/48DC/5



2904610

<https://www.phoenixcontact.com/pc/products/2904610>

Please be informed that the data shown in this PDF document is generated from our Online Catalog. Please find the complete data in the user documentation. Our General Terms of Use for Downloads are valid.



Primary-switched QUINT POWER power supply for DIN rail mounting with free choice of output characteristic curve and SFB (Selective Fuse Breaking) technology, input: 1-phase, output: 48 V DC / 5 A

Product Description

The fourth generation of the high-performance QUINT POWER power supplies ensures superior system availability by means of new functions. Signaling thresholds and characteristic curves can be individually adjusted via the NFC interface. The unique SFB technology and preventive function monitoring of the QUINT POWER power supply increase the availability of your application.

Your advantages

- Preventive function monitoring indicates critical operating states before errors occur
- Signaling thresholds and characteristic curves that can be adjusted via NFC maximize system availability
- Power reserve for easy system extension thanks to static boost with sustained power of up to 125% and ability to start difficult loads thanks to dynamic boost with up to 200% for 5 seconds
- High degree of immunity, thanks to integrated gas-filled surge arrester and mains failure bridging time of more than 20 milliseconds
- Robust design thanks to metal housing and wide temperature range from -40°C to +70°C
- Worldwide use thanks to the wide range input and international approval package

Commercial Data

| | |
|--------------------------------------|---------------------|
| Item number | 2904610 |
| Packing unit | 1 pc |
| Minimum order quantity | 1 pc |
| Product Key | CMPI14 |
| Catalog Page | Page 241 (C-4-2019) |
| GTIN | 4055626355061 |
| Weight per Piece (including packing) | 1,144.6 g |
| Weight per Piece (excluding packing) | 1,144.6 g |
| Customs tariff number | 85044030 |
| Country of origin | TH |

Technical Data

Input data

| | |
|----------------------------------|--|
| Control input (configurable) Rem | Output power ON/OFF (SLEEP MODE) |
| Default | Output power ON (>40 k Ω /24 V DC/open bridge between Rem and SGnd) |

AC operation

| | |
|--|--|
| Nominal input voltage range | 100 V AC ... 240 V AC |
| Input voltage range | 100 V AC ... 240 V AC -15 % ... +10 % |
| Derating | < 100 V AC (1 %/V) |
| Electric strength, max. | 300 V AC 60 s |
| Typical national grid voltage | 120 V AC 230 V AC |
| Voltage type of supply voltage | AC |
| Inrush current | typ. 16 A (at 25 °C) |
| Inrush current integral (I^2t) | < 0.5 A ² s |
| Inrush current limitation | 16 A (after 1 ms) |
| AC frequency range | 50 Hz ... 60 Hz -10 % ... +10 % |
| Frequency range (f_N) | 50 Hz ... 60 Hz -10 % ... +10 % 16.7 Hz (acc. to EN 50163) |
| Mains buffering time | typ. 43 ms (120 V AC) typ. 43 ms (230 V AC) |
| Current consumption | 3.4 A (100 V AC) 2.8 A (120 V AC) 1.5 A (230 V AC) 1.5 A (240 V AC) |
| Nominal power consumption | 271 VA |
| Protective circuit | Transient surge protection; Varistor, gas-filled surge arrester |
| Switch-on time | < 1 s |
| Typical response time | 300 ms (from SLEEP MODE) |
| Input fuse | 8 A (slow-blow, internal) |
| Recommended breaker for input protection | 10 A ... 16 A (Characteristic B, C, D, K or comparable) |
| Discharge current to PE | < 3.5 mA 0.6 mA (264 V AC, 60 Hz) |

DC operation

| | |
|--------------------------------|---------------------------------------|
| Nominal input voltage range | 110 V DC ... 250 V DC |
| Input voltage range | 110 V DC ... 250 V DC -18 % ... +40 % |
| Derating | < 110 V DC (1 %/V) |
| Voltage type of supply voltage | DC |
| Current consumption | 3 A (110 V DC) 1.3 A (250 V DC) |

Output data

| | |
|--|---|
| Efficiency | typ. 92.3 % (120 V AC) |
| | typ. 93.5 % (230 V AC) |
| Output characteristic | U/I Advanced |
| | Smart HICCUP |
| | FUSE MODE |
| Nominal output voltage | 48 V DC |
| Setting range of the output voltage (U_{Set}) | 48 V DC ... 56 V DC (constant capacity) |
| Nominal output current (I_N) | 5 A |
| Static Boost ($I_{Stat.Boost}$) | 6.25 A |
| Dynamic Boost ($I_{Dyn.Boost}$) | 10 A (5 s) |
| Selective Fuse Breaking (I_{SFB}) | 30 A (15 ms) |
| Magnetic circuit breaker tripping | A1...A6 / B2 / C1...C2 / Z1...Z6 |
| Derating | > 60 °C ... 70 °C (2.5%/K) |
| Feedback voltage resistance | ≤ 60 V DC |
| Protection against overvoltage at the output (OVP) | ≤ 60 V DC |
| Control deviation | < 0.5 % (Static load change 10 % ... 90 %) |
| | < 4 % (Dynamic load change 10 % ... 90 %, (10 Hz)) |
| | < 0.25 % (change in input voltage ±10 %) |
| Residual ripple | < 70 mV _{PP} (with nominal values) |
| Short-circuit-proof | yes |
| No-load proof | yes |
| Output power | 240 W |
| | 300 W |
| | 480 W |
| Apparent power | 120 V, $U_{OUT} = 48$ V, $I_{OUT} = \text{stat. Boost}$ |
| | 230 V, $U_{OUT} = 48$ V, $I_{OUT} = \text{stat. Boost}$ |
| Maximum no-load power dissipation | < 3 W (120 V AC) |
| | < 3 W (230 V AC) |
| Power loss nominal load max. | < 19 W (120 V AC) |
| | < 16 W (230 V AC) |
| Power dissipation SLEEP MODE | < 3 W (120 V AC) |
| | < 3 W (230 V AC) |
| Crest factor | typ. 1.5 (120 V AC) |
| | typ. 1.64 (230 V AC) |
| Rise time | < 1 s ($U_{Out} = 10$ % ... 90 %) |
| Connection in parallel | yes, for redundancy and increased capacity |
| Connection in series | yes |

Signal

| | |
|--------------------|---|
| Signal ground SGnd | Reference potential for Out1, Out2, and Rem |
|--------------------|---|

Signal Out 1 (configurable)

| | |
|---------|---------------|
| Digital | 24 V DC 20 mA |
|---------|---------------|

Power supply unit - QUINT4-PS/1AC/48DC/5



2904610

<https://www.phoenixcontact.com/pc/products/2904610>

| | |
|-----------------------------------|--|
| Default | 24 V DC 20 mA 24 V DC for $U_{Out} > 0.9 \times U_{Set}$ |
| Signal Out 2 (configurable) | |
| Digital | 24 V DC 20 mA |
| Analog | 4 mA ... 20 mA $\pm 5\%$ (Load $\leq 400 \Omega$) |
| Default | 24 V DC 20 mA 24 V DC for $P_{Out} < P_N$ |
| Signal relay 13/14 (configurable) | |
| Default | closed ($U_{out} > 0.9 U_{Set}$) |
| Digital | 24 V DC 1 A |
| | 30 V AC/DC 0.5 A |

Connection data

Input

| | |
|--|----------------------|
| Connection method | Screw connection |
| Conductor cross section solid min. | 0.2 mm ² |
| Conductor cross section solid max. | 2.5 mm ² |
| Conductor cross section flexible min. | 0.2 mm ² |
| Conductor cross section flexible max. | 2.5 mm ² |
| Single conductor/flexible terminal point with ferrule with plastic sleeve, min. | 0.25 mm ² |
| Single conductor/flexible terminal point with ferrule with plastic sleeve, max. | 2.5 mm ² |
| Single conductor/flexible terminal point with ferrule without plastic sleeve, min. | 0.25 mm ² |
| Single conductor/flexible terminal point with ferrule without plastic sleeve, max. | 2.5 mm ² |
| Conductor cross section AWG min. | 24 |
| Conductor cross section AWG max. | 14 |
| Stripping length | 6.5 mm |
| Tightening torque, min | 0.5 Nm |
| Tightening torque max | 0.6 Nm |

Output

| | |
|--|----------------------|
| Connection method | Screw connection |
| Conductor cross section solid min. | 0.2 mm ² |
| Conductor cross section solid max. | 2.5 mm ² |
| Conductor cross section flexible min. | 0.2 mm ² |
| Conductor cross section flexible max. | 2.5 mm ² |
| Single conductor/flexible terminal point with ferrule with plastic sleeve, min. | 0.25 mm ² |
| Single conductor/flexible terminal point with ferrule with plastic sleeve, max. | 2.5 mm ² |
| Single conductor/flexible terminal point with ferrule without plastic sleeve, min. | 0.25 mm ² |
| Single conductor/flexible terminal point with ferrule without plastic sleeve, max. | 2.5 mm ² |

Power supply unit - QUINT4-PS/1AC/48DC/5



2904610

<https://www.phoenixcontact.com/pc/products/2904610>

| | |
|----------------------------------|--------|
| Conductor cross section AWG min. | 24 |
| Conductor cross section AWG max. | 14 |
| Stripping length | 6.5 mm |
| Tightening torque, min | 0.5 Nm |
| Tightening torque max | 0.6 Nm |

Signal

| | |
|--|----------------------|
| Connection method | Push-in connection |
| Conductor cross section solid min. | 0.2 mm ² |
| Conductor cross section solid max. | 1 mm ² |
| Conductor cross section flexible min. | 0.2 mm ² |
| Conductor cross section flexible max. | 1.5 mm ² |
| Single conductor/flexible terminal point with ferrule with plastic sleeve, min. | 0.2 mm ² |
| Single conductor/flexible terminal point with ferrule with plastic sleeve, max. | 0.75 mm ² |
| Single conductor/flexible terminal point with ferrule without plastic sleeve, min. | 0.2 mm ² |
| Single conductor/flexible terminal point with ferrule without plastic sleeve, max. | 1.5 mm ² |
| Conductor cross section AWG min. | 24 |
| Conductor cross section AWG max. | 16 |
| Stripping length | 8 mm |

LED signaling

| | |
|--------------------|---|
| Types of signaling | LED |
| | Floating signal contact |
| | Active signal output Out1 (digital, configurable) |
| | Active signal output Out2 (analog, configurable) |
| | Remote contact |
| | Signal ground SGnd |

Signal output

| | |
|-----------|--|
| P_{Out} | > 100 % (LED lights up yellow, output power > 240 W) |
| U_{Out} | > 0.9 x U_{Set} (LED lights up green) |

Electrical properties

| | |
|---------------------------------|--|
| Number of phases | 1.00 |
| Insulation voltage input/output | 4 kV AC (type test) |
| | 2 kV AC (routine test) |
| Insulation voltage output / PE | 0.5 kV DC (type test) |
| | 0.5 kV DC (routine test) |
| Insulation voltage input / PE | 3.5 kV AC (type test) |
| | 2.4 kV AC (routine test) |
| Switching frequency | 90 kHz ... 110 kHz (Auxiliary converter stage) |
| | 52 kHz ... 300 kHz (Main converter stage) |

Power supply unit - QUINT4-PS/1AC/48DC/5



2904610

<https://www.phoenixcontact.com/pc/products/2904610>

| | |
|--|--------------------------------|
| | 35 kHz ... 700 kHz (PFC stage) |
|--|--------------------------------|

Product properties

| | |
|------------------------------------|---------------------------|
| Product type | Power supply |
| MTBF (IEC 61709, SN 29500) | > 1242000 h (25 °C) |
| | > 784000 h (40 °C) |
| | > 374000 h (60 °C) |
| Environmental protection directive | RoHS Directive 2011/65/EU |
| | WEEE |
| | Reach |

Insulation characteristics

| | |
|---------------------|---|
| Protection class | I |
| Degree of pollution | 2 |

Life expectancy (electrolytic capacitors)

| | |
|-----------------|----------|
| Current | 2.5 A |
| Temperature | 40 °C |
| Time | 326000 h |
| Additional text | 120 V AC |

Life expectancy (electrolytic capacitors)

| | |
|-----------------|----------|
| Current | 2.5 A |
| Temperature | 40 °C |
| Time | 321000 h |
| Additional text | 230 V AC |

Life expectancy (electrolytic capacitors)

| | |
|-----------------|----------|
| Current | 5 A |
| Temperature | 25 °C |
| Time | 452000 h |
| Additional text | 120 V AC |

Life expectancy (electrolytic capacitors)

| | |
|-----------------|----------|
| Current | 5 A |
| Temperature | 25 °C |
| Time | 618000 h |
| Additional text | 230 V AC |

Life expectancy (electrolytic capacitors)

| | |
|-----------------|----------|
| Current | 5 A |
| Temperature | 40 °C |
| Time | 159000 h |
| Additional text | 120 V AC |

Life expectancy (electrolytic capacitors)

| | |
|---------|-----|
| Current | 5 A |
|---------|-----|

Power supply unit - QUINT4-PS/1AC/48DC/5

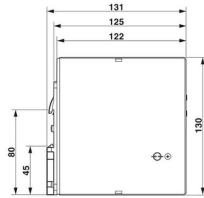


2904610

<https://www.phoenixcontact.com/pc/products/2904610>

| | |
|-----------------|----------|
| Temperature | 40 °C |
| Time | 218000 h |
| Additional text | 230 V AC |

Dimensions

| | |
|---------------------|--|
| Dimensional drawing |  |
| Width | 50 mm |
| Height | 130 mm |
| Depth | 125 mm |

Installation dimensions

| | |
|----------------------------------|---------------|
| Installation distance right/left | 5 mm / 5 mm |
| Installation distance top/bottom | 50 mm / 50 mm |

Alternative assembly

| | |
|--------|--------|
| Width | 122 mm |
| Height | 130 mm |
| Depth | 53 mm |

Mounting

| | |
|-------------------------|---|
| Mounting type | DIN rail: 35 mm |
| Assembly instructions | alignable: $P_N \geq 50\%$, 5 mm horizontally, 15 mm next to active components, 50 mm vertically alignable: $P_N < 50\%$, 0 mm horizontally, 40 mm vertically top, 20 mm vertically bottom |
| Mounting position | horizontal DIN rail NS 35, EN 60715 |
| With protective coating | No |

Material specifications

| | |
|---|------------------------|
| Inflammability class in acc. with UL 94 (housing / terminal blocks) | V0 |
| Housing material | Metal |
| Hood version | Stainless steel X6Cr17 |
| Side element version | Aluminum |

Environmental and real-life conditions

Ambient conditions

| | |
|--|--|
| Degree of protection | IP20 |
| Ambient temperature (operation) | -25 °C ... 70 °C (> 60 °C Derating: 2,5 %/K) |
| Ambient temperature (storage/transport) | -40 °C ... 85 °C |
| Ambient temperature (start-up type tested) | -40 °C |

Power supply unit - QUINT4-PS/1AC/48DC/5



2904610

<https://www.phoenixcontact.com/pc/products/2904610>

| | |
|--|---|
| Maximum altitude | ≤ 5000 m (> 2000 m, observe derating) |
| Climatic class | 3K3 (in acc. with EN 60721) |
| Max. permissible relative humidity (operation) | ≤ 95 % (at 25 °C, non-condensing) |
| Shock | 18 ms, 30g, in each space direction (according to IEC 60068-2-27) |
| Vibration (operation) | 5 Hz ... 100 Hz resonance search 2.3g, 90 min., resonance frequency 2.3g, 90 min. (according to DNV GL Class C) |

Standards and regulations

| | |
|--|------------------------------------|
| Rail applications | EN 50121-3-2 |
| | EN 50121-4 |
| | EN 50121-5 |
| | IEC 62236-3-2 |
| | IEC 62236-4 |
| | IEC 62236-5 |
| HART FSK Physical Layer Test Specification Compliance | Output voltage U_{Out} compliant |
| Standard – Limitation of mains harmonic currents | EN 61000-3-2 |
| Standard - Electrical safety | IEC 61010-2-201 (SELV) |
| Standard – Safety extra-low voltage | IEC 61010-1 (SELV) |
| | IEC 61010-2-201 (PELV) |
| Standard - Safe isolation | IEC 61558-2-16 |
| | IEC 61010-2-201 |
| Standard - safety for equipment for measurement, control, and laboratory use | IEC 61010-1 |
| Standard - Safety of transformers | EN 61558-2-16 |
| Battery charging | DIN 41773-1 |
| Approval - requirement of the semiconductor industry with regard to mains voltage dips | SEMI F47-0706, EN 61000-4-11 |

Overvoltage category

| | |
|------------|----------------|
| EN 61010-1 | II (≤ 5000 m) |
| EN 62477-1 | III (≤ 2000 m) |

Approval data

| | |
|--------------|--|
| CSA | CAN/CSA-C22.2 No. 60950-1-07 |
| | CSA-C22.2 No. 107.1-01 |
| UL approvals | UL Listed UL 508 |
| | UL/C-UL Recognized UL 60950-1 |
| | UL ANSI/ISA-12.12.01 Class I, Division 2, Groups A, B, C, D (Hazardous Location) |

EMC data

| | |
|-------------------------------------|---|
| Low Voltage Directive | Conformance with Low Voltage Directive 2014/35/EC |
| Electromagnetic compatibility | Conformance with EMC Directive 2014/30/EU |
| EMC requirements for noise emission | EN 61000-6-3 |
| | EN 61000-6-4 |

Power supply unit - QUINT4-PS/1AC/48DC/5



2904610

<https://www.phoenixcontact.com/pc/products/2904610>

| | |
|-------------------------------------|--|
| EMC requirements for noise immunity | EN 61000-6-1 |
| | EN 61000-6-2 |
| EMC requirements, power plant | IEC 61850-3 |
| | EN 61000-6-5 |
| Conducted noise emission | EN 55016 |
| | EN 61000-6-3 (Class B) |
| Interference emission | Noise emission according to EN 61000-6-3 (residential and commercial) and EN 61000-6-4 (industrial) |
| Noise emission | Additional basic standard EN 61000-6-5 (immunity in power station), IEC/EN 61850-3 (energy supply) |
| Noise emission | EN 55016 |
| | EN 61000-6-3 (Class B) |
| Noise immunity | Immunity according to EN 61000-6-1 (residential), EN 61000-6-2 (industrial), and EN 61000-6-5 (power station equipment zone), IEC/EN 61850-3 (energy supply) |

Harmonic currents

| | |
|-----------------------|------------------------|
| Standards/regulations | EN 61000-3-2 |
| | EN 61000-3-2 (Class A) |
| Frequency range | 0 kHz ... 2 kHz |

Flicker

| | |
|-----------------------|-----------------|
| Standards/regulations | EN 61000-3-3 |
| | EN 61000-3-3 |
| Frequency range | 0 kHz ... 2 kHz |

Electrostatic discharge

| | |
|-----------------------|--------------|
| Standards/regulations | EN 61000-4-2 |
|-----------------------|--------------|

Electrostatic discharge

| | |
|-------------------|----------------------|
| Contact discharge | 8 kV (Test Level 4) |
| Discharge in air | 15 kV (Test Level 4) |
| Comments | Criterion A |

Electromagnetic HF field

| | |
|-----------------------|--------------|
| Standards/regulations | EN 61000-4-3 |
|-----------------------|--------------|

Electromagnetic HF field

| | |
|---------------------|-----------------------|
| Frequency range | 80 MHz ... 1 GHz |
| Test field strength | 20 V/m (Test Level 3) |
| Frequency range | 1 GHz ... 6 GHz |
| Test field strength | 10 V/m (Test Level 3) |
| Frequency range | 1 GHz ... 6 GHz |
| Test field strength | 10 V/m (Test Level 3) |
| Comments | Criterion A |

Fast transients (burst)

| | |
|-----------------------|--------------|
| Standards/regulations | EN 61000-4-4 |
|-----------------------|--------------|

Power supply unit - QUINT4-PS/1AC/48DC/5



2904610

<https://www.phoenixcontact.com/pc/products/2904610>

Fast transients (burst)

| | |
|----------|------------------------------------|
| Input | 4 kV (Test Level 4 - asymmetrical) |
| Output | 4 kV (Test Level 4 - asymmetrical) |
| Signal | 4 kV (Test Level 4 - asymmetrical) |
| Comments | Criterion A |

Surge voltage load (surge)

| | |
|----------|------------------------------------|
| Input | 3 kV (Test Level 4 - symmetrical) |
| | 6 kV (Test Level 4 - asymmetrical) |
| Output | 1 kV (Test Level 3 - symmetrical) |
| | 2 kV (Test Level 3 - asymmetrical) |
| Signal | 4 kV (Test Level 4 - asymmetrical) |
| Comments | Criterion A |

Conducted interference

| | |
|-----------------------|--------------|
| Standards/regulations | EN 61000-4-6 |
|-----------------------|--------------|

Conducted interference

| | |
|-----------------|---------------------|
| I/O/S | asymmetrical |
| Frequency range | 0.15 MHz ... 80 MHz |
| Comments | Criterion A |
| Voltage | 10 V (Test Level 3) |

Power frequency magnetic field

| | |
|-----------------------|-----------------|
| Standards/regulations | EN 61000-4-8 |
| Frequency | 16.7 Hz |
| | 50 Hz |
| | 60 Hz |
| Test field strength | 100 A/m |
| Additional text | 60 s |
| Comments | Criterion A |
| Frequency | 50 Hz |
| | 60 Hz |
| Frequency range | 50 Hz ... 60 Hz |
| Test field strength | 1 kA/m |
| Additional text | 3 s |
| Frequency | 0 Hz |
| Test field strength | 300 A/m |
| Additional text | DC, 60 s |

Voltage dips

| | |
|-----------------------|----------------------|
| Standards/regulations | EN 61000-4-11 |
| Voltage | 230 V AC |
| Frequency | 50 Hz |
| Voltage dip | 70 % |
| Number of periods | 0.5 / 1 / 25 periods |

Power supply unit - QUINT4-PS/1AC/48DC/5



2904610

<https://www.phoenixcontact.com/pc/products/2904610>

| | |
|-------------------|--|
| Additional text | Test Level 2 |
| Comments | Criterion A: 0.5 / 1 / 25 periods |
| Voltage dip | 40 % |
| Number of periods | 5 / 10 / 50 periods |
| Additional text | Test Level 2 |
| Comments | Criterion A |
| Voltage dip | 0 % |
| Number of periods | 0,5 / 1 / 5 / 50 / 250 periods |
| Additional text | Test Level 2 |
| Comments | Criterion A: 0.5 / 1 period Criterion B: 5 / 50 / 250 periods |

Pulse-shape magnetic field

| | |
|-----------------------|--------------|
| Standards/regulations | EN 61000-4-9 |
| Test field strength | 1000 A/m |
| Comments | Criterion A |

Attenuated sinusoidal oscillations (ring wave)

| | |
|-----------------------|---|
| Standards/regulations | EN 61000-4-12 |
| Input | 2 kV (Test Level 4 - symmetrical) 4 kV (Test Level 4 - asymmetrical) |
| Comments | Criterion A |

Asymmetrical conducted disturbance variables

| | |
|-----------------------|------------------------------------|
| Standards/regulations | EN 61000-4-16 |
| Test level 1 | 15 Hz 150 Hz (Test Level 4) |
| Voltage | 30 V 3 V |
| Test level 2 | 150 Hz 1.5 kHz (Test Level 4) |
| Voltage | 3 V |
| Test level 3 | 1.5 kHz 15 kHz (Test Level 4) |
| Voltage | 3 V 30 V |
| Test level 4 | 15 kHz 150 kHz (Test Level 4) |
| Voltage | 30 V |
| Test level 5 | 16.7 Hz 50 Hz 60 Hz (Test Level 4) |
| Voltage | 30 V (Permanent) |
| Test level 6 | 16.7 Hz 50 Hz 60 Hz (Test Level 4) |
| Voltage | 300 V (1 s) |
| Comments | Criterion A |

Attenuated oscillating wave

| | |
|------------------------------|---|
| Standards/regulations | EN 61000-4-18 |
| Input, output (test level 1) | 100 kHz 1 MHz (Test Level 3 - symmetrical) |
| Voltage | 1 kV |
| Input, output (test level 2) | 10 MHz |
| Voltage | 1 kV |
| Input, output (test level 3) | 100 kHz 1 MHz (Test Level 3 - asymmetrical) |

Power supply unit - QUINT4-PS/1AC/48DC/5



2904610

<https://www.phoenixcontact.com/pc/products/2904610>

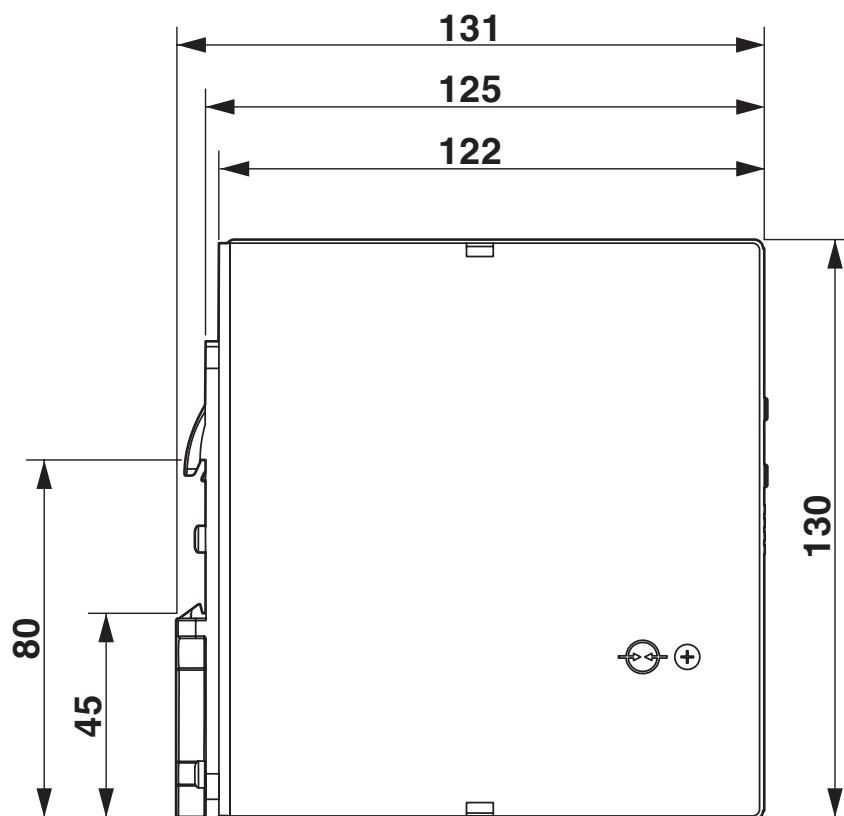
| | |
|------------------------|---|
| Voltage | 2.5 kV |
| Signals (test level 1) | 100 kHz 1 MHz (Test Level 3 - symmetrical) |
| Voltage | 1 kV |
| Signals (test level 2) | 100 kHz 1 MHz (Test Level 3 - asymmetrical) |
| Voltage | 2.5 kV |
| Comments | Criterion A |

Attenuated oscillating magnetic field

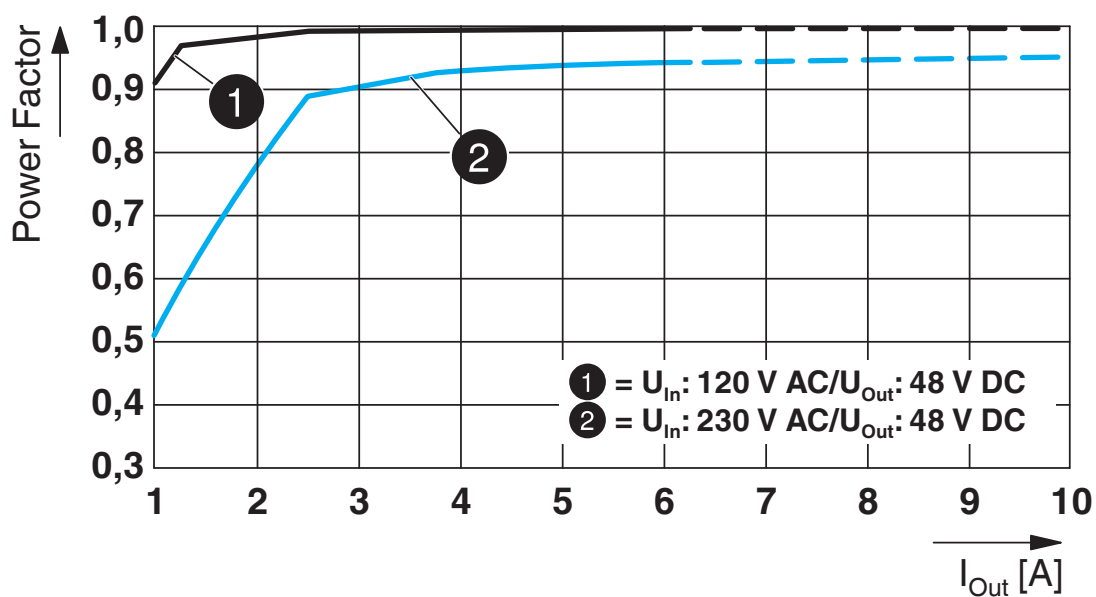
| | |
|-----------------------|--|
| Standards/regulations | EN 61000-4-10 |
| Test field strength | 110 A/m |
| Test level 1 | 100 kHz |
| Test field strength | 110 A/m |
| Test level 2 | 1 MHz |
| Comments | Criterion A |
| Criterion A | Normal operating behavior within the specified limits. |
| Criterion B | Temporary impairment to operational behavior that is corrected by the device itself. |
| Criterion C | Temporary adverse effects on the operating behavior, which the device corrects automatically or which can be restored by actuating the operating elements. |

Drawings

Dimensional drawing



Diagram



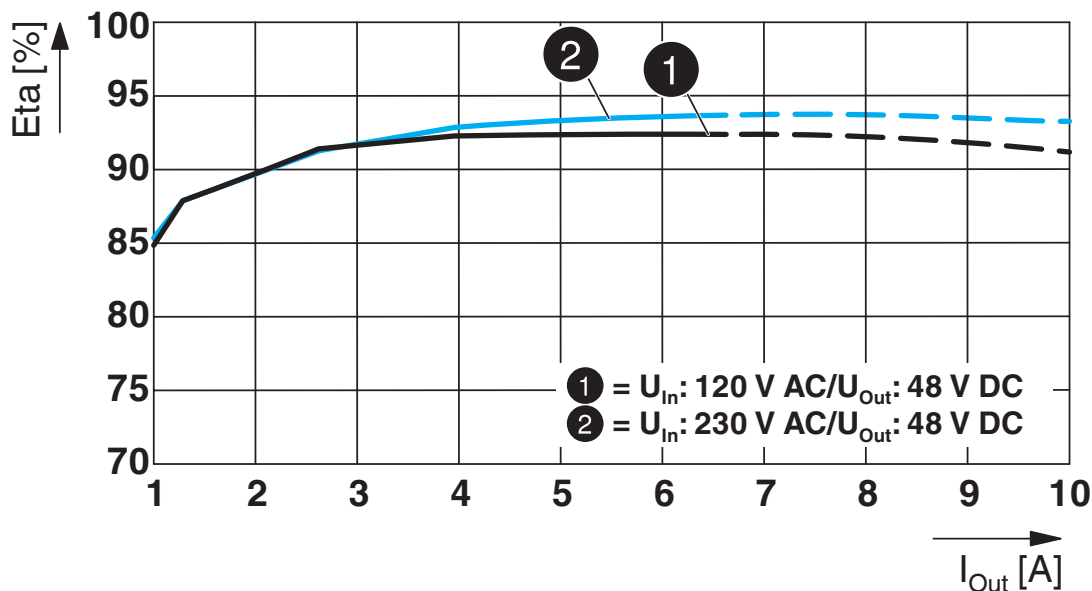
Power supply unit - QUINT4-PS/1AC/48DC/5



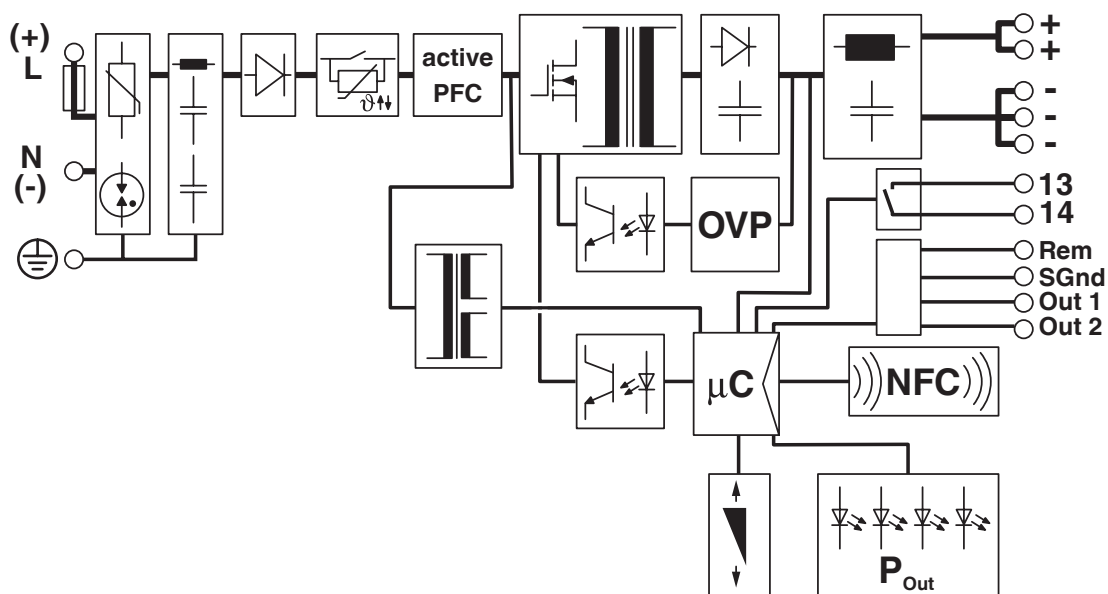
2904610

<https://www.phoenixcontact.com/pc/products/2904610>

Diagram

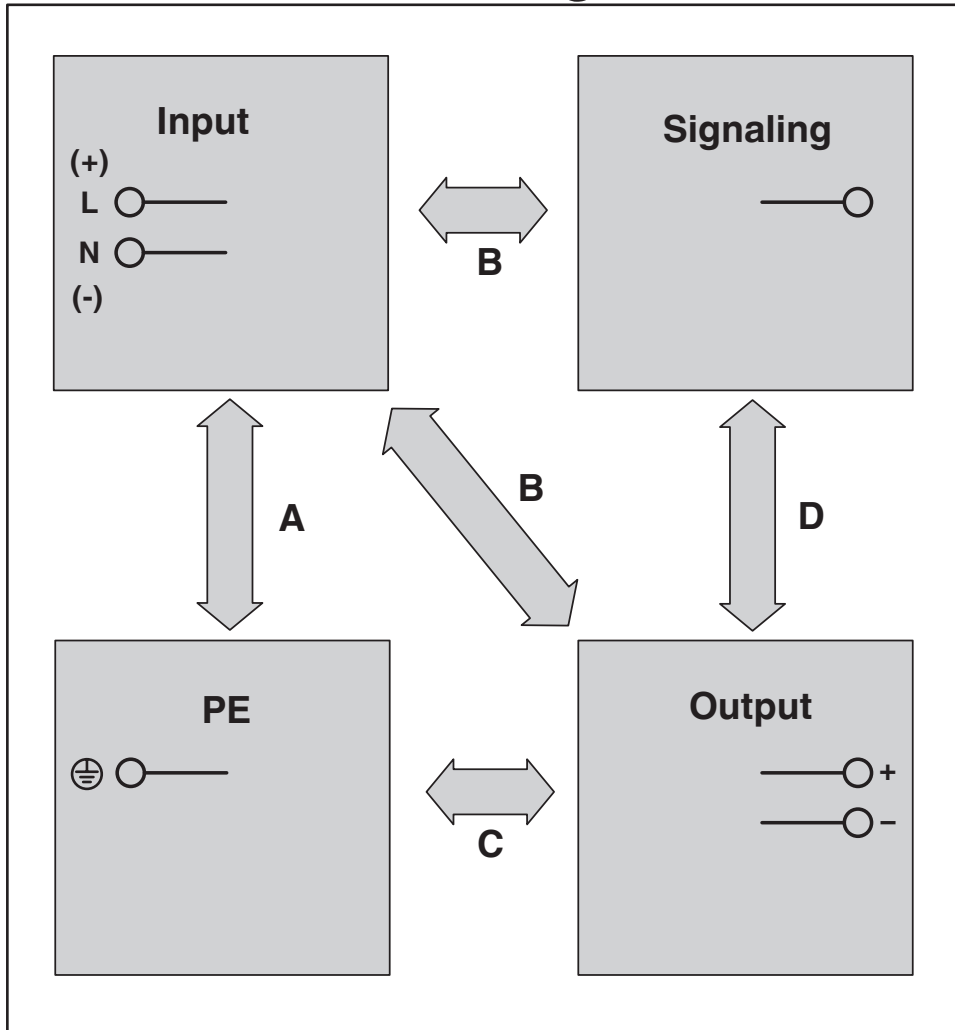


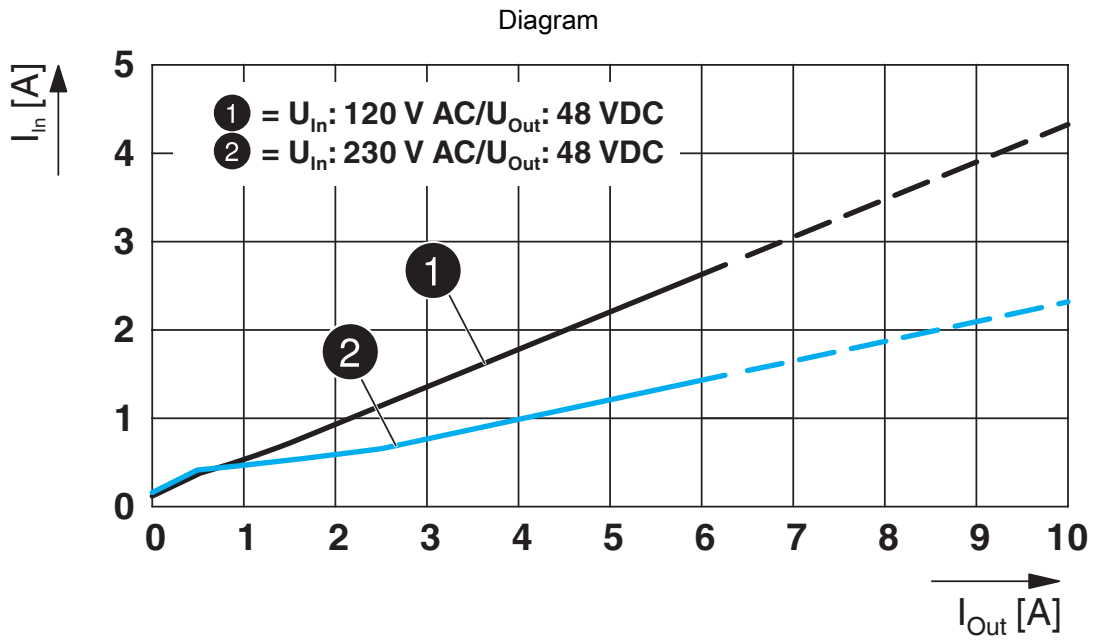
Block diagram



Schematic diagram

Housing





Power supply unit - QUINT4-PS/1AC/48DC/5



2904610

<https://www.phoenixcontact.com/pc/products/2904610>

Approvals



CSA

Approval ID: 70176673



cUL Recognized

Approval ID: FILE E 211944



UL Recognized

Approval ID: FILE E 211944



IECEE CB Scheme

Approval ID: SI-8858



EAC

Approval ID: RU S-DE.BL08.W.00764



LR

Approval ID: 17-20107-03



NK

Approval ID: TA21182M



UL Listed

Approval ID: FILE E 123528



cUL Listed

Approval ID: FILE E 123528

ABS

Approval ID: 20-1973616-PDA



CSAus

Approval ID: 70176673



EAC

Approval ID: RU S-DE.BL08.W.00764

Power supply unit - QUINT4-PS/1AC/48DC/5



2904610

<https://www.phoenixcontact.com/pc/products/2904610>



UL Recognized

Approval ID: FILE E 211944



IECEE CB Scheme

Approval ID: SI-8858



CSA

Approval ID: 70176673



cUL Recognized

Approval ID: FILE E 211944



cUL Listed

Approval ID: FILE E 123528



UL Listed

Approval ID: FILE E 123528

ABS

Approval ID: 20-1973616-PDA



NK

Approval ID: TA21182M



LR

Approval ID: 17-20107-03



EAC

Approval ID: RU S-DE.BL08.W.00764



EAC

Approval ID: RU S-DE.BL08.W.00764



CSAus

Approval ID: 70176673

Power supply unit - QUINT4-PS/1AC/48DC/5



2904610

<https://www.phoenixcontact.com/pc/products/2904610>

DNV

Approval ID: TAA00000BV

DNV

Approval ID: TAA00000BV



cUL Listed

Approval ID: FILE E 199827



UL Listed

Approval ID: FILE E 199827



UL Listed

Approval ID: FILE E 199827



cUL Listed

Approval ID: FILE E 199827

Power supply unit - QUINT4-PS/1AC/48DC/5



2904610

<https://www.phoenixcontact.com/pc/products/2904610>

Classifications

ECLASS

| | |
|---------------|----------|
| ECLASS-9.0 | 27040701 |
| ECLASS-10.0.1 | 27040701 |
| ECLASS-11.0 | 27040701 |

ETIM

| | |
|----------|----------|
| ETIM 8.0 | EC002540 |
|----------|----------|

UNSPSC

| | |
|-------------|----------|
| UNSPSC 21.0 | 39121000 |
|-------------|----------|

Power supply unit - QUINT4-PS/1AC/48DC/5



2904610

<https://www.phoenixcontact.com/pc/products/2904610>

Environmental Product Compliance

| | |
|------------|--|
| REACH SVHC | Lead 7439-92-1 |
| China RoHS | Environmentally Friendly Use Period = 25; |
| | For information on hazardous substances, refer to the manufacturer's declaration available under "Downloads" |

Power supply unit - QUINT4-PS/1AC/48DC/5



2904610

<https://www.phoenixcontact.com/pc/products/2904610>

Accessories

Mounting adapter

Mounting adapter - UWA 182/52 - 2938235

<https://www.phoenixcontact.com/pc/products/2938235>



Universal wall adapter for securely mounting the device in the event of strong vibrations. The device is screwed directly onto the mounting surface. The universal wall adapter is attached on the top/bottom.

Mounting adapter

Mounting adapter - UWA 130 - 2901664

<https://www.phoenixcontact.com/pc/products/2901664>



2-piece universal wall adapter for securely mounting the device in the event of strong vibrations. The profiles that are screwed onto the side of the device are screwed directly onto the mounting surface. The universal wall adapter is attached on the left/right.

Power supply unit - QUINT4-PS/1AC/48DC/5



2904610

<https://www.phoenixcontact.com/pc/products/2904610>

Mounting adapter

Mounting adapter - QUINT-PS-ADAPTERS7/1 - 2938196

<https://www.phoenixcontact.com/pc/products/2938196>

Assembly adapter for QUINT-PS... power supply on S7-300 rail



Programming adapter

Programming adapter - TWN4 MIFARE NFC USB ADAPTER - 2909681

<https://www.phoenixcontact.com/pc/products/2909681>

Near Field Communication (NFC) programming adapter with USB interface for the wireless configuration of NFC-capable products from PHOENIX CONTACT with software. No separate USB driver is required.



Power supply unit - QUINT4-PS/1AC/48DC/5

2904610

<https://www.phoenixcontact.com/pc/products/2904610>

Type 3 surge protection device

Type 3 surge protection device - PLT-SEC-T3-230-FM-UT - 2907919

<https://www.phoenixcontact.com/pc/products/2907919>



Type 2/3 surge protection, consisting of protective plug and base element with screw connection. For single-phase power supply network with integrated status indicator and remote signaling. Nominal voltage: 230 V AC/DC

Type 3 surge protection device

Type 3 surge protection device - PLT-SEC-T3-60-FM-UT - 2907917

<https://www.phoenixcontact.com/pc/products/2907917>



Type 3 surge protection, consisting of protective plug and base element, with integrated status indicator and remote signaling for single-phase power supply networks. Nominal voltage: 60 V AC/DC

Power supply unit - QUINT4-PS/1AC/48DC/5



2904610

<https://www.phoenixcontact.com/pc/products/2904610>

Type 3 surge protection device

Type 3 surge protection device - PLT-SEC-T3-230-FM-PT - 2907928

<https://www.phoenixcontact.com/pc/products/2907928>



Type 2/3 surge protection, consisting of protective plug and base element with Push-in connection. For single-phase power supply network with integrated status indicator and remote signaling. Nominal voltage: 230 V AC/DC

Type 3 surge protection device

Type 3 surge protection device - PLT-SEC-T3-60-FM-PT - 2907926

<https://www.phoenixcontact.com/pc/products/2907926>



Type 3 surge protection, consisting of protective plug and base element, with integrated status indicator and remote signaling for single-phase power supply networks. Nominal voltage: 60 V AC/DC

Phoenix Contact 2022 © - all rights reserved
<https://www.phoenixcontact.com>

PHOENIX CONTACT GmbH & Co. KG
Flachsmarktstraße 8
D-32825 Blomberg
+49 (0) 5235-3 00
info@phoenixcontact.com