

FO converters - PSM-EG-RS485W4/FO-T/G



2761651

<https://www.phoenixcontact.com/in/products/2761651>

Please be informed that the data shown in this PDF document is generated from our Online Catalog. Please find the complete data in the user documentation. Our General Terms of Use for Downloads are valid.



T-coupler for converting RS-485 4-wire cable to two fiber optic cables, fiberglass, connection system: B-FOC, rail-mountable

Commercial Data

Item number	2761651
Packing unit	1 pc
Minimum order quantity	1 pc
Product Key	DNC222
Catalog Page	Page 393 (IF-2002)
GTIN	4017918139513
Weight per Piece (including packing)	317.32 g
Weight per Piece (excluding packing)	272.2 g
Country of origin	DE

Technical Data

Product properties

Product type	Media converter
MTBF	255 Years (Telcordia standard, 25°C temperature, 21% operating cycle (5 days a week, 8 hours a day))
	55 Years (Telcordia standard, 40°C temperature, 34.25% operating cycle (5 days a week, 12 hours a day))

Electrical properties

Electrical isolation	VCC // RS-485
Maximum power dissipation for nominal condition	2.64 W
Test voltage data interface/power supply	2 kV AC

Supply

Nominal supply voltage	24 V DC ±20 %
Typical current consumption	max. 110 mA

Output data

Switching

Output name	Relay output
Output description	Alarm output
Number of outputs	1
Maximum switching voltage	60 V AC/DC
Limiting continuous current	1 A

Connection data

Supply

Tightening torque	0.56 Nm ... 0.79 Nm
-------------------	---------------------

Interfaces

Bit distortion	≤ 2 %
Bit delay	≤ 1 μs
Signal	Modbus
	MELSEC-NET S3
	DIN measuring bus
	OPTOMUX
	SYSMAC-WAY
Transmission channels	2 (1/1), RxD, TxD, full duplex

Data: optical FO

Transmission power	28.18 μW (-15,5 dBm at 50/125 μm)
	63.1 μW (-12 dBm at 62,5/125 μm)
Transmit capacity, minimum	-15.5 dBm (50/125 μm)

FO converters - PSM-EG-RS485W4/FO-T/G



2761651

<https://www.phoenixcontact.com/in/products/2761651>

	-12 dBm (62,5/125 µm)
Transmission length incl. 3 dB system reserve	2700 m (with F-G 50/125 2.5 dB/km)
	2100 m (with F-G 50/125 3.0 dB/km)
	2900 m (with F-G 50/125 3.4 dB/km)
	3300 m (with F-G 62,5/125 3.0 dB/km)
	2600 m (with F-G 50/125 2.5 dB/km)
Transmission protocol	Protocol-transparent to the RS-485 interface
Connection method	B-FOC (ST®)
Wavelength	850 nm
Minimum receiver sensitivity	-25 dBm (50/125 µm)
	-25 dBm (62,5/125 µm)
Transmission medium	Multi-mode fiberglass

Data: RS-485 interface, 4-wire

Serial transmission speed	4.8...128 kbps
Connection method	D-SUB-15 socket
	COMBICON
Termination resistor	220 Ω bus termination; 390 pull up/down, can be connected
Conductor cross section flexible max.	2.5 mm²
Conductor cross section flexible min.	0.2 mm²
Conductor cross section AWG max.	14
Conductor cross section AWG min.	24
Transmission medium	Copper
File format/coding	any

Dimensions

Width	45 mm
Height	75 mm
Depth	120 mm

Cable / line

FO cable

Fiber types	50/125 µm
	62.5/125 µm
	Fiberglass

Environmental and real-life conditions

Ambient conditions

Degree of protection	IP20
Ambient temperature (operation)	0 °C ... 50 °C

Mounting

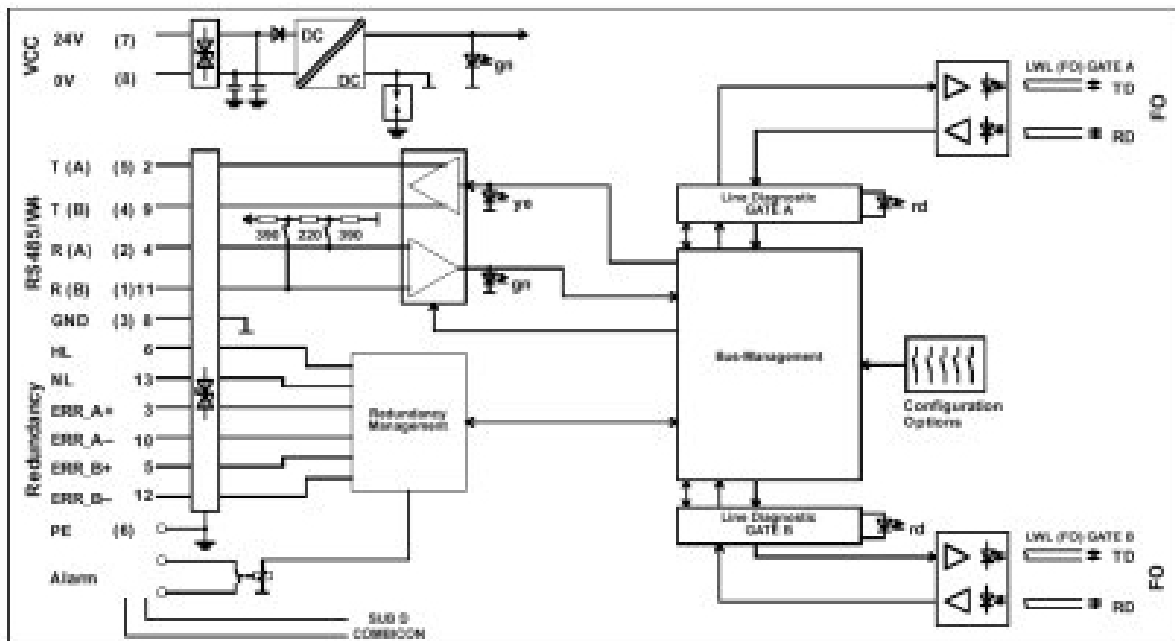
Mounting type	DIN rail mounting
---------------	-------------------

2761651

<https://www.phoenixcontact.com/in/products/2761651>

Drawings

Circuit diagram



FO converters - PSM-EG-RS485W4/FO-T/G



2761651

<https://www.phoenixcontact.com/in/products/2761651>

Environmental Product Compliance

China RoHS	Environmentally Friendly Use Period = 50 years For information on hazardous substances, refer to the manufacturer's declaration available under "Downloads"
------------	--

Phoenix Contact 2023 © - all rights reserved
<https://www.phoenixcontact.com>

PHOENIX CONTACT (I) Pvt. Ltd.
A-58/2, Okhla Industrial Area, Phase - II, New Delhi-110 020

+91.1275.71420
info@phoenixcontact.co.in