



**Automatización Eléctrica**  
Especialistas en Automatización

At the end of this document you will find links to products related to this catalog. You can go directly to our shop by clicking [HERE](#). [HERE](#)

## Loop-powered isolators - MCR-2CLP-I-I-00 - 2814029

Please be informed that the data shown in this PDF Document is generated from our Online Catalog. Please find the complete data in the user's documentation. Our General Terms of Use for Downloads are valid (<http://phoenixcontact.com/download>)



MCR passive isolator, for the electrical isolation of current signals without auxiliary power, 2-channel, input signal: 0(4)...20 mA, output signal: 0(4)...20 mA

### Why buy this product

- 1, 2 or 4-channel version as an option
- 0/4 ... 20 mA current signals
- Electrical isolation without additional auxiliary voltage



### Key Commercial Data

Packing unit	1 STK
GTIN	 4 017918 131715

### Technical data

#### Dimensions

Width	12.5 mm
Height	99 mm
Depth	114.5 mm

#### Ambient conditions

Ambient temperature (operation)	-10 °C ... 70 °C
Degree of protection	IP20

#### Input data

Description of the input	Current input
Configurable/programmable	no
Current input signal	0 mA ... 20 mA
	4 mA ... 20 mA
Max. input voltage	30 V (30 V overload)
Max. input current	50 mA (100 mA overload)

# Loop-powered isolators - MCR-2CLP-I-I-00 - 2814029

## Technical data

### Input data

Response current	< 50 $\mu$ A
Input voltage limitation	33 V (with Zener diode)
Voltage dissipation	2.5 V (I = 20 mA)

### Output data

Output name	Current output
Configurable/programmable	no
Current output signal	0 mA ... 20 mA
	4 mA ... 20 mA
Max. output current	< 50 mA
Load/output load current output	$\leq$ 1375 $\Omega$ (at I = 20 mA output signal)
Transmission Behavior	1:1 to input signal

### Power supply

Supply voltage range	no separate supply voltage necessary
----------------------	--------------------------------------

### Connection data

Connection method	Pluggable screw connection
Conductor cross section solid min.	0.2 mm <sup>2</sup>
Conductor cross section solid max.	2.5 mm <sup>2</sup>
Conductor cross section AWG min.	24
Conductor cross section AWG max.	14
Conductor cross section flexible min.	0.2 mm <sup>2</sup>
Conductor cross section flexible max.	2.5 mm <sup>2</sup>
Stripping length	8 mm
Screw thread	M3

### General

No. of channels	2
Maximum transmission error	$\leq$ 0.1 % (of final value)
Maximum temperature coefficient	$\leq$ 0.002 %/K (of measured value / 100 $\Omega$ load)
Additional error, load-dependent	0.02 % (of measured value)
Limit frequency (3 dB)	< 75 Hz
Step response (10-90%)	5 ms (with 500 $\Omega$ load)
Test voltage input/output	510 V (50 Hz, 1 min.)
Color	green
Housing material	Polyamide PA non-reinforced
Mounting position	any
Conformance	CE-compliant
UL, USA / Canada	cULus

### Standards and Regulations

Connection in acc. with standard	CUL
----------------------------------	-----

# Loop-powered isolators - MCR-2CLP-I-I-00 - 2814029

## Technical data

### Standards and Regulations

Conformance	CE-compliant
UL, USA / Canada	cULus

## Classifications

### eCl@ss

eCl@ss 4.0	27210120
eCl@ss 4.1	27210120
eCl@ss 5.0	27210120
eCl@ss 5.1	27210120
eCl@ss 6.0	27210120
eCl@ss 7.0	27210120
eCl@ss 8.0	27210120

### ETIM

ETIM 2.0	EC001485
ETIM 3.0	EC001485
ETIM 4.0	EC001485
ETIM 5.0	EC002653

### UNSPSC

UNSPSC 6.01	30211506
UNSPSC 7.0901	39121008
UNSPSC 11	39121008
UNSPSC 12.01	39121008
UNSPSC 13.2	39121008

## Approvals

### Approvals

---

#### Approvals

UL Recognized / cUL Recognized / EAC / EAC / cULus Recognized

---

#### Ex Approvals

---

#### Approvals submitted

---

### Approval details

# Loop-powered isolators - MCR-2CLP-I-I-00 - 2814029

## Approvals

UL Recognized

cUL Recognized

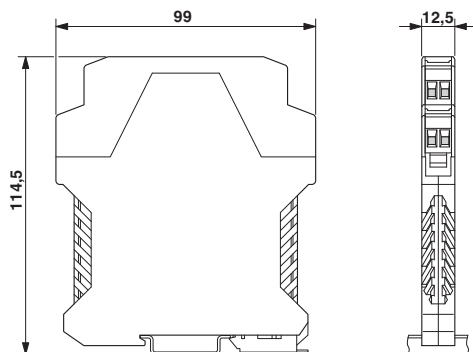
EAC

EAC

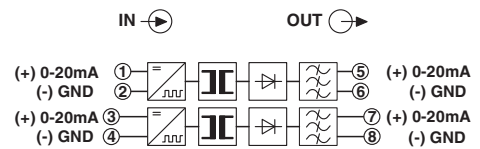
cULus Recognized

## Drawings

Dimensional drawing

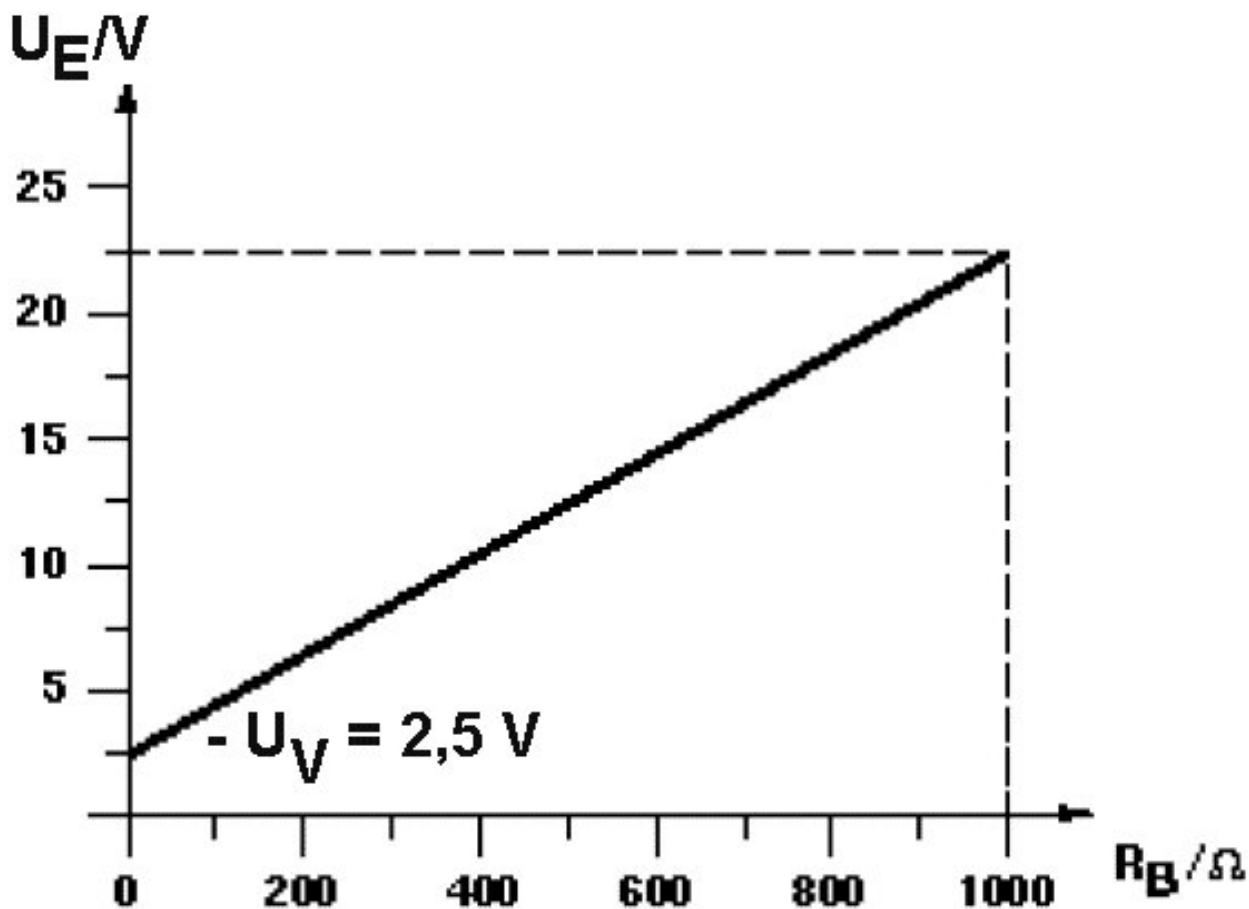


Circuit diagram



## Loop-powered isolators - MCR-2CLP-I-I-00 - 2814029

Diagram





Below is a list of articles with direct links to our shop Electric Automation Network where you can see:

- Quote per purchase volume in real time.
- Online documentation and datasheets of all products.
- Estimated delivery time enquiry in real time.
- Logistics systems for the shipment of materials almost anywhere in the world.
- Purchasing management, order record and tracking of shipments.

To access the product, [click on the green button.](#)

<b>Product</b>	<b>Code</b>	<b>Reference</b>	<b>Product link</b>
MCR passive isolator, for the electrical isolation of current signals without auxiliary power, 2-channel, input signal: 0 (4)...20 mA, output signal: 0(4)...20 mA	2814029	MCR-2CLP-I-I-00	<a href="#">Buy on EAN</a>