

# MINI MCR-SL-RPS-I-I - Repeater power supply



2864422

<https://www.phoenixcontact.com/pc/products/2864422>

Please be informed that the data shown in this PDF document is generated from our Online Catalog. Please find the complete data in the user documentation. Our General Terms of Use for Downloads are valid.



MCR repeater power supplies, screw connection, input signal: (0)4..20 mA, output signal: (0)4..20 mA

## Product Description

The 6.2 mm wide MINI MCR-SL-RPS-I-I... repeater power supply supplies transmitters in the field and electrically isolates the input signal from the output signal. The module can be used in both isolator and repeater power supply operation. Electrically isolated 0...20 mA or 4...20 mA analog standard signals are available on the input and output side. The power supply (19.2 V DC to 30 V DC) can be supplied via connection terminal blocks on the modules or in conjunction with the DIN rail connector.

## Your advantages

- Power supply possible via the foot element (TBUS)
- Can be used as an isolator with passive input
- Highly-compact repeater power supplies for electrical isolation, amplification, and filtering of standard analog signals
- 3-way isolation
- Supply of 2-conductor and passive 3-conductor sensors

## Commercial Data

Item number	2864422
Packing unit	1 pc
Minimum order quantity	1 pc
Product Key	CK1211
Catalog Page	Page 99 (C-7-2015)
GTIN	4017918956165
Weight per Piece (including packing)	89.3 g
Weight per Piece (excluding packing)	72 g
Customs tariff number	85437090
Country of origin	DE

# MINI MCR-SL-RPS-I-I - Repeater power supply



2864422

<https://www.phoenixcontact.com/pc/products/2864422>

## Technical Data

### Notes

#### Utilization restriction

EMC note	EMC: class A product, see manufacturer's declaration in the download area
----------	---

### Product properties

Product type	Repeater power supplies
Product family	MINI Analog
No. of channels	1

#### Insulation characteristics

Overvoltage category	II
Pollution degree	2

### Electrical properties

No. of channels	1
Electrical isolation	3-way isolation
Electrical isolation between input and output	yes
Limit frequency (3 dB)	approx. 100 Hz
Maximum power dissipation for nominal condition	508 mW (24 V DC) 208 mW (24 V DC)
Protective circuit	Transient protection
Signal transmission behavior	In = Out
Step response (10-90%)	□ 3.5 ms
Maximum temperature coefficient	< 0.01 %/K
Temperature coefficient, typical	< 0.002 %/K
Maximum transmission error	≤ 0.2 % (of final value)
Transmission error, typical	≤ 0.1 % (of final value)

#### Electrical isolation Input/output/power supply

Rated insulation voltage	50 V AC/DC
Test voltage	1.5 kV AC (50 Hz, 60 s)
Insulation	Basic insulation in accordance with IEC/EN 61010

#### Supply

Nominal supply voltage	24 V DC
Supply voltage range	19.2 V DC ... 30 V DC (The DIN rail connector (ME 6,2 TBUS-2 1,5/5-ST-3,81 GN, item no. 2869728) can be used to bridge the supply voltage. It can be snapped onto a 35 mm DIN rail in accordance with EN 60715)
Power consumption	< 900 mW (at 24 V DC and in repeater power supply operation) < 600 mW (at 24 V DC and in isolator operation)

### Input data

# MINI MCR-SL-RPS-I-I - Repeater power supply



2864422

<https://www.phoenixcontact.com/pc/products/2864422>

## Signal: Current

Description of the input	Sensor circuit
Number of inputs	1
Current input signal	0 mA ... 20 mA (isolator operation) 4 mA ... 20 mA (repeater power supply and isolator operation)
Max. current input signal	28 mA
Input resistance current input	approx. 50 $\Omega$
Transmitter supply voltage	$U_B$ - max. 4.5 V for load 0 mA ... 20 mA
Transmitter supply voltage range	14.7 V DC ... 25.5 V DC

## Output data

### Signal: Current

Number of outputs	1
Non-load voltage	approx. 12.5 V
Current output signal	0 mA ... 20 mA (isolator operation) 4 mA ... 20 mA (repeater power supply and isolator operation)
Max. current output signal	28 mA
Load/output load current output	$\leq 500 \Omega$ (I = 20 mA)
Ripple	< 20 mV <sub>rms</sub> (at 500 $\Omega$ )

## Connection data

Connection method	Screw connection
Stripping length	12 mm
Screw thread	M3
Conductor cross section solid	0.2 mm <sup>2</sup> ... 2.5 mm <sup>2</sup>
Conductor cross section flexible	0.2 mm <sup>2</sup> ... 2.5 mm <sup>2</sup>
Conductor cross section AWG	26 ... 12

## Material specifications

Fire protection for rail vehicles (DIN EN 45545-2) R22	HL 1 - HL 2
Fire protection for rail vehicles (DIN EN 45545-2) R23	HL 1 - HL 2
Fire protection for rail vehicles (DIN EN 45545-2) R24	HL 1 - HL 2
Housing material	PBT

## Environmental and real-life conditions

### Ambient conditions

Degree of protection	IP20
Ambient temperature (operation)	-20 °C ... 60 °C
Ambient temperature (storage/transport)	-40 °C ... 85 °C
Altitude	$\leq 2000$ m
Permissible humidity (operation)	5 % ... 95 % (non-condensing)

## Approval data

# MINI MCR-SL-RPS-I-I - Repeater power supply



2864422

<https://www.phoenixcontact.com/pc/products/2864422>

## CE

Certificate	CE-compliant
-------------	--------------

## UKCA

Certificate	UKCA-compliant
-------------	----------------

## UL, USA/Canada

Identification	UL 508 Recognized
	Class I, Div. 2, Groups A, B, C, D T5

## Shipbuilding approval

Certificate	DNV GL TAA000020N
-------------	-------------------

## DNV GL data

Temperature	B
Humidity	B
Vibration	B
EMC	A
Enclosure	Required protection according to the Rules shall be provided upon installation on board

## EMC data

Electromagnetic compatibility	Conformance with EMC directive
Noise emission	EN 61000-6-4
Noise immunity	EN 61000-6-2
Note	When being exposed to interference, there may be minimal deviations.

## Electrostatic discharge

Standards/regulations	EN 61000-4-2
-----------------------	--------------

## Electrostatic discharge

Comments	Safety measures must be taken to prevent electrostatic discharge.
----------	---

## Electromagnetic HF field

Designation	Electromagnetic RF field
Standards/regulations	EN 61000-4-3
Typical deviation from the measuring range final value	10 %

## Fast transients (burst)

Designation	Fast transients (burst)
Standards/regulations	EN 61000-4-4
Typical deviation from the measuring range final value	10 %

## Surge current load (surge)

Standards/regulations	EN 61000-4-5
-----------------------	--------------

## Surge current load (surge)

# MINI MCR-SL-RPS-I-I - Repeater power supply



2864422

<https://www.phoenixcontact.com/pc/products/2864422>

Comments	Criterion B
Conducted interference	
Designation	Conducted interferences
Standards/regulations	EN 61000-4-6
Typical deviation from the measuring range final value	10 %

## Standards and regulations

Electrical isolation	3-way isolation
----------------------	-----------------

## Mounting

Mounting type	DIN rail mounting
Assembly instructions	The DIN rail connector (ME 6,2 TBUS-2 1,5/5-ST-3,81 GN, item no. 2869728) can be used to bridge the supply voltage. It can be snapped onto a 35 mm DIN rail in accordance with EN 60715.
Mounting position	any

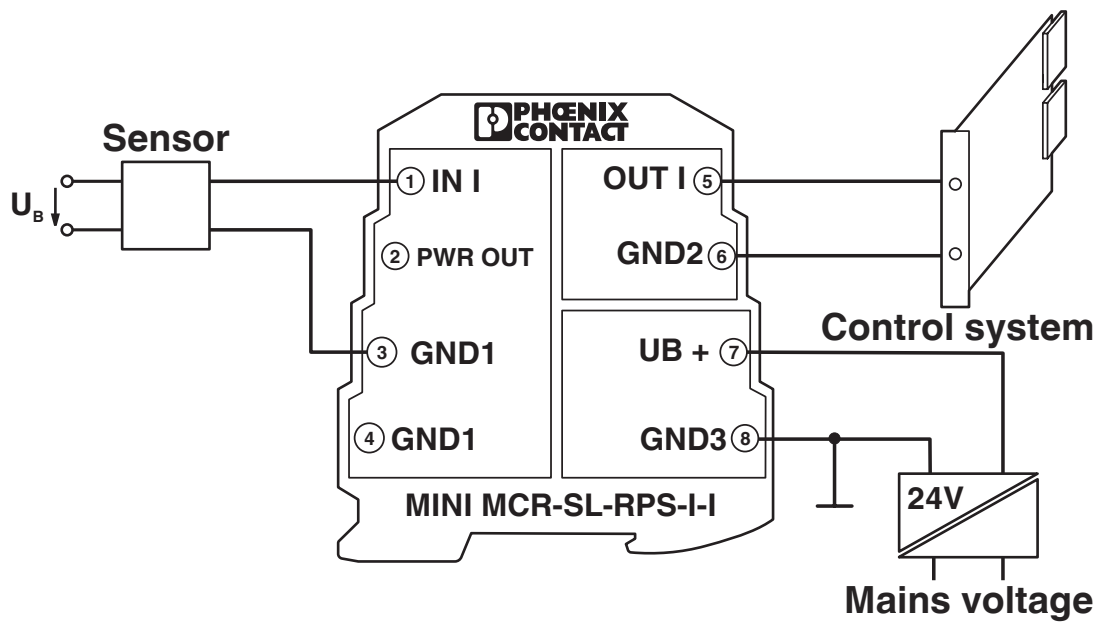
# MINI MCR-SL-RPS-I-I - Repeater power supply

2864422

<https://www.phoenixcontact.com/pc/products/2864422>

## Drawings

Application drawing



Isolator operation with an active sensor

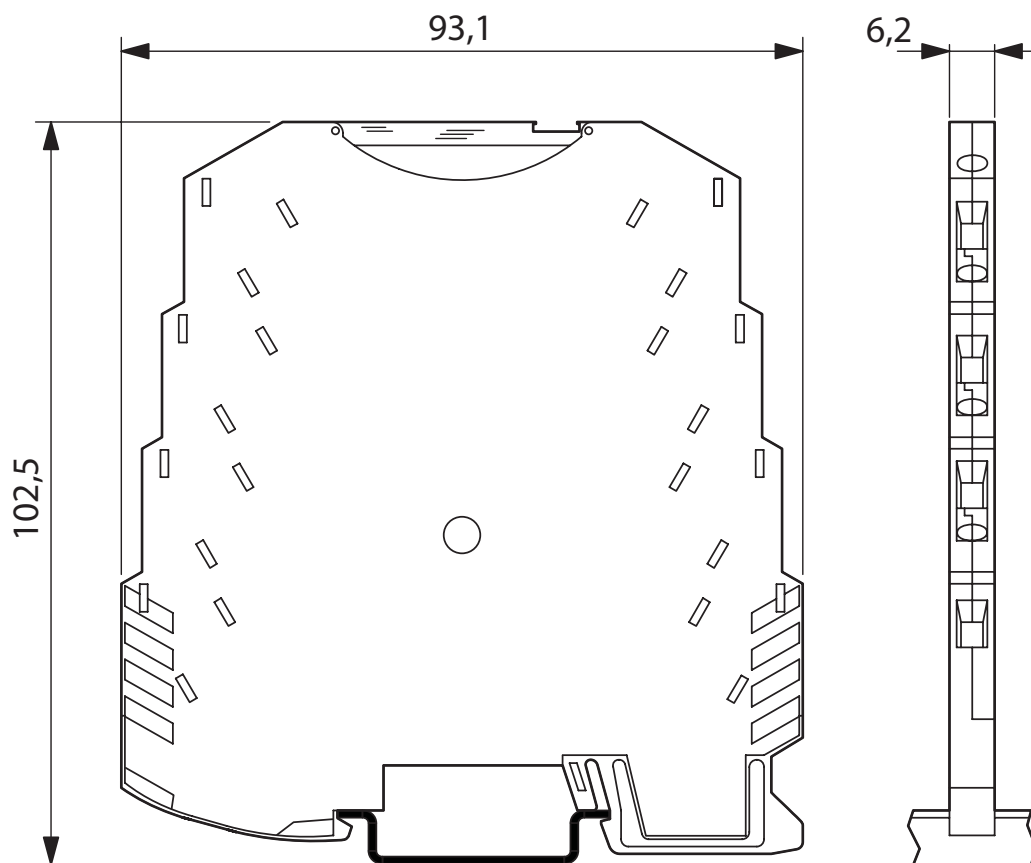
# MINI MCR-SL-RPS-I-I - Repeater power supply

2864422

<https://www.phoenixcontact.com/pc/products/2864422>



Dimensional drawing

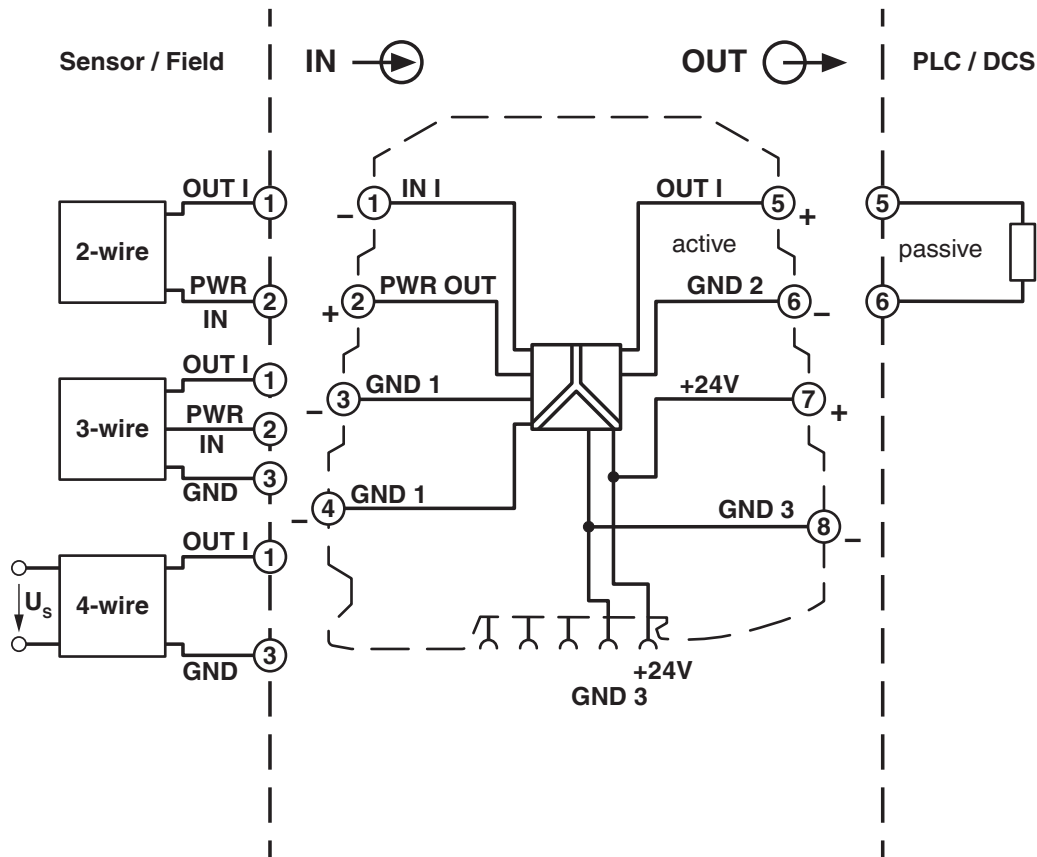


# MINI MCR-SL-RPS-I-I - Repeater power supply

2864422

<https://www.phoenixcontact.com/pc/products/2864422>

Block diagram



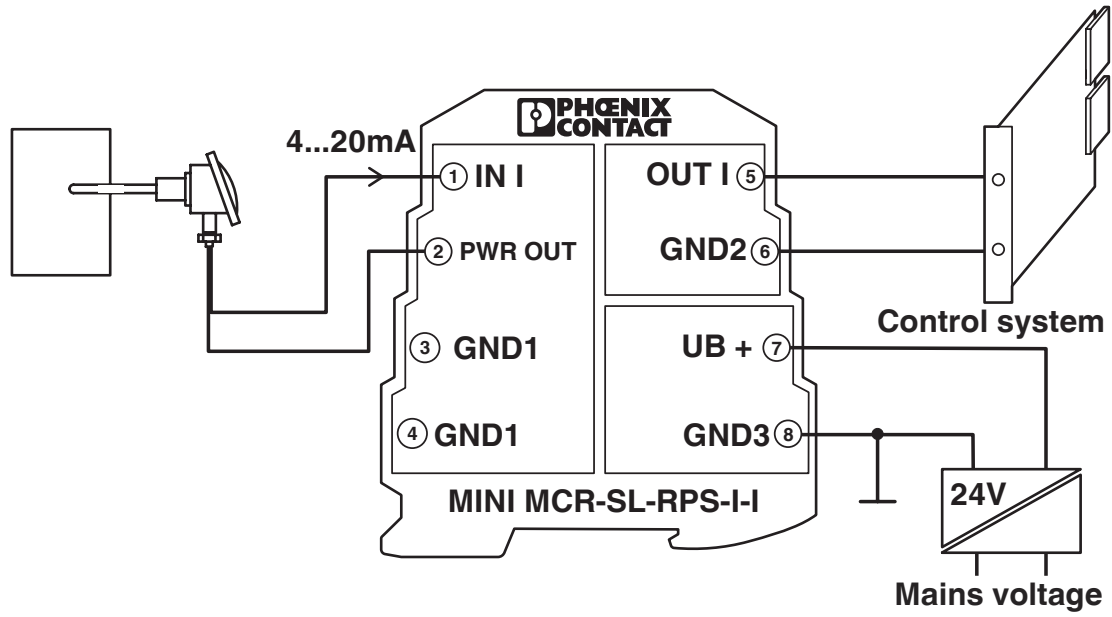


# MINI MCR-SL-RPS-I-I - Repeater power supply

2864422

<https://www.phoenixcontact.com/pc/products/2864422>

Application drawing



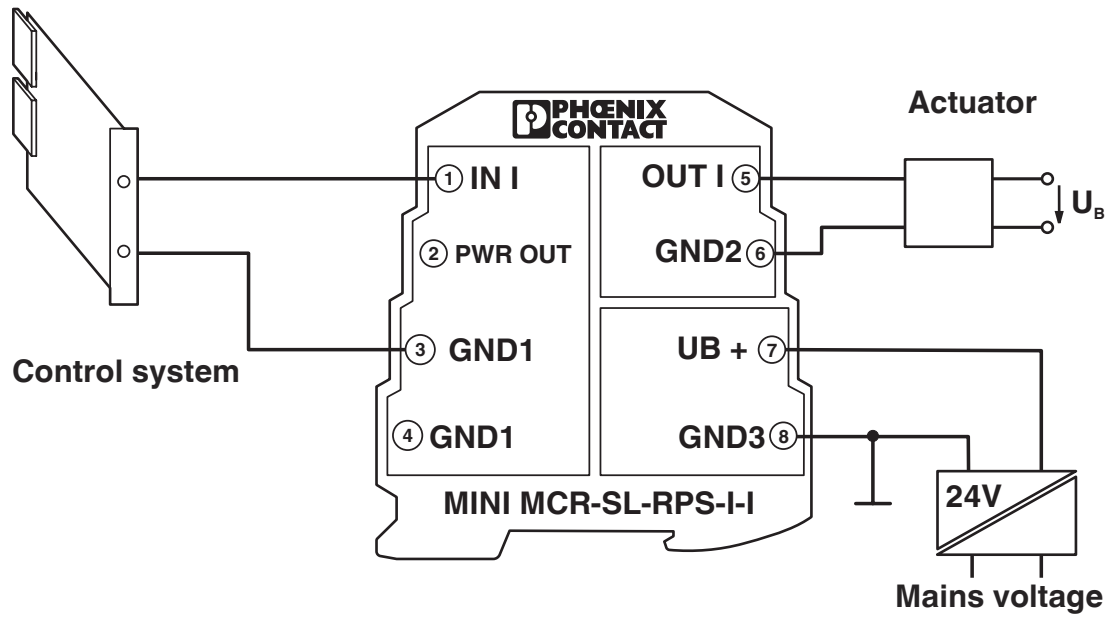
Repeater power supply operation with a passive sensor

# MINI MCR-SL-RPS-I-I - Repeater power supply

2864422

<https://www.phoenixcontact.com/pc/products/2864422>

Application drawing



Isolator operation at the analog output module

# MINI MCR-SL-RPS-I-I - Repeater power supply



2864422

<https://www.phoenixcontact.com/pc/products/2864422>

## Approvals



**cUL Recognized**  
Approval ID: FILE E 238705



**UL Recognized**  
Approval ID: FILE E 238705



**DNV GL**  
Approval ID: TAA000020N



**cUL Listed**  
Approval ID: FILE E 199827



**UL Listed**  
Approval ID: FILE E 199827

# MINI MCR-SL-RPS-I-I - Repeater power supply



2864422

<https://www.phoenixcontact.com/pc/products/2864422>

## Classifications

### ECLASS

ECLASS-9.0	27210120
ECLASS-10.0.1	27210120
ECLASS-11.0	27210120
ECLASS-12.0	27210120

### ETIM

ETIM 8.0	EC002653
----------	----------

### UNSPSC

UNSPSC 21.0	39121000
-------------	----------

# MINI MCR-SL-RPS-I-I - Repeater power supply



2864422

<https://www.phoenixcontact.com/pc/products/2864422>

## Environmental Product Compliance

REACH SVHC	Lead 7439-92-1
China RoHS	Environmentally Friendly Use Period = 50 years
	For information on hazardous substances, refer to the manufacturer's declaration available under "Downloads"

# MINI MCR-SL-RPS-I-I - Repeater power supply



2864422

<https://www.phoenixcontact.com/pc/products/2864422>

## Accessories

### TC-D37SUB-AIO16-M-PS-UNI - Module carrier

2902934

<https://www.phoenixcontact.com/pc/products/2902934>



Universal termination carrier for connecting 16 MINI Analog signal conditioners to digital or analog I/O cards, via D-SUB connector, 37-pos. (1:1 connection), with HART multiplexer connection

---

### TC-D37SUB-ADIO16-M-P-UNI - Module carrier

2902933

<https://www.phoenixcontact.com/pc/products/2902933>



Universal termination carrier for connecting 16 MINI Analog signal conditioners to digital or analog I/O cards, via D-SUB connector, 37-pos. (1:1 connection)

# MINI MCR-SL-RPS-I-I - Repeater power supply

2864422

<https://www.phoenixcontact.com/pc/products/2864422>



## MINI MCR-SL-PTB - Power terminal block

2864134

<https://www.phoenixcontact.com/pc/products/2864134>



MCR power terminal block for supplying several MINI Analog modules via the DIN rail connector, with screw connection, maximum current consumption of up to 2 A

---

## QUINT4-SYS-PS/1AC/24DC/2.5/SC - Power supply unit

2904614

<https://www.phoenixcontact.com/pc/products/2904614>



Primary-switched power supply, QUINT POWER, screw connection, DIN rail mounting, supply of devices possible via the TBUS DIN rail connector, protective coating, input: single-phase, output: 24 V DC/2.5 A

## MINI MCR-SL-RPS-I-I - Repeater power supply

2864422

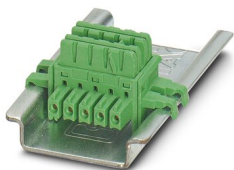
<https://www.phoenixcontact.com/pc/products/2864422>



## ME 6,2 TBUS-2 1,5/5-ST-3,81 GN - DIN rail bus connectors

2869728

<https://www.phoenixcontact.com/pc/products/2869728>



DIN rail connector for DIN rail mounting. Universal for TBUS housing. Gold-plated contacts, 5-pos.

---

## MINI MCR DKL - Transparent cover

2308111

<https://www.phoenixcontact.com/pc/products/2308111>



Fold up transparent cover for MINI MCR modules with additional labeling option using insert strips and flat Zack marker strip 6.2 mm



# MINI MCR-SL-RPS-I-I - Repeater power supply

2864422

<https://www.phoenixcontact.com/pc/products/2864422>



## MINI MCR-DKL-LABEL - Marking label

2810272

<https://www.phoenixcontact.com/pc/products/2810272>

Label for extended marking of MINI MCR modules in connection with the MINI MCR-DKL



---

Phoenix Contact 2023 © - all rights reserved

<https://www.phoenixcontact.com>

PHOENIX CONTACT GmbH & Co. KG

Flachsmarktstraße 8

D-32825 Blomberg

+49 (0) 5235-3 00

[info@phoenixcontact.com](mailto:info@phoenixcontact.com)