

TC EXTENDER 2001 ETH-2S - Ethernet extenders



2702409

<https://www.phoenixcontact.com/pc/products/2702409>

Please be informed that the data shown in this PDF document is generated from our Online Catalog. Please find the complete data in the user documentation. Our General Terms of Use for Downloads are valid.



Second generation: Unmanaged Ethernet extender for point-to-point connections, line and ring structures, data rates up to 30 Mbps, distances of up to 20 km on in-house copper cables, diagnostics via USB and LEDs, 2 SHDSL ports, 1 LAN port

Product Description

The Ethernet extender makes broadband Ethernet applications on existing cables possible. It is the successor to the first generation PSI MODEM SHDSL/ETH, Item No. 2313643. The Ethernet extender can be used for in-house 2 and 4-wire cables, but not in the public telephone network. Point-to-point, line or ring structures can be established, with ranges of up to 20 km. You can use the Ethernet extender in a network with first generation devices (PSI-MODEM-SHDSL/ETH from firmware version 4.xx). The Ethernet extender can also be combined with managed Ethernet extenders: TC EXTENDER 6004 ETH-2S, Item No. 2702255 and TC EXTENDER 4001 ETH-1S, Item No. 2702253. This enables the central diagnosis of all users and lines via IP.

Your advantages

- Distances up to 20 km
- Up to 15.3 Mbps in 2-wire operation
- Up to 30 Mbps in 4-wire operation
- Robust modulation method (SHDSL)
- Automatic SHDSL data rate detection
- Transparent transmission of all standard Ethernet protocols, including EtherNet/IP™, Modbus/TCP, PROFINET, PROFIsafe, EtherCAT[®], KNX, BACnet/IP
- Network transparent (no IP configuration required)
- Automatic detection of network cable type (auto MDI(X))
- Automatic network data rate detection (10/100 Mbps)
- Easy startup, plug and play
- Future proof (IPv4 and IPv6-compatible)
- 2 digital outputs for alerting external controllers

Commercial Data

Item number	2702409
Packing unit	1 pc
Minimum order quantity	1 pc
Product Key	DNC442
Catalog Page	Page 349 (C-6-2019)
GTIN	4055626162560
Weight per Piece (including packing)	267.6 g
Weight per Piece (excluding packing)	258.7 g

TC EXTENDER 2001 ETH-2S - Ethernet extenders



2702409

<https://www.phoenixcontact.com/pc/products/2702409>

Customs tariff number	85176200
Country of origin	DE

Technical Data

Notes

Utilization restriction

CCCex note	Use in potentially explosive areas is not permitted in China.
------------	---

Product properties

Product type	Ethernet extenders
MTTF	711 Years (SN 29500 standard, temperature 25°C, operating cycle 21%)
	308 Years (SN 29500 standard, temperature 40°C, operating cycle 34.25%)
	125 Years (SN 29500 standard, temperature 40°C, operating cycle 100%)

System properties

Functionality

Basic functions	Ethernet extenders in accordance with ITU-T G.991.2
-----------------	---

Electrical properties

Electrical isolation	VCC // Ethernet // DSL (A) // DSL (B) // FE
Mains type	Permanent line
Test voltage data interface/power supply	500 V AC (In accordance with EN/IEC 60079-7)
	1.5 kV AC (50 Hz, 1 min.)

Supply

Supply voltage range	18 V DC ... 30 V DC
Nominal supply voltage	24 V DC $\pm 5\%$ (as an alternative or redundant, via backplane bus contact and system current supply)
	5 V DC (configuration only, via mini-USB type B)
Typical current consumption	< 180 mA (24 V DC)
Max. current consumption	≤ 2 A (For operation in a joining station, via the DIN rail connector)
Connection method	COMBICON plug-in screw terminal block

Function

Status and diagnostic indicators	LEDs: US (supply voltage), ACT/LINK (Ethernet data traffic), ERR (errors) 2x LINK / 2x STAT (DSL data traffic port A and port B), DIAG (diagnostic messages)
----------------------------------	---

Output data

Signal

Output name	Digital output
Number of outputs	2

TC EXTENDER 2001 ETH-2S - Ethernet extenders



2702409

<https://www.phoenixcontact.com/pc/products/2702409>

Voltage output signal	18 V DC ... 30 V DC (depending on the operating voltage)
Current output signal	≤ 150 mA (Short-circuit-proof)
Behavior of outputs	Deactivated for device supply via DIN rail connector

Connection data

Supply

Connection method	COMBICON plug-in screw terminal block
Tightening torque	0.56 Nm ... 0.79 Nm

Interfaces

Signal	Ethernet
Basic functions	Ethernet extenders in accordance with ITU-T G.991.2

Data: Ethernet interface, 10/100Base-T(X) in accordance with IEEE 802.3

Serial transmission speed	10/100 Mbps, auto negotiation
Connection method	RJ45 jack, shielded
	1 port 10/100Base-T(X), auto negotiation
No. of channels	1
Transmission length	< 100 m (shielded twisted pair)
Protocols supported	Protocol-transparent for TCP/IP, IPv4, and IPv6

Data: SHDSL interface according to ITU-T G.991.2.bis

Serial transmission speed	4-wire operation: 64 kbps ... 30 Mbps 2-wire operation: 32 kbps ... 15.3 Mbps
Connection method	2 x 2-pos. COMBICON plug-in screw terminal blocks
No. of channels	2 (2-wire operation)
Tightening torque	0.56 Nm ... 0.79 Nm
Transmission length	< 20 km (Depending on data rate and cable cross section)
Conductor cross section flexible max.	2.5 mm ²
Conductor cross section flexible min.	0.2 mm ²
Conductor cross section, rigid max.	2.5 mm ²
Conductor cross section, rigid min.	0.2 mm ²
Max. AWG conductor cross section, flexible	14
Min. AWG conductor cross section, flexible	24
Single-wire/terminal point, rigid AWG max.	14
Single-wire/terminal point, rigid AWG min.	24
Stripping length	7 mm

Data: USB 2.0

Connection method	Mini-USB type B, 5-pos.
Transmission length	< 5 m (only for configuration and diagnostics)

Dimensions

Width	35 mm
Height	99 mm

Depth	114.5 mm
-------	----------

Environmental and real-life conditions

Ambient conditions

Degree of protection	IP20
Ambient temperature (operation)	-20 °C ... 60 °C (Freestanding (40 mm spacing to the right and left), no supply of other modules via the device)
	-20 °C ... 55 °C (Mounted in rows with zero spacing and low power dissipation of aligned modules)
	-20 °C ... 50 °C (Mounted in rows with zero spacing)
	-20 °C ... 45 °C (aligned without spacing and supply of other modules via the device, 1.5 A)
Ambient temperature (storage/transport)	-40 °C ... 85 °C
Altitude	≤ 5000 m (For restrictions, see the manufacturer's declaration for altitude operation)
Permissible humidity (operation)	10 % ... 95 % (non-condensing)
Permissible humidity (storage/transport)	10 % ... 95 % (non-condensing)

Approvals

CE

Certificate	CE-compliant
-------------	--------------

ATEX

Identification	<input type="checkbox"/> II 3 G Ex ec IIC T4 Gc
Certificate	PxCIF11ATEX2313643X
Note	Please follow the special installation instructions in the documentation!

UKEX

Identification	<input type="checkbox"/> II 3 G Ex ec IIC T4 Gc
Certificate	PxCIMA22UKEX2313643X

UL, USA/Canada

Identification	508 Listed
----------------	------------

Corrosive gas test

Identification	ISA-S71.04-1985 G3 Harsh Group A
----------------	----------------------------------

EMC data

Electromagnetic compatibility	Conformance with EMC Directive 2014/30/EU
-------------------------------	---

Electrostatic discharge

Standards/regulations	EN 61000-4-2
-----------------------	--------------

Electrostatic discharge

Contact discharge	± 6 kV
Discharge in air	± 8 kV
Indirect discharge	± 6 kV

TC EXTENDER 2001 ETH-2S - Ethernet extenders



2702409

<https://www.phoenixcontact.com/pc/products/2702409>

Comments	Criterion B
Electromagnetic HF field	
Standards/regulations	EN 61000-4-3
Electromagnetic HF field	
Frequency range	80 MHz ... 3 GHz
Field intensity	10 V/m
Comments	Criterion A
Fast transients (burst)	
Standards/regulations	EN 61000-4-4
Fast transients (burst)	
Input	± 2 kV
Signal	± 2 kV
Comments	Criterion B
Surge current load (surge)	
Standards/regulations	EN 61000-4-5
Surge current load (surge)	
Input	± 0.5 kV (sym./asym.)
Output	± 1 kV (asymmetrical, unshielded)
Signal	± 1 kV (asymmetrical, shielded Ethernet cable) ± 1 kV (asymmetrical: line to ground, unshielded SHDSL cable)
Comments	Criterion A
Conducted interference	
Standards/regulations	EN 61000-4-6
Conducted interference	
Frequency range	0.15 MHz ... 80 MHz
Comments	Criterion A
Voltage	10 V
Emitted interference	
Standards/regulations	EN 55011
Comments	Class A, industrial applications
Criteria	
Criterion A	Normal operating behavior within the specified limits.
Criterion B	Temporary impairment to operational behavior that is corrected by the device itself.

Standards and regulations

Standards/regulations	EN 50121-4
-----------------------	------------

Mounting

TC EXTENDER 2001 ETH-2S - Ethernet extenders



2702409

<https://www.phoenixcontact.com/pc/products/2702409>

Mounting type	DIN rail: 35 mm
Assembly instructions	The product can be snapped onto all 35 mm DIN rails in accordance with EN 60715.

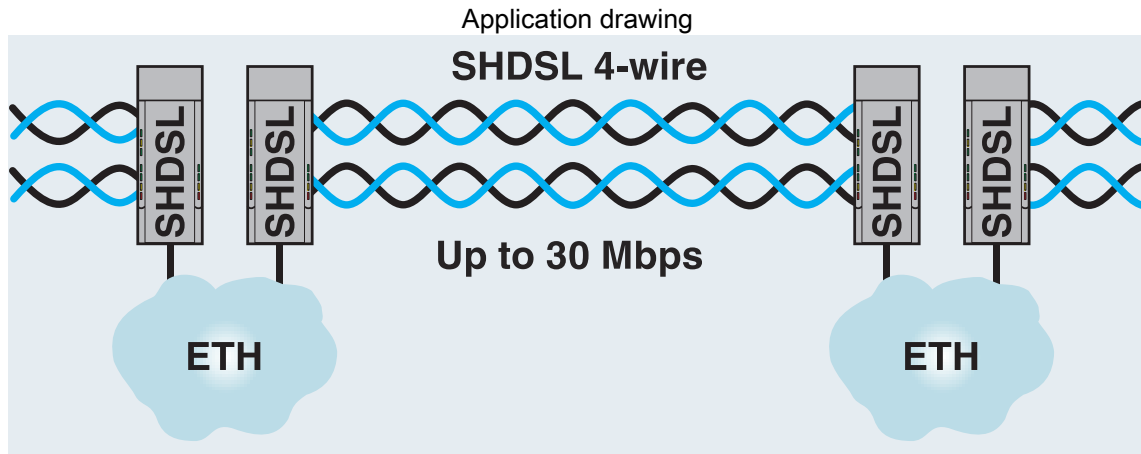
TC EXTENDER 2001 ETH-2S - Ethernet extenders



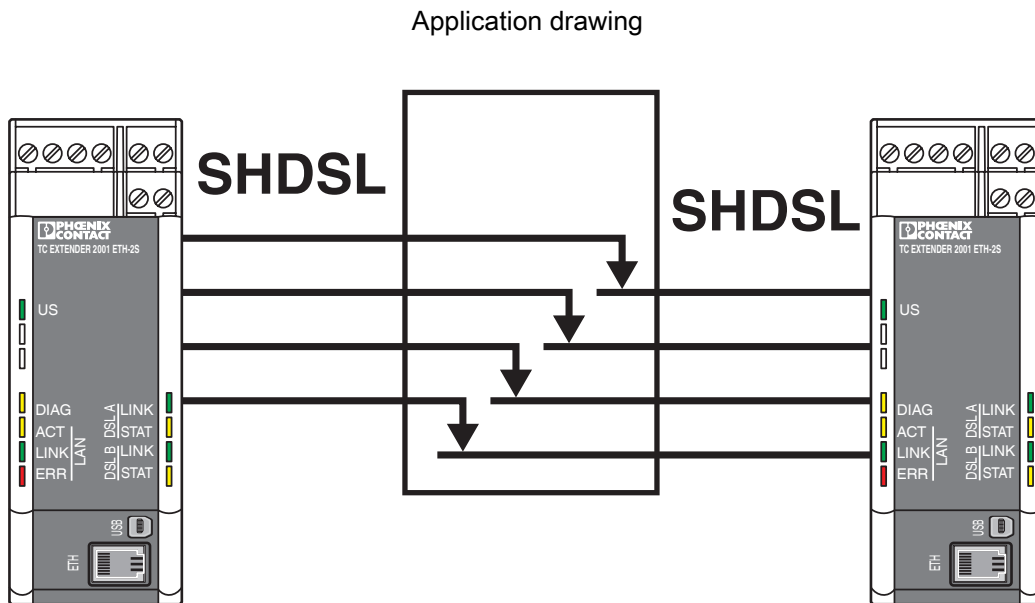
2702409

<https://www.phoenixcontact.com/pc/products/2702409>

Drawings



Linear structure (4-wire)



Slip ring communication

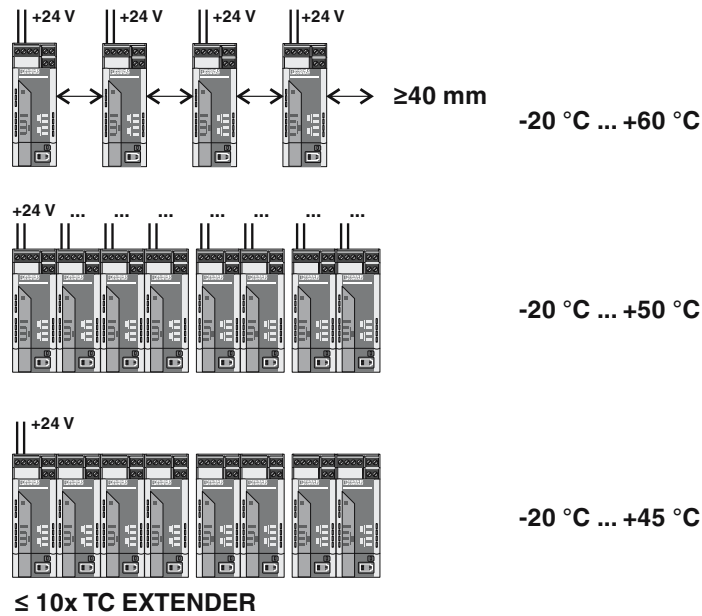
TC EXTENDER 2001 ETH-2S - Ethernet extenders



2702409

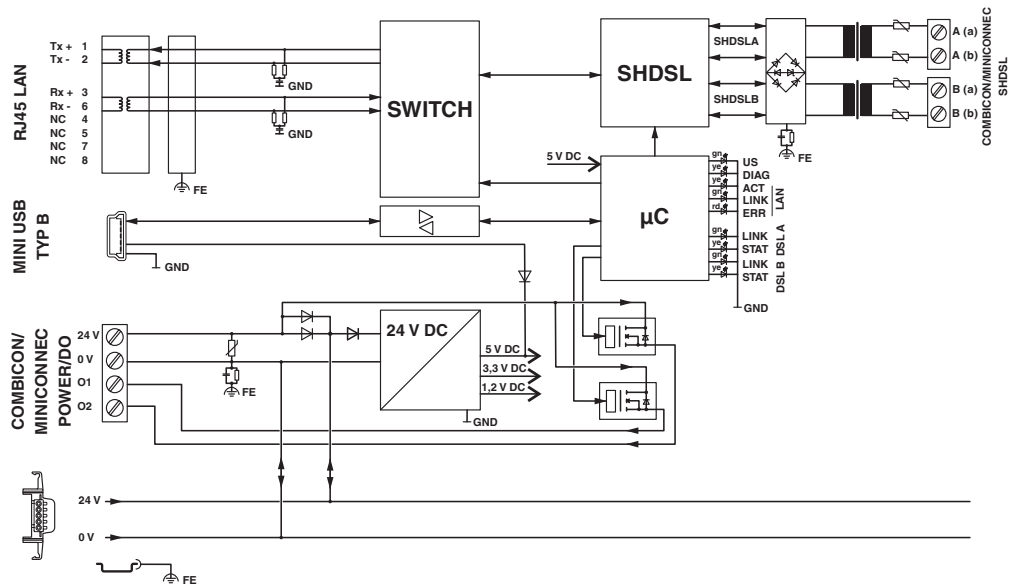
<https://www.phoenixcontact.com/pc/products/2702409>

Application drawing



Restrictions for combined assembly

Circuit diagram



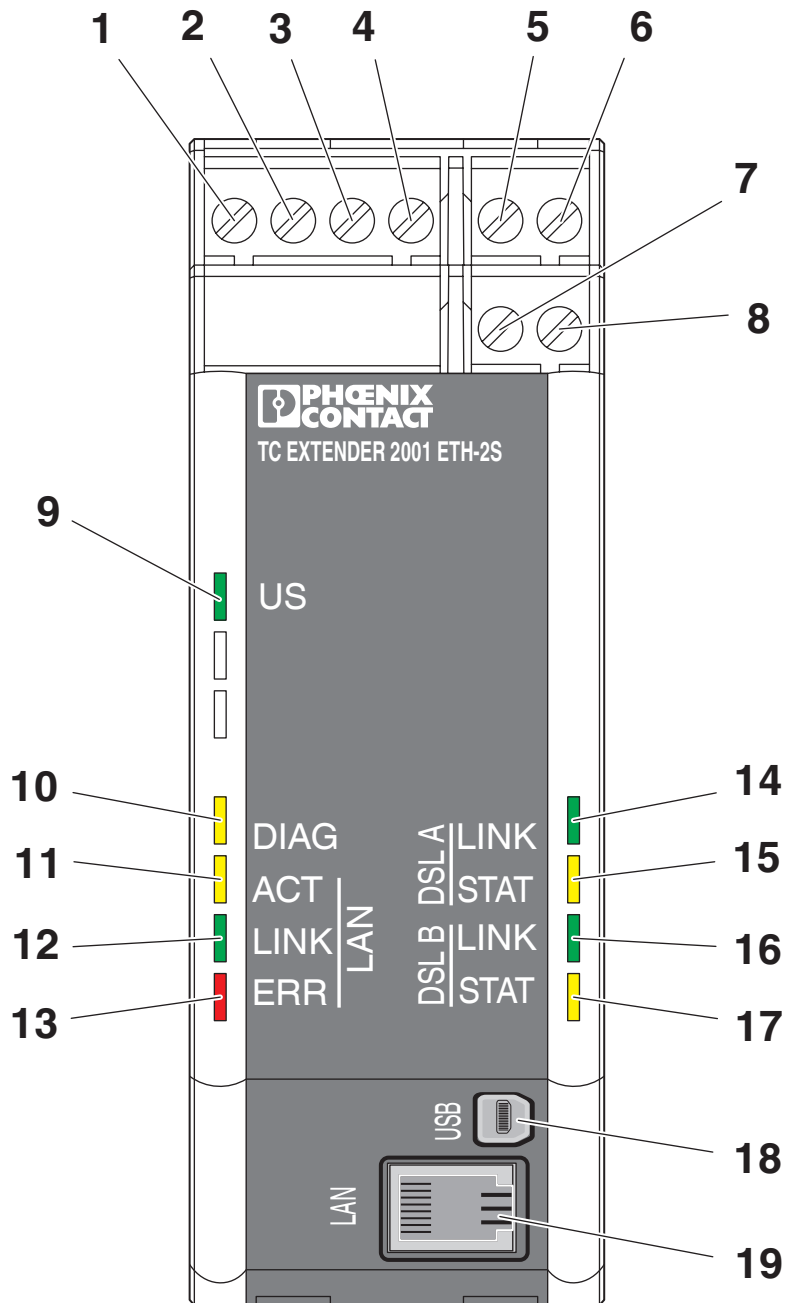
TC EXTENDER 2001 ETH-2S - Ethernet extenders



2702409

<https://www.phoenixcontact.com/pc/products/2702409>

Schematic diagram

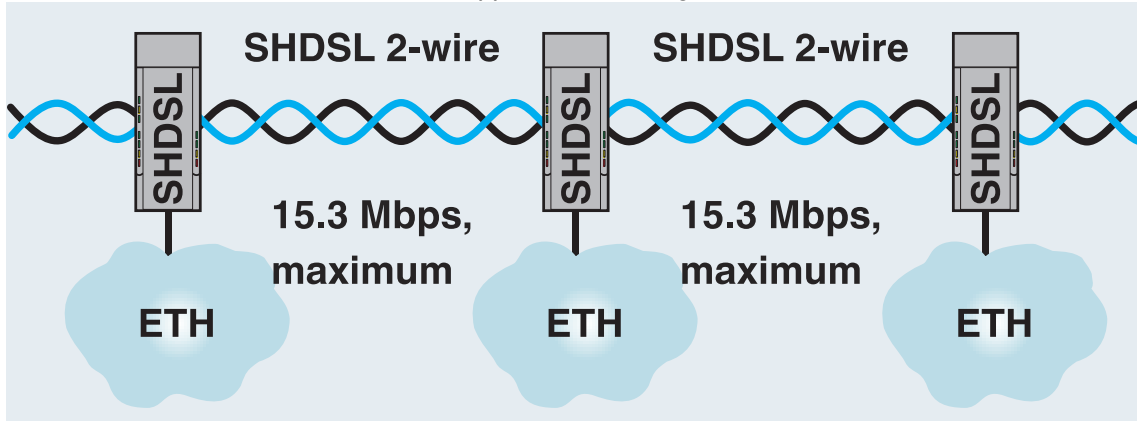


Front view

2702409

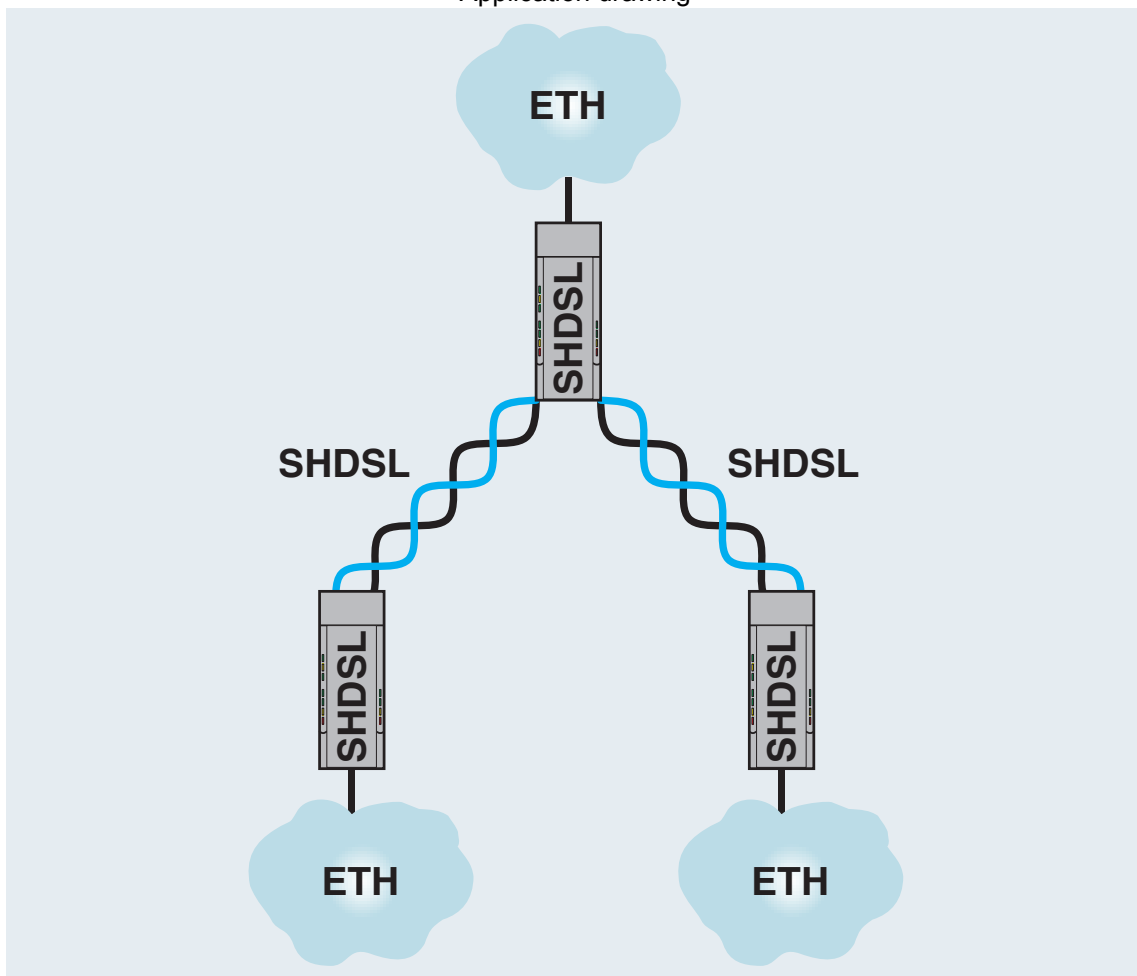
<https://www.phoenixcontact.com/pc/products/2702409>

Application drawing



Linear structure (2-wire)

Application drawing



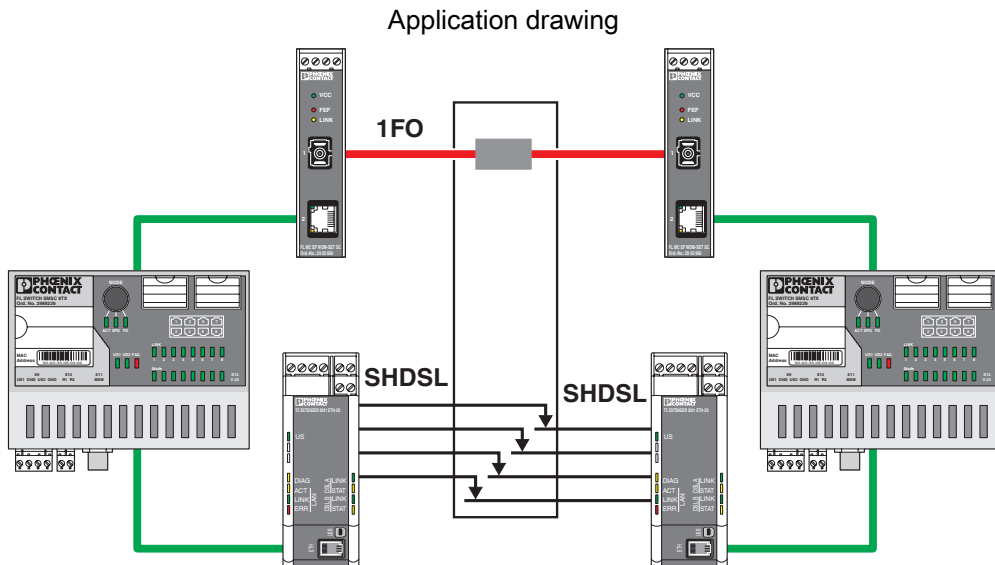
Star structure

TC EXTENDER 2001 ETH-2S - Ethernet extenders

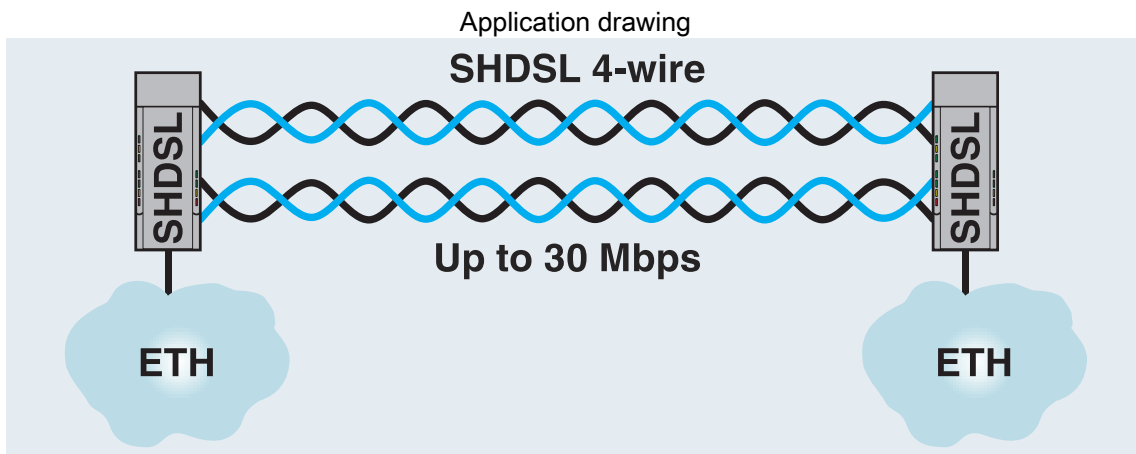


2702409

<https://www.phoenixcontact.com/pc/products/2702409>



Redundant slip ring communication

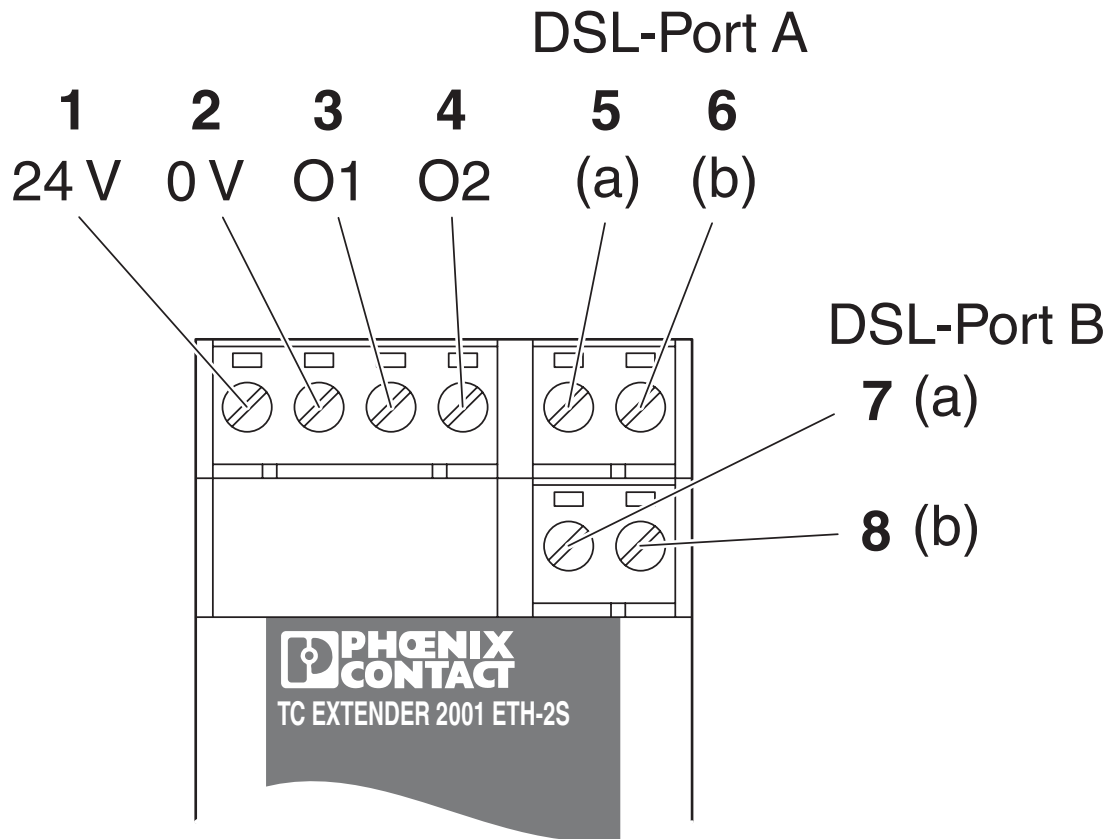


Point-to-point connection (4-wire)

2702409

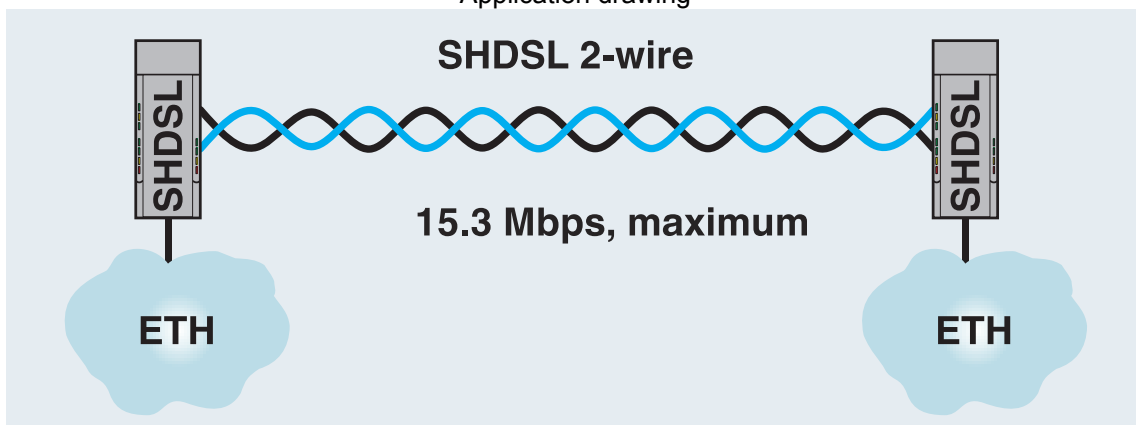
<https://www.phoenixcontact.com/pc/products/2702409>

Schematic diagram



Device connections

Application drawing



Point-to-point connection (2-wire)

TC EXTENDER 2001 ETH-2S - Ethernet extenders



2702409

<https://www.phoenixcontact.com/pc/products/2702409>

Approvals

To download certificates, visit the product detail page: <https://www.phoenixcontact.com/pc/products/2702409>



UL Listed

Approval ID: FILE E 238705



cUL Listed

Approval ID: FILE E 238705



ATEX

Approval ID: PxCIF11ATEX2313643X

TC EXTENDER 2001 ETH-2S - Ethernet extenders



2702409

<https://www.phoenixcontact.com/pc/products/2702409>

Classifications

ECLASS

ECLASS-11.0	19170407
ECLASS-12.0	19170407
ECLASS-13.0	19170407

ETIM

ETIM 8.0	EC000309
----------	----------

UNSPSC

UNSPSC 21.0	43223100
-------------	----------

TC EXTENDER 2001 ETH-2S - Ethernet extenders



2702409

<https://www.phoenixcontact.com/pc/products/2702409>

Environmental Product Compliance

REACH SVHC	Lead 7439-92-1
China RoHS	Environmentally Friendly Use Period = 50 years
	For information on hazardous substances, refer to the manufacturer's declaration available under "Downloads"

TC EXTENDER 2001 ETH-2S - Ethernet extenders



2702409

<https://www.phoenixcontact.com/pc/products/2702409>

Accessories

QUINT4-SYS-PS/1AC/24DC/2.5/SC - Power supply unit

2904614

<https://www.phoenixcontact.com/pc/products/2904614>

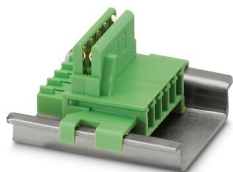


Primary-switched power supply, QUINT POWER, screw connection, DIN rail mounting, supply of devices possible via the TBUS DIN rail connector, protective coating, input: single-phase, output: 24 V DC/2.5 A

ME 17,5 TBUS 1,5/ 5-ST-3,81 GN - DIN rail bus connectors

2709561

<https://www.phoenixcontact.com/pc/products/2709561>



DIN rail connector for DIN rail mounting. Universal for TBUS housing. Gold-plated contacts, 5-pos.

TC EXTENDER 2001 ETH-2S - Ethernet extenders



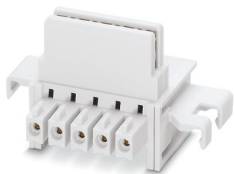
2702409

<https://www.phoenixcontact.com/pc/products/2702409>

ME 17,5 TBUS 1,5/ 5-ST-3,81 KMGY - DIN rail bus connectors

2713645

<https://www.phoenixcontact.com/pc/products/2713645>



DIN rail connector, color: light grey, nominal current: 8 A (parallel contacts), rated voltage (III/2): 125 V, number of positions: 5, pitch: 3.81 mm, mounting: DIN rail mounting, locking: without, mounting: without, type of packaging: packed in cardboard, Item with gold-plated contacts, bus connectors for connecting with electronics housings, 5 parallel contacts

DT-TELE-SHDSL - Surge protection device

2801593

<https://www.phoenixcontact.com/pc/products/2801593>



Attachment plug with surge protection for two SHDSL telecommunications interfaces (ports). Connection: RJ45 (RJ12/RJ11) and plug-in screw terminal block (COMBICON). Alternatively, can be snapped onto a DIN rail.

TC EXTENDER 2001 ETH-2S - Ethernet extenders



2702409

<https://www.phoenixcontact.com/pc/products/2702409>

CABLE-USB/MINI-USB-3,0M - USB cable

2986135

<https://www.phoenixcontact.com/pc/products/2986135>

USB connecting cable: USB plug type A to USB plug type Mini-B; length: 3 m

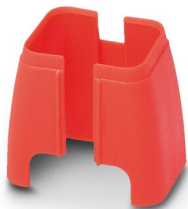


FL PATCH SAFE CLIP - Port Guard Security Element

2891246

<https://www.phoenixcontact.com/pc/products/2891246>

Security element for FL patch cable



TC EXTENDER 2001 ETH-2S - Ethernet extenders

2702409

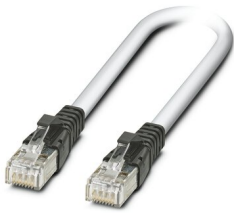
<https://www.phoenixcontact.com/pc/products/2702409>

FL CAT5 PATCH 0,5 - Patch cable

2832263

<https://www.phoenixcontact.com/pc/products/2832263>

Patch cable, CAT5, assembled, 0.5 m



FL CAT5 PATCH 5,0 - Patch cable

2832580

<https://www.phoenixcontact.com/pc/products/2832580>

Patch cable, CAT5, assembled, 5 m



TC EXTENDER 2001 ETH-2S - Ethernet extenders



2702409

<https://www.phoenixcontact.com/pc/products/2702409>

FL CAT5 HEAVY CONF/ - Network cable

2744827

<https://www.phoenixcontact.com/pc/products/2744827>



CAT5-SF/UTP cable (J-02YS(ST)C HP 2 x 2 x 24 AWG), heavy-duty installation cable, 2 x 2 x 0.22 mm², solid conductor, shielded, outer sheath: 7.8 mm diameter, inner sheath: 5.75 mm ± 0.15 mm diameter, preassembled on both sides with RJ45 plug, crossover or line

SCC 10-NS35 - Shield connection clamp

1019440

<https://www.phoenixcontact.com/pc/products/1019440>



Shield connection clamp, number of positions: 1, connection method: Spring-cage connection, mounting type: NS 35/7,5, NS 35/15, color: black

TC EXTENDER 2001 ETH-2S - Ethernet extenders

2702409

<https://www.phoenixcontact.com/pc/products/2702409>



TC EXTENDER 6004 ETH-2S - Ethernet extenders

2702255

<https://www.phoenixcontact.com/pc/products/2702255>



Managed Ethernet extender, point-to-point, line and ring structures, data rates up to 30 Mbps, distances of up to 20 km on in-house copper cables, replaceable surge protection, 2 SHDSL ports, 4-port switch, diagnostics via display and Ethernet

TC EXTENDER 4001 ETH-1S - Ethernet extenders

2702253

<https://www.phoenixcontact.com/pc/products/2702253>



Managed Ethernet extender, point-to-point connections, data rates up to 15.3 Mbps, distances of up to 20 km on in-house copper cables, replaceable surge protection, 1 SHDSL port, 1 LAN port, diagnostics via Ethernet

TC EXTENDER 2001 ETH-2S - Ethernet extenders



2702409

<https://www.phoenixcontact.com/pc/products/2702409>

VS-08-RJ45-5-Q/IP20 - RJ45 connector

1656725

<https://www.phoenixcontact.com/pc/products/1656725>



RJ45 connector, design: RJ45, degree of protection: IP20, number of positions: 8, 1 Gbps, CAT5, material: Plastic, connection method: Insulation displacement connection, connection cross section: AWG 26- 23, cable outlet: straight, color: traffic grey A RAL 7042, Ethernet

Phoenix Contact 2023 © - all rights reserved

<https://www.phoenixcontact.com>

PHOENIX CONTACT GmbH & Co. KG

Flachsmarktstraße 8

D-32825 Blomberg

+49 (0) 5235-3 00

info@phoenixcontact.com