

MINI MCR-SL-NAM-2RNO - Switching amplifier



2864105

<https://www.phoenixcontact.com/pc/products/2864105>

Please be informed that the data shown in this PDF document is generated from our Online Catalog. Please find the complete data in the user documentation. Our General Terms of Use for Downloads are valid.



Configurable NAMUR switching amplifier for proximity sensors, floating switching contacts and switching contacts with resistance circuit. On the output side 2 N/O contact, with screw connection

Product Description

The 6.2 mm wide MINI MCR-SL-NAM-2RNO... is a configurable 4-way isolation amplifier. It is suited for the operation of proximity sensors in acc. with EN 60947-5-6 and switches and also has two relay outputs. The second output can either be used to duplicate signals or for signaling faults for the sensor line.

The DIP switches are accessible on the housing side and allow the following parameters to be configured:

- Switchover from open circuit to closed circuit current behavior
- Activation of line fault detection of the sensor line as well as
- Selection of signal duplication/fault signaling

Power (19.2 V DC to 30 V DC) can be supplied through connection terminal blocks on the modules or in conjunction with the DIN rail connector.

Your advantages

- Floating contacts and contacts with resistance circuit can be connected
- Power supply possible via the foot element (TBUS)
- Highly compact isolation amplifier for electrical isolation, amplification, and duplication of proximity sensor signals
- For proximity sensors according to IEC 60947-5-6 and EN 50227
- Second output can be used as a duplicator or error signaling output
- Error indication via diagnostic LED and analog signal
- N/O contacts at output
- Input and output signals can be configured via DIP switches
- Operating current/closed circuit current switch-over (inverted switching behavior)

Commercial Data

Item number	2864105
Packing unit	1 pc
Minimum order quantity	1 pc
Product Key	CK1241
Catalog Page	Page 112 (C-7-2015)
GTIN	4046356046459
Weight per Piece (including packing)	99.9 g
Weight per Piece (excluding packing)	71.2 g
Customs tariff number	85365019
Country of origin	DE

MINI MCR-SL-NAM-2RNO - Switching amplifier



2864105

<https://www.phoenixcontact.com/pc/products/2864105>

Technical Data

Notes

Utilization restriction

EMC note	EMC: class A product, see manufacturer's declaration in the download area
----------	---

Product properties

Product type	Isolating switch transf.
Product family	MINI Analog
No. of channels	1
Configuration	DIP switches

Insulation characteristics

Overvoltage category	II
Pollution degree	2

System properties

Functionality

Configuration	DIP switches
---------------	--------------

Electrical properties

No. of channels	1
Rated insulation voltage	150 V AC (Input/relay outputs (reinforced insulation))
	150 V AC (Supply/relay outputs (reinforced insulation))
	150 V AC (Relay output 1/relay output 2 (reinforced insulation))
	30 V AC (Input/supply)
	50 V DC (Input/supply)
Electrical isolation	Reinforced insulation in accordance with EN 61010-1
Electrical isolation between input and output	yes
Test voltage, input/output/supply	1.5 kV AC (50 Hz, 60 s)

Supply

Designation	Supply
Nominal supply voltage	24 V DC
Supply voltage range	19.2 V DC ... 30 V DC (The DIN rail connector (ME 6,2 TBUS-2 1,5/5-ST-3,81 GN, item no. 2869728) can be used to bridge the supply voltage. It can be snapped onto a 35 mm DIN rail in accordance with EN 60715)
Max. current consumption	< 25 mA
Power consumption	< 600 mW

Input data

Signal: NAMUR

MINI MCR-SL-NAM-2RNO - Switching amplifier



2864105

<https://www.phoenixcontact.com/pc/products/2864105>

Number of inputs	1
Available input sources	NAMUR proximity sensors (IEC/EN 60947-5-6)
	Floating switch contacts
	Switch contacts with resistance circuit
Switching threshold "0" signal current	< 1.2 mA (blocking)
Switching threshold "1" signal, current	> 2.1 mA (conductive)
Line fault detection	> 6 mA (Short circuit)
	< 0.35 mA (Line break)
	Activated /deactivated via DIP switch
Non-load voltage	8.2 V DC \pm 10 %

Output data

Switching: Relay

Output description	Output 1: Signal output; Output 2: Fault signaling output or signal duplicator, can be set via DIP switches
Contact switching type	2 N/O contacts
Contact material	Hard gold plated AgNi
Maximum switching voltage	250 V AC
	125 V DC
	150 V AC (UL)
	125 V DC (UL)
Maximum inrush current	2 A
Min. switching current	1 mA (5 V DC)
Typical response time	15 ms
Typical turn-off time	20 ms
Switching frequency	0.5 Hz (240 V AC / 30 V DC / 2 A)
	10 Hz (without load)

Signal

Number of outputs	2
-------------------	---

Connection data

Connection method	Screw connection
Stripping length	12 mm
Screw thread	M3
Conductor cross section rigid	0.2 mm ² ... 2.5 mm ²
Conductor cross section flexible	0.2 mm ² ... 2.5 mm ²
Conductor cross section AWG	26 ... 12

Signaling

Status display	Red LED (error messages)
	Yellow LED (relay status messages)

Dimensions

MINI MCR-SL-NAM-2RNO - Switching amplifier



2864105

<https://www.phoenixcontact.com/pc/products/2864105>

Dimensional drawing	
Width	6.2 mm
Height	93.1 mm
Depth	101.2 mm

Material specifications

Fire protection for rail vehicles (DIN EN 45545-2) R22	HL 1 - HL 2
Fire protection for rail vehicles (DIN EN 45545-2) R23	HL 1 - HL 2
Fire protection for rail vehicles (DIN EN 45545-2) R24	HL 1 - HL 2
Housing material	PBT

Environmental and real-life conditions

Ambient conditions

Degree of protection	IP20
Ambient temperature (operation)	-20 °C ... 65 °C
Ambient temperature (storage/transport)	-40 °C ... 85 °C
Altitude	≤ 2000 m
Permissible humidity (operation)	5 % ... 95 % (non-condensing)

Approvals

CE

Certificate	CE-compliant
-------------	--------------

UKCA

Certificate	UKCA-compliant
-------------	----------------

UL, USA/Canada

Identification	UL 508 Recognized
	Class I, Div. 2, Groups A, B, C, D T4

Shipbuilding approval

Certificate	DNV GL TAA000020N
-------------	-------------------

DNV GL data

Temperature	B
Humidity	B
Vibration	B
EMC	A
Enclosure	Required protection according to the Rules shall be provided upon installation on board

MINI MCR-SL-NAM-2RNO - Switching amplifier



2864105

<https://www.phoenixcontact.com/pc/products/2864105>

EMC data

Noise immunity	EN 61000-6-2
Note	When being exposed to interference, there may be minimal deviations.
Electromagnetic compatibility	Conformance with EMC directive
Noise emission	EN 61000-6-4

Electromagnetic HF field

Designation	Electromagnetic RF field
Standards/regulations	EN 61000-4-3
Evaluation criterion	A

Fast transients (burst)

Designation	Fast transients (burst)
Standards/regulations	EN 61000-4-4
Evaluation criterion	A

Conducted interference

Designation	Conducted interferences
Standards/regulations	EN 61000-4-6
Evaluation criterion	A

Standards and regulations

Electrical isolation	Reinforced insulation in accordance with EN 61010-1
----------------------	---

Mounting

Mounting type	DIN rail mounting
Mounting position	any

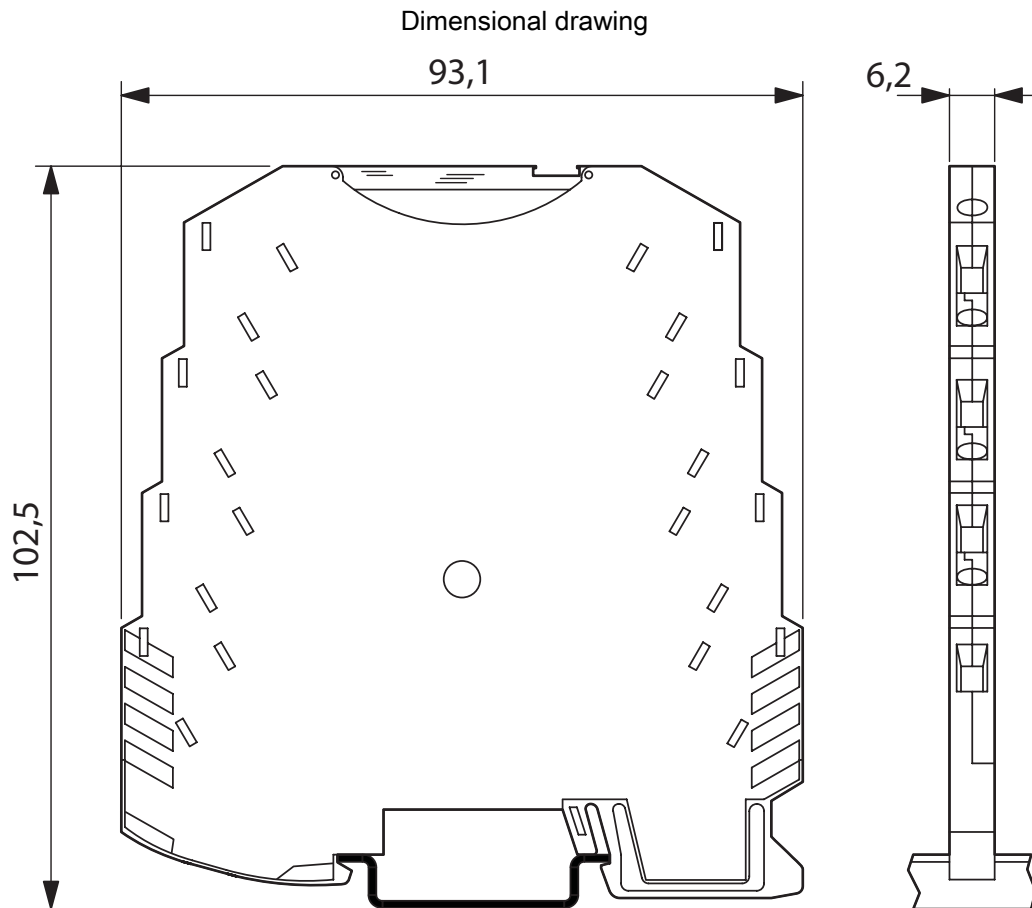
MINI MCR-SL-NAM-2RNO - Switching amplifier



2864105

<https://www.phoenixcontact.com/pc/products/2864105>

Drawings



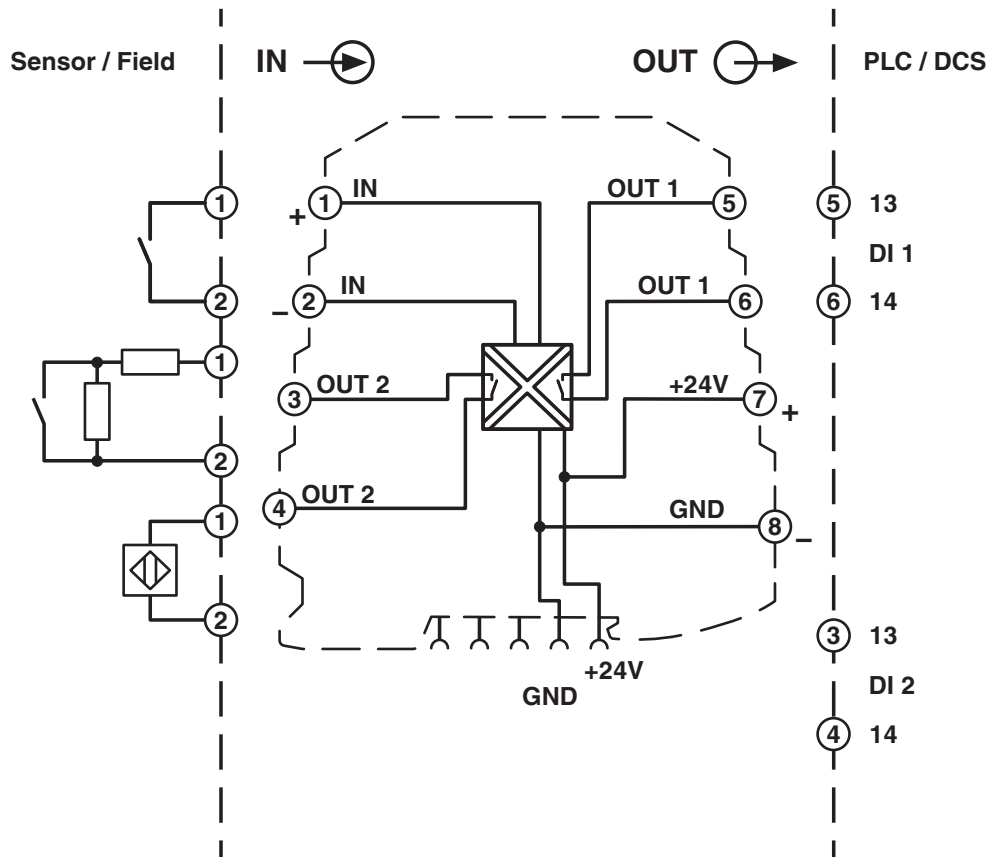
MINI MCR-SL-NAM-2RNO - Switching amplifier



2864105

<https://www.phoenixcontact.com/pc/products/2864105>

Block diagram



MINI MCR-SL-NAM-2RNO - Switching amplifier



2864105

<https://www.phoenixcontact.com/pc/products/2864105>

Approvals

To download certificates, visit the product detail page: <https://www.phoenixcontact.com/pc/products/2864105>



cUL Recognized
Approval ID: FILE E 238705



UL Recognized
Approval ID: FILE E 238705



DNV GL
Approval ID: TAA000020N



cUL Listed
Approval ID: FILE E 199827



UL Listed
Approval ID: FILE E 199827

MINI MCR-SL-NAM-2RNO - Switching amplifier



2864105

<https://www.phoenixcontact.com/pc/products/2864105>

Classifications

ECLASS

ECLASS-11.0	27210121
ECLASS-12.0	27210121
ECLASS-13.0	27210121

ETIM

ETIM 8.0	EC001485
----------	----------

UNSPSC

UNSPSC 21.0	39121000
-------------	----------

MINI MCR-SL-NAM-2RNO - Switching amplifier



2864105

<https://www.phoenixcontact.com/pc/products/2864105>

Environmental Product Compliance

REACH SVHC	Lead 7439-92-1
China RoHS	Environmentally Friendly Use Period = 50 years
	For information on hazardous substances, refer to the manufacturer's declaration available under "Downloads"

MINI MCR-SL-NAM-2RNO - Switching amplifier



2864105

<https://www.phoenixcontact.com/pc/products/2864105>

Accessories

TC-D37SUB-AIO16-M-PS-UNI - Module carrier

2902934

<https://www.phoenixcontact.com/pc/products/2902934>



Universal termination carrier for connecting 16 MINI Analog signal conditioners to digital or analog I/O cards, via D-SUB connector, 37-pos. (1:1 connection), with HART multiplexer connection

TC-D37SUB-ADIO16-M-P-UNI - Module carrier

2902933

<https://www.phoenixcontact.com/pc/products/2902933>



Universal termination carrier for connecting 16 MINI Analog signal conditioners to digital or analog I/O cards, via D-SUB connector, 37-pos. (1:1 connection)

MINI MCR-SL-NAM-2RNO - Switching amplifier

2864105

<https://www.phoenixcontact.com/pc/products/2864105>

MINI MCR-SL-PTB - Power terminal block

2864134

<https://www.phoenixcontact.com/pc/products/2864134>



MCR power terminal block for supplying several MINI Analog modules via the DIN rail connector, with screw connection, maximum current consumption of up to 2 A

QUINT4-SYS-PS/1AC/24DC/2.5/SC - Power supply unit

2904614

<https://www.phoenixcontact.com/pc/products/2904614>



Primary-switched power supply, QUINT POWER, screw connection, DIN rail mounting, supply of devices possible via the TBUS DIN rail connector, protective coating, input: single-phase, output: 24 V DC/2.5 A

MINI MCR-SL-NAM-2RNO - Switching amplifier

2864105

<https://www.phoenixcontact.com/pc/products/2864105>

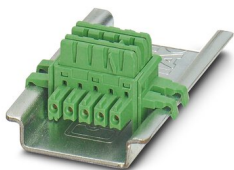


ME 6,2 TBUS-2 1,5/5-ST-3,81 GN - DIN rail bus connectors

2869728

<https://www.phoenixcontact.com/pc/products/2869728>

DIN rail connector for DIN rail mounting. Universal for TBUS housing. Gold-plated contacts, 5-pos.



MINI MCR DKL - Transparent cover

2308111

<https://www.phoenixcontact.com/pc/products/2308111>

Fold up transparent cover for MINI MCR modules with additional labeling option using insert strips and flat Zack marker strip 6.2 mm



MINI MCR-SL-NAM-2RNO - Switching amplifier

2864105

<https://www.phoenixcontact.com/pc/products/2864105>



MINI MCR-DKL-LABEL - Marking label

2810272

<https://www.phoenixcontact.com/pc/products/2810272>

Label for extended marking of MINI MCR modules in connection with the MINI MCR-DKL



Phoenix Contact 2023 © - all rights reserved

<https://www.phoenixcontact.com>

PHOENIX CONTACT GmbH & Co. KG

Flachsmarktstraße 8

D-32825 Blomberg

+49 (0) 5235-3 00

info@phoenixcontact.com