

VAL-MS-T1/T2 335/12.5 ST - Type 1/2 surge protection plug



2800190

<https://www.phoenixcontact.com/pc/products/2800190>

Please be informed that the data shown in this PDF document is generated from our Online Catalog. Please find the complete data in the user documentation. Our General Terms of Use for Downloads are valid.

L-N replacement plug for VAL-MS-T1/T2 335/12.5 plug-in lighting/surge arrester.



Your advantages

- Quality proven millions of times over in the widest range of applications
- Rapid installation with bridges, thanks to industry-standard overall width of 1 HP
- Easy testing and insulation measurement, thanks to pluggable protection modules
- Can be used in lightning protection level III and IV due to discharge capacity of 12.5 kA per position
- Vibration-resistant latching ensures the plug remains firmly in place

Commercial Data

Item number	2800190
Packing unit	10 pc
Minimum order quantity	1 pc
Product Key	CL1151
Catalog Page	Page 46 (C-4-2019)
GTIN	4046356518611
Weight per Piece (including packing)	112.7 g
Weight per Piece (excluding packing)	107.34 g
Customs tariff number	85363030
Country of origin	DE

VAL-MS-T1/T2 335/12.5 ST - Type 1/2 surge protection plug

2800190

<https://www.phoenixcontact.com/pc/products/2800190>

Technical Data

Product properties

IEC test classification	I / II
	T1 / T2
EN type	T1 / T2
IEC power supply system	TN-C
	TN-S
	TT
Type	DIN rail module, two-section, divisible
Product type	Replacement plug
Product family	VALVETRAB MS
Number of positions	1
Surge protection fault message	optical

Insulation characteristics

Overvoltage category	III
Pollution degree	2

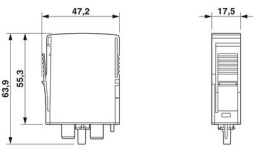
Electrical properties

Nominal frequency f_N	50 Hz (60 Hz)
-------------------------	---------------

Connection data

Connection method	pluggable
-------------------	-----------

Dimensions

Dimensional drawing	
Width	17.7 mm
Height	47 mm
Depth	67.3 mm
Horizontal pitch	1 Div.

Material specifications

Flammability rating according to UL 94	V-0
CTI value of material	600
Insulating material	PA 6.6/PBT
Material group	I
Housing material	PA 6.6
	PBT

VAL-MS-T1/T2 335/12.5 ST - Type 1/2 surge protection plug



2800190

<https://www.phoenixcontact.com/pc/products/2800190>

Protective circuit

Mode of protection	L-N
	L-PEN
Direction of action	L-N / L-PEN
Nominal voltage U_N	240/415 V AC (TN-C, TN-S)
	240/415 V AC (TT)
Nominal frequency f_N	50 Hz (60 Hz)
Maximum continuous voltage U_C	335 V AC
Residual current I_{PE}	$\leq 800 \mu\text{A}$
Standby power consumption P_C	$\leq 270 \text{ mVA}$
Nominal discharge current I_n (8/20) μs	12.5 kA
Maximum discharge current I_{max} (8/20) μs	50 kA
Impulse discharge current (10/350) μs , charge	6.25 As
Impulse discharge current (10/350) μs , specific energy	39 kJ/ Ω
Impulse discharge current (10/350) μs , peak value I_{imp}	12.5 kA
Short-circuit current rating I_{SCCR}	25 kA
Voltage protection level U_p	$\leq 1.2 \text{ kV}$
	$\leq 1.6 \text{ kV}$ (30 kA - 8/20 μs)
Residual voltage U_{res}	$\leq 1.2 \text{ kV}$ (at I_n)
	$\leq 1.1 \text{ kV}$ (at 10 kA)
	$\leq 1 \text{ kV}$ (at 5 kA)
	$\leq 0.9 \text{ kV}$ (at 3 kA)
TOV behavior at U_T	415 V AC (5 s / withstand mode)
	457 V AC (120 min / safe failure mode)
Response time t_A	$\leq 25 \text{ ns}$
Max. backup fuse with branch wiring	160 A (gG)

Additional technical data

Maximum discharge current I_{max} (8/20) μs	65 kA
--	-------

Environmental and real-life conditions

Ambient conditions

Degree of protection	IP20
Ambient temperature (operation)	-40 °C ... 80 °C
Ambient temperature (storage/transport)	-40 °C ... 80 °C
Altitude	$\leq 2000 \text{ m}$ (amsl)
Permissible humidity (operation)	5 % ... 95 %
Shock (operation)	30g (Half-sine / 11 ms / 3x $\pm X$, $\pm Y$, $\pm Z$)
Vibration (operation)	7.5g (10 ... 500 Hz / 2.5 h / X, Y, Z)

Approvals

UL specifications

Maximum continuous operating voltage MCOV (L-N)	335 V AC
---	----------

VAL-MS-T1/T2 335/12.5 ST - Type 1/2 surge protection plug



2800190

<https://www.phoenixcontact.com/pc/products/2800190>

Nominal discharge current I_n (L-N)	20 kA
Mode of protection	L-N
Nominal voltage	240 V AC
Power distribution system	Single phase
Nominal frequency	50/60 Hz
Measured limiting voltage MLV (L-N)	2630 V
SPD Type	4CA

Standards and regulations

Standards/specifications	IEC 61643-11
--------------------------	--------------

EN 61643-11

Standards/specifications	EN 61643-11
--------------------------	-------------

Mounting

Mounting type	on base element
---------------	-----------------

VAL-MS-T1/T2 335/12.5 ST - Type 1/2 surge protection plug

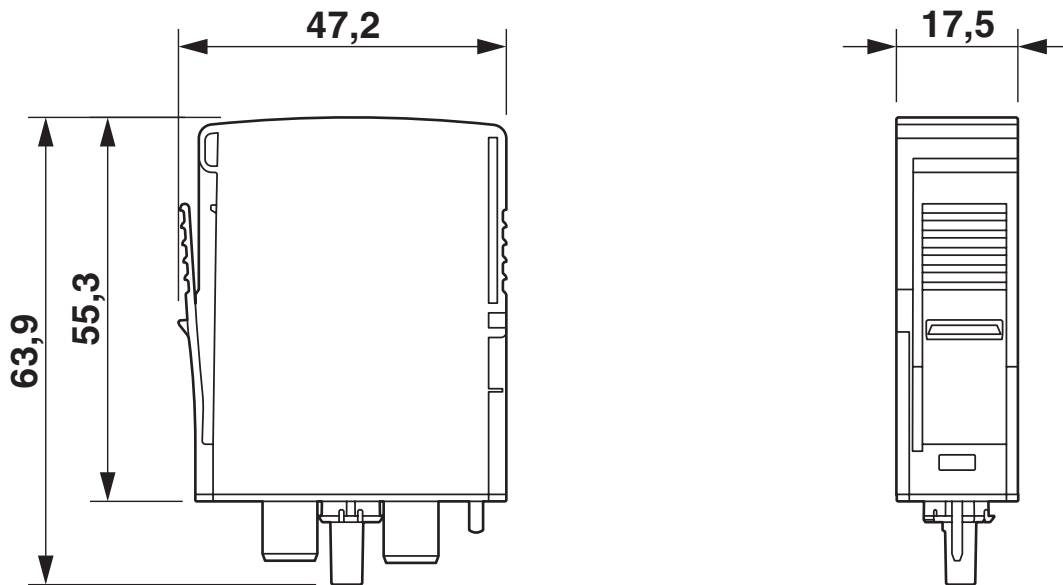


2800190

<https://www.phoenixcontact.com/pc/products/2800190>

Drawings

Dimensional drawing



Circuit diagram



VAL-MS-T1/T2 335/12.5 ST - Type 1/2 surge protection plug



2800190

<https://www.phoenixcontact.com/pc/products/2800190>

Approvals

To download certificates, visit the product detail page: <https://www.phoenixcontact.com/pc/products/2800190>



cUL Recognized
Approval ID: FILE E 330181



UL Recognized
Approval ID: FILE E 330181



IECEE CB Scheme
Approval ID: AT 2584



EAC
Approval ID: RU C-DE.*09.B.00169



KEMA-KEUR
Approval ID: 2162496-01



DNV GL
Approval ID: TAE00001N9



ÖVE
Approval ID: 18583-009-08

VAL-MS-T1/T2 335/12.5 ST - Type 1/2 surge protection plug



2800190

<https://www.phoenixcontact.com/pc/products/2800190>

Classifications

ECLASS

ECLASS-11.0	27130890
ECLASS-13.0	27171292

ETIM

ETIM 8.0	EC002496
----------	----------

UNSPSC

UNSPSC 21.0	39121600
-------------	----------

VAL-MS-T1/T2 335/12.5 ST - Type 1/2 surge protection plug



2800190

<https://www.phoenixcontact.com/pc/products/2800190>

Environmental Product Compliance

China RoHS	Environmentally friendly use period: unlimited = EFUP-e
	No hazardous substances above threshold values

VAL-MS-T1/T2 335/12.5 ST - Type 1/2 surge protection plug

2800190

<https://www.phoenixcontact.com/pc/products/2800190>

Accessories

MPB 18/1-10/1.0.0 - Wiring bridge

2830443

<https://www.phoenixcontact.com/pc/products/2830443>



Wiring bridge for modules with connecting pitch 17.5 mm, 1-phase, 10 pitches with contact sequence 1-0-0

MPB 18/4- 8 - Wiring bridge

2809283

<https://www.phoenixcontact.com/pc/products/2809283>



Wiring bridge for modules with connecting pitch 17.5 mm, 4-phase, 8-pos.

VAL-MS-T1/T2 335/12.5 ST - Type 1/2 surge protection plug

2800190

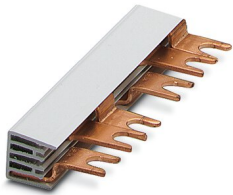
<https://www.phoenixcontact.com/pc/products/2800190>

MPB 18/3- 6 - Wiring bridge

2809241

<https://www.phoenixcontact.com/pc/products/2809241>

Wiring bridge for modules with connecting pitch 17.5 mm, 3-phase, 6-pos.



MPB 18/1-57 - Wiring bridge

2809238

<https://www.phoenixcontact.com/pc/products/2809238>

Wiring bridge for modules with connecting pitch 17.5 mm, 1-phase, 57-pos.



VAL-MS-T1/T2 335/12.5 ST - Type 1/2 surge protection plug

2800190

<https://www.phoenixcontact.com/pc/products/2800190>

MPB 18/1-12 - Wiring bridge

2748593

<https://www.phoenixcontact.com/pc/products/2748593>



Wiring bridge for modules with connecting pitch 17.5 mm, 1-phase, 12-pos.

MPB 18/1- 9 - Wiring bridge

2748580

<https://www.phoenixcontact.com/pc/products/2748580>



Wiring bridge for modules with connecting pitch 17.5 mm, 1-phase, 9-pos.

VAL-MS-T1/T2 335/12.5 ST - Type 1/2 surge protection plug

2800190

<https://www.phoenixcontact.com/pc/products/2800190>

MPB 18/1- 8 - Wiring bridge

2748577

<https://www.phoenixcontact.com/pc/products/2748577>

Wiring bridge for modules with connecting pitch 17.5 mm, 1-phase, 8-pos.



MPB 18/1- 6 - Wiring bridge

2748564

<https://www.phoenixcontact.com/pc/products/2748564>

Wiring bridge for modules with connecting pitch 17.5 mm, 1-phase, 6-pos.



VAL-MS-T1/T2 335/12.5 ST - Type 1/2 surge protection plug

2800190

<https://www.phoenixcontact.com/pc/products/2800190>

MPB 18/1- 4 - Wiring bridge

2809225

<https://www.phoenixcontact.com/pc/products/2809225>

Wiring bridge for modules with connecting pitch 17.5 mm, 1-phase, 4-pos.



MPB 18/1- 3 - Wiring bridge

2809212

<https://www.phoenixcontact.com/pc/products/2809212>

Wiring bridge for modules with connecting pitch 17.5 mm, 1-phase, 3-pos.



VAL-MS-T1/T2 335/12.5 ST - Type 1/2 surge protection plug

2800190

<https://www.phoenixcontact.com/pc/products/2800190>

MPB 18/1- 2 - Wiring bridge

2809209

<https://www.phoenixcontact.com/pc/products/2809209>

Wiring bridge for modules with connecting pitch 17.5 mm, 1-phase, 2-pos.



ZBN 18,LGS:ERDE - Marker for terminal blocks

2749589

<https://www.phoenixcontact.com/pc/products/2749589>

Marker for terminal blocks, Strip, white, labeled, horizontal: Grounding symbol, mounting type: snapped, for terminal block width: 18 mm, lettering field size: 18 x 5 mm, Number of individual labels: 5



VAL-MS-T1/T2 335/12.5 ST - Type 1/2 surge protection plug

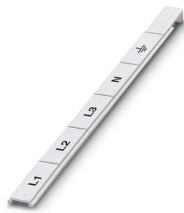
2800190

<https://www.phoenixcontact.com/pc/products/2800190>

ZBN 18,LGS:L1-N,ERDE - Marker for terminal blocks

2749576

<https://www.phoenixcontact.com/pc/products/2749576>



Marker for terminal blocks, Strip, white, labeled, horizontal: L1, L2, L3, N, GND, mounting type: snapped, for terminal block width: 18 mm, lettering field size: 18 x 5 mm, Number of individual labels: 5

ZBN 18:UNBEDRUCKT - Zack marker strip

2809128

<https://www.phoenixcontact.com/pc/products/2809128>



Zack marker strip, Strip, white, unlabeled, can be labeled with: CMS-P1-PLOTTER, PLOTMARK, mounting type: snapped, for terminal block width: 18 mm, lettering field size: 18 x 5 mm, Number of individual labels: 5

VAL-MS-T1/T2 335/12.5 ST - Type 1/2 surge protection plug



2800190

<https://www.phoenixcontact.com/pc/products/2800190>

B-STIFT - Marker pen

1051993

<https://www.phoenixcontact.com/pc/products/1051993>



Marker pen, for manual labeling of unprinted Zack strips, smear-proof and waterproof, line thickness 0.5 mm

Phoenix Contact 2023 © - all rights reserved

<https://www.phoenixcontact.com>

PHOENIX CONTACT GmbH & Co. KG

Flachsmarktstraße 8

D-32825 Blomberg

+49 (0) 5235-3 00

info@phoenixcontact.com