

# RAD-ISM-2400-RX - Wireless module



2867306

<https://www.phoenixcontact.com/it/products/2867306>

Please be informed that the data shown in this PDF document is generated from our online catalog. Please find the complete data in the user documentation. Our general terms of use for downloads are valid.



Receiver for extension from point-to-point to multi-point connection, for uni-directional, wireless, 2400 MHz transmission system

## Your advantages

- Trusted Wireless technology with frequency hopping method
- No parameterization or programming required
- License-free 2.4 GHz ISM band

## Commercial data

Item number	2867306
Packing unit	1 pc
Minimum order quantity	1 pc
Note	Made to order (non-returnable)
Sales key	CNC
Product key	DNC652
Catalog page	Page 642 (IF-2011)
GTIN	4017918975050
Weight per piece (including packing)	258.5 g
Weight per piece (excluding packing)	160.6 g
Customs tariff number	85176990
Country of origin	CA

# RAD-ISM-2400-RX - Wireless module



2867306

<https://www.phoenixcontact.com/it/products/2867306>

## Technical data

### Product properties

Product type	Wireless module
--------------	-----------------

### Electrical properties

#### Supply Receiver

Supply voltage	24 V DC -50 % / +25 % (at $U_B$ )
Supply voltage range	12 V DC ... 30 V DC
Typical current consumption	54 mA
Max. current consumption	120 mA

### Output data

#### Digital

Output name	2x relay output + 1 x RF link
Contact switching type	3 floating changeover contacts
Contact material	Ag, gold-plated
Maximum switching voltage	30 V DC 30 V AC
Limiting continuous current	0.5 A
Service life electrical	$8 \times 10^5$ cycles at a switching current of 0.5 A
Mechanical service life	$1 \times 10^7$

#### Analog

Output name	Current output
Current output signal	4 mA ... 20 mA
Load/output load current output	$700 \Omega$ (at $U_B = 24 \text{ V}$ , $R_B = [U_B - 10 \text{ V}] / 20 \text{ mA}$ )

### Interfaces

#### Wireless

Direction	Uni-directional
-----------	-----------------

#### Wireless

Frequency band	2.4 GHz
----------------	---------

### Dimensions

Width	17.5 mm
Height	99 mm
Depth	114.5 mm

### Material specifications

Material	Polyamide
----------	-----------

## Environmental and real-life conditions

### Ambient conditions

Degree of protection	IP20
Degree of protection	IP20
Ambient temperature (operation)	-20 °C ... 65 °C -4 °F ... 149 °F
Ambient temperature (storage/transport)	-40 °C ... 85 °C

## Approvals

### CE

Certificate	CE-compliant
-------------	--------------

### ATEX

Identification	⊕ II 3 G EEx nL IIC
Note	Please follow the special installation instructions in the documentation!

### IECEX

Identification	Ex nL IIC T4
----------------	--------------

## EMC data

Electromagnetic compatibility	Conformance with R&TTE directive 1999/5/EC
-------------------------------	--

## Mounting

Assembly instructions	on standard DIN rail NS 35 in accordance with EN 60715
Mounting position	any
Connection method	Screw connection

# RAD-ISM-2400-RX - Wireless module

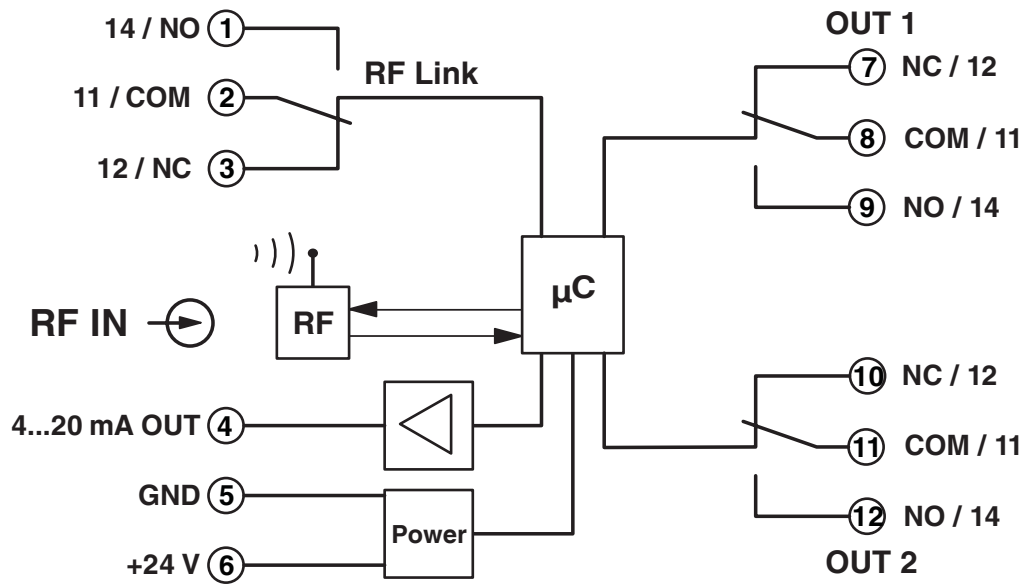


2867306

<https://www.phoenixcontact.com/it/products/2867306>

## Drawings

Block diagram



Receiver module

# RAD-ISM-2400-RX - Wireless module

2867306

<https://www.phoenixcontact.com/it/products/2867306>

## Accessories

### RAD-ISM-2400-ANT-OMNI-2-1 - Antenna

2867461

<https://www.phoenixcontact.com/it/products/2867461>



Omnidirectional antenna, 2.4 GHz, gain: 2 dBi, polarization: linear, opening angle: h/v 360°/75°, degree of protection: IP65, connection: MCX (male), incl. 1.5 m / 5 ft. connecting cable and mounting bracket for wall mounting

---

### RAD-ISM-2400-ANT-VAN- 3-1-MCX - Antenna

2885702

<https://www.phoenixcontact.com/it/products/2885702>



Omnidirectional antenna with protection against vandalism, 2.4 GHz, gain: 3 dBi, polarization: linear, opening angle: h/v 360°/85°, degree of protection: IP55, connection: MCX (male), for control cabinet mounting (optional wall mounting), incl. 1.5 m / 5 ft. connecting cable

# RAD-ISM-2400-RX - Wireless module

2867306

<https://www.phoenixcontact.com/it/products/2867306>



## RAD-ISM-2400-ANT-OMNI-6-0 - Antenna

2885919

<https://www.phoenixcontact.com/it/products/2885919>

Omnidirectional antenna for wall or mast mounting, 2.4 GHz, gain: 6 dBi, degree of protection: IP67, saltwater-resistant, shock- and vibration-resistant, connection: N (female), incl. mounting bracket and mast clamps, ATEX and IECEx approval



---

## RAD-ISM-2400-ANT-PAN- 8-0 - Antenna

2867610

<https://www.phoenixcontact.com/it/products/2867610>

Directional antenna, 2.4 GHz, gain: 8 dBi, polarization: linear, opening angle: h/v 75°/70°, degree of protection: IP55, connection: SMA (female), incl. mounting bracket and mast clips



# RAD-ISM-2400-RX - Wireless module



2867306

<https://www.phoenixcontact.com/it/products/2867306>

## RAD-CAB-EF393- 3M - Antenna cable

2867649

<https://www.phoenixcontact.com/it/products/2867649>

Antenna cable, outside diameter: 10 mm (0.4 in.), inner conductor: stranded, attenuation: 1.0 / 1.8 / 3.1 dB at 0.9 / 2.4 / 5.8 GHz, connection: 2 x N (male), cable length: 3 m (10 ft.)



---

## RAD-CAB-EF393- 5M - Antenna cable

2867652

<https://www.phoenixcontact.com/it/products/2867652>

Antenna cable, outside diameter: 10 mm (0.4 in.), inner conductor: stranded, attenuation: 1.6 / 2.9 / 5.0 dB at 0.9 / 2.4 / 5.8 GHz, connection: 2 x N (male), cable length: 5 m (16 ft.)



# RAD-ISM-2400-RX - Wireless module

2867306

<https://www.phoenixcontact.com/it/products/2867306>



## RAD-CAB-EF393-10M - Antenna cable

2867665

<https://www.phoenixcontact.com/it/products/2867665>

Antenna cable, outside diameter: 10 mm (0.4 in.), inner conductor: stranded, attenuation: 2.9 / 5.6 / 9.9 dB at 0.9 / 2.4 / 5.8 GHz, connection: 2 x N (male), cable length: 10 m (32 ft.)



---

## RAD-CAB-EF393-15M - Antenna cable

2885634

<https://www.phoenixcontact.com/it/products/2885634>

Antenna cable, outside diameter: 10 mm (0.4 in.), inner conductor: stranded, attenuation: 4.3 / 8.3 / 14.8 dB at 0.9 / 2.4 / 5.8 GHz, connection: 2 x N (male), cable length: 15 m (50 ft.)





# RAD-ISM-2400-RX - Wireless module

2867306

<https://www.phoenixcontact.com/it/products/2867306>

## RAD-PIG-EF316-MCX-SMA - Antenna cable

2867678

<https://www.phoenixcontact.com/it/products/2867678>



Antenna cable, external diameter: 3.2 mm (0.126 in.), inner conductor: flexible, attenuation: 1.0 / 1.7 / 2.7 dB at 0.9 / 2.4 / 5.8 GHz, connection: MCX (male) -> SMA (male), cable length: 1 m (4 ft.)

---

## RAD-PIG-EF316-MCX-N - Antenna cable

2867681

<https://www.phoenixcontact.com/it/products/2867681>



Antenna cable, outside diameter: 3.2 mm (0.126 in.), inner conductor: stranded, attenuation: 0.6 / 1.0 / 1.4 dB at 0.9 / 2.4 / 5.8 GHz, connection: MCX (male) -> N (male), cable length: 0.5 m (1.6 ft.)

# RAD-ISM-2400-RX - Wireless module



2867306

<https://www.phoenixcontact.com/it/products/2867306>

## RAD-PIG-EF316-N-SMA - Antenna cable

2867694

<https://www.phoenixcontact.com/it/products/2867694>



Antenna cable, outside diameter: 3.2 mm (0.126 in.), inner conductor: stranded, attenuation: 0.5 / 0.7 / 0.9 dB at 0.9 / 2.4 / 5.8 GHz, connection: SMA (male) -> N (female), cable length: 0.3 m (1 ft.)

---

## RAD-PIG-EF316-N-N - Antenna cable

2867704

<https://www.phoenixcontact.com/it/products/2867704>



Adapter cable, 50 cm pigtail, N (male) -> N (female), 50  $\Omega$  impedance

# RAD-ISM-2400-RX - Wireless module

2867306

<https://www.phoenixcontact.com/it/products/2867306>



## RAD-PIG-EF316-SMA-SMA - Antenna cable

2885618

<https://www.phoenixcontact.com/it/products/2885618>

Adapter cable, 50 cm pigtail, SMA (male) -> SMA (male), 50  $\Omega$  impedance



---

## RAD-ADP-N/F-N/F - Adapter

2867843

<https://www.phoenixcontact.com/it/products/2867843>

Antenna adapter for control cabinet feed-through, frequency range: 0.3 GHz ...  
6 GHz, degree of protection: IP65, connection: 2 x N (female)



# RAD-ISM-2400-RX - Wireless module

2867306

<https://www.phoenixcontact.com/it/products/2867306>

## RAD-ISM-2400-SPL-4-SMA - Antenna splitter

2867856

<https://www.phoenixcontact.com/it/products/2867856>



4-way distributor for antenna signals (antenna splitter), connection SMA (female) on the 4 upper ends and SMA (male) on the lower end

---

## RAD-ISM-2400-SPL-2-SMA - Antenna splitter

2885595

<https://www.phoenixcontact.com/it/products/2885595>



2-way distributor for antenna signals (antenna splitter), connection SMA (female) on the two upper ends and SMA (male) on the lower end

## RAD-ISM-2400-RX - Wireless module

2867306

<https://www.phoenixcontact.com/it/products/2867306>



## RAD-TAPE-SV-25-10 - Weather protection tape

2885812

<https://www.phoenixcontact.com/it/products/2885812>

Vulcanizing sealing tape for external protection of adapters, antenna splitters, cable connections, etc. against the effects of weather, roll length: 10 m



---

## CN-LAMBDA/4-5.9-BB - Surge protection device

2838490

<https://www.phoenixcontact.com/it/products/2838490>

Attachment plug with Lambda/4 technology as surge protection for coaxial signal interfaces. Connection: N connectors socket-socket



# RAD-ISM-2400-RX - Wireless module

2867306

<https://www.phoenixcontact.com/it/products/2867306>



## CN-LAMBDA/4-5.9-SB - Surge protection device

2800023

<https://www.phoenixcontact.com/it/products/2800023>



Attachment plug with Lambda/4 technology as surge protection for coaxial signal interfaces. Connection: N connectors plug/socket

---

## CN-LAMBDA/4-2.0-BB - Surge protection device

2818863

<https://www.phoenixcontact.com/it/products/2818863>



Attachment plug with Lambda/4 technology as surge protection for coaxial signal interfaces. Connection: N connectors socket-socket

# RAD-ISM-2400-RX - Wireless module

2867306

<https://www.phoenixcontact.com/it/products/2867306>



## CN-LAMBDA/4-2.0-SB - Surge protection device

2818876

<https://www.phoenixcontact.com/it/products/2818876>



Attachment plug with Lambda/4 technology as surge protection for coaxial signal interfaces. Connection: N connectors plug/socket

---

## RAD-SOL-SET-24-100 - Solar system

2885472

<https://www.phoenixcontact.com/it/products/2885472>



24 V / 100 Wp solar system for worldwide use. Consisting of a solar panel, prewired control cabinet with charge controller, solar batteries, fuses, surge protection and assembly material (including mast clips).

# RAD-ISM-2400-RX - Wireless module

2867306

<https://www.phoenixcontact.com/it/products/2867306>



## RAD-SOL-SET-24-200 - Solar system

2917722

<https://www.phoenixcontact.com/it/products/2917722>



24 V / 200 Wp solar system for worldwide use. Consisting of a solar panel, prewired control cabinet with charge controller, solar battery, fuses, surge protection and assembly material (including mast clips).

---

## RAD-ADP-N/M-SMA/F - Adapter

2917036

<https://www.phoenixcontact.com/it/products/2917036>



Antenna adapter, frequency range: 0.3 GHz ... 6 GHz, connection: N (male) -> SMA (female)



# RAD-ISM-2400-RX - Wireless module

2867306

<https://www.phoenixcontact.com/lt/products/2867306>



## RAD-ISM-2400-HOP-SET - Hopkey

2917010

<https://www.phoenixcontact.com/lt/products/2917010>

The hopkey set consists of two configurable hopkeys (for ME housing or PIPE outdoor housing). This hopkey set can be used as a replacement for or extension of the unidirectional RAD-Line I/O system.



---

## RAD-ISM-2400-HOP-ME - Hopkey

2917285

<https://www.phoenixcontact.com/lt/products/2917285>

The HOPKEY for IP20 housing contains information such as the transmission frequencies used and the hop sequence. This information is required when installing an additional receiver in an existing unidirectional RAD Line IO system, for example.



---

Phoenix Contact 2023 © - all rights reserved  
<https://www.phoenixcontact.com>

Phoenix Contact UAB  
Svitrigailos str. 11B  
03228 Vilnius  
+370 5 2106321  
[balticinfo@phoenixcontact.com](mailto:balticinfo@phoenixcontact.com)