

# MCR-SL-S-1/5-I-DCI-230 - Current transducers



2814825

<https://www.phoenixcontact.com/be/products/2814825>

Please be informed that the data shown in this PDF document is generated from our online catalog. Please find the complete data in the user documentation. Our general terms of use for downloads are valid.



MCR current measuring transducer, for sinusoidal alternating currents 0...1 A AC/0...5 A AC, supply voltage 85...230 V AC/DC, output signal 0(4)...20 mA

## Commercial data

Item number	2814825
Packing unit	1 pc
Minimum order quantity	1 pc
Product key	CK4391
Catalog page	Page 290 (IF-2005)
GTIN	4017918188061
Weight per piece (including packing)	178,3 g
Weight per piece (excluding packing)	178,3 g
Country of origin	CH

## Technical data

### Product properties

Product type	Current transducer
--------------	--------------------

### Insulation characteristics

Overvoltage category	III
Pollution degree	2

### Electrical properties

Test voltage output/power supply	4 kV (50 Hz, 1 min.)
Test voltage input/output	4 kV (50 Hz, 1 min.)
Test voltage input/power supply	4 kV (50 Hz, 1 min.)
Step response (10-90%)	< 300 ms
Maximum transmission error	0.5 %
Transmission error, typical	0.5 % (Class 0.5)

### Supply

Supply voltage range	85 V AC/DC ... 230 V AC/DC
----------------------	----------------------------

### Input data

#### Measurement

Description of the input	Current measuring input 1 A
Input current range	0 A AC ... 1 A
Overload capacity	1.2 x I <sub>N</sub> (continuous)
Surge strength	20 x I <sub>N</sub>
Nominal frequency f <sub>N</sub>	50 Hz
	60 Hz
Curve type	Sine

#### Measurement

Description of the input	Current measuring input 5 A
Input current range	0 A AC ... 5 A
Impulse form	Sine
Overload capacity	1.2 x I <sub>N</sub> (continuous)
Surge strength	20 x I <sub>N</sub>
Nominal frequency f <sub>N</sub>	50 Hz
	60 Hz
Frequency measuring range	50 Hz ... 60 Hz
Connection method	Screw connection

### Output data

#### Signal: Current

Current output signal	0 mA ... 20 mA
-----------------------	----------------

# MCR-SL-S-1/5-I-DCI-230 - Current transducers



2814825

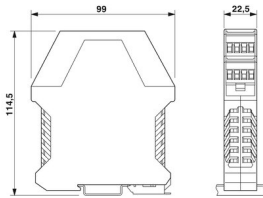
<https://www.phoenixcontact.com/be/products/2814825>

	4 mA ... 20 mA
Max. current output signal	approx. 30 mA
Load/output load current output	< 750 Ω

## Connection data

Connection method	Pluggable screw connection
Stripping length	8 mm
Screw thread	M3
Conductor cross section rigid	0.2 mm <sup>2</sup> ... 2.5 mm <sup>2</sup>
Conductor cross section flexible	0.2 mm <sup>2</sup> ... 2.5 mm <sup>2</sup>
Conductor cross section AWG	24 ... 14

## Dimensions

Dimensional drawing	
Width	22.5 mm
Height	99 mm
Depth	114.5 mm

## Material specifications

Housing material	Polyamide PA non-reinforced
------------------	-----------------------------

## Environmental and real-life conditions

### Ambient conditions

Degree of protection (Housing)	IP40 (Housing)
Degree of protection (Connections)	IP20 (Connection terminal blocks)
Ambient temperature (operation)	-10 °C ... 55 °C

## EMC data

Electromagnetic compatibility	Conformance with EMC directive
-------------------------------	--------------------------------

## Mounting

Mounting position	any
-------------------	-----

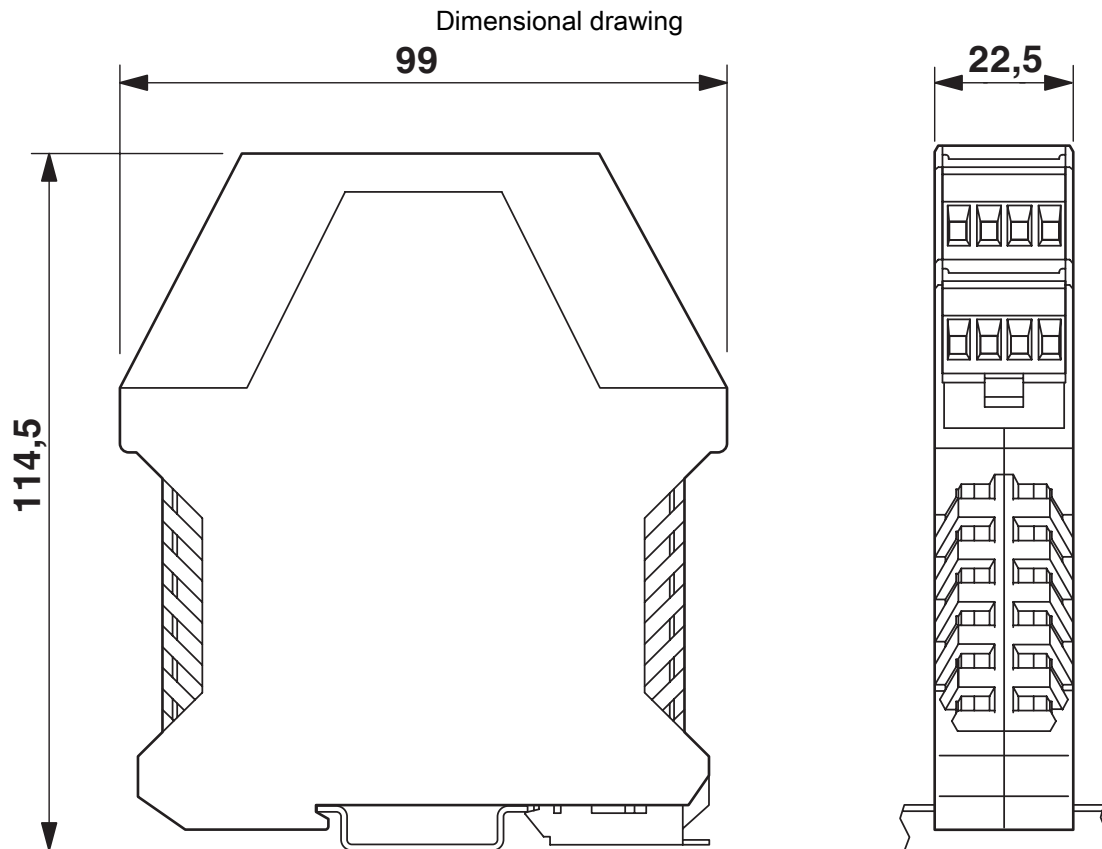
# MCR-SL-S-1/5-I-DCI-230 - Current transducers

2814825

<https://www.phoenixcontact.com/be/products/2814825>



## Drawings

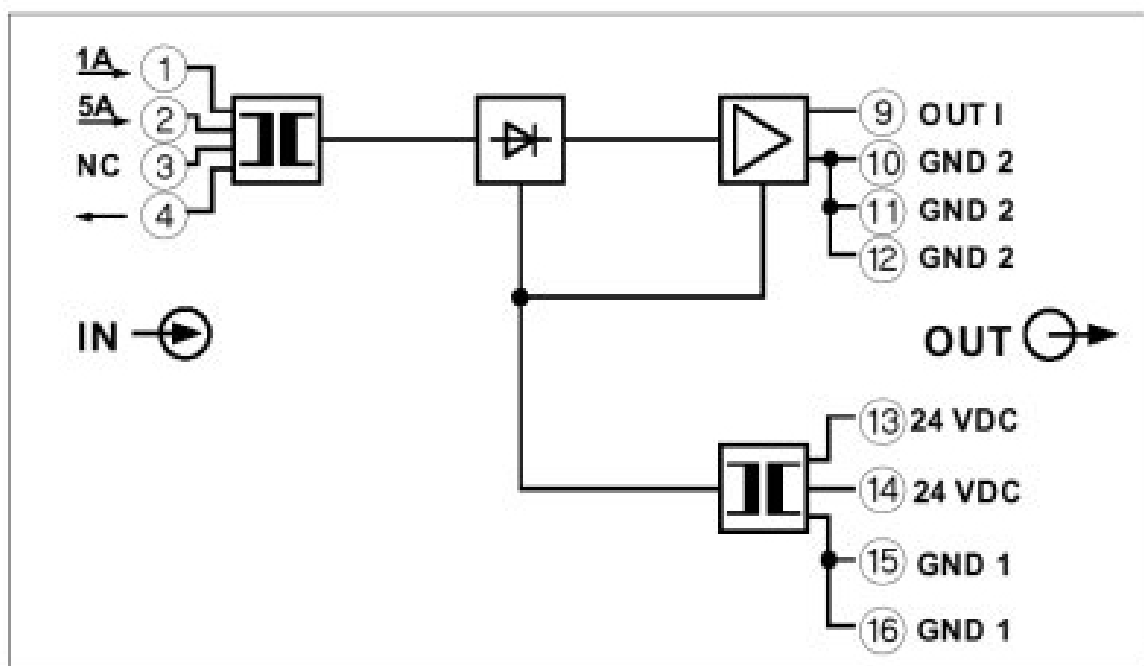


# MCR-SL-S-1/5-I-DCI-230 - Current transducers

2814825

<https://www.phoenixcontact.com/be/products/2814825>

Circuit diagram



# MCR-SL-S-1/5-I-DCI-230 - Current transducers



2814825

<https://www.phoenixcontact.com/be/products/2814825>

## Classifications

### ECLASS

ECLASS-11.0

27210123

Phoenix Contact 2023 © - all rights reserved

<https://www.phoenixcontact.com>

PHOENIX CONTACT nv/sa

Minervastraat 10-12

1930 Zaventem-Keiberg II

+32 (0)2/723 98 11

[info@phoenixcontact.be](mailto:info@phoenixcontact.be)