

VAL-MS 500 ST - Type 2 surge protection plug

2807609

<https://www.phoenixcontact.com/pc/products/2807609>

Please be informed that the data shown in this PDF document is generated from our online catalog. Please find the complete data in the user documentation. Our general terms of use for downloads are valid.



Surge protection connector type 2 with high-capacity varistor for VAL-MS base element, thermal monitoring, visual fault warning. Design: 500 V AC

Your advantages

- Quality proven millions of times over in the widest range of applications
- Rapid installation with bridges, thanks to industry-standard overall width of 1 HP
- Easy testing and insulation measurement, thanks to pluggable protection modules
- Wide range of applications due to various nominal voltages
- High degree of modularity provides individual solutions for every application

Commercial data

Item number	2807609
Packing unit	10 pc
Minimum order quantity	1 pc
Product key	CL1321
Catalog page	Page 69 (C-4-2019)
GTIN	4017918075293
Weight per piece (including packing)	61.63 g
Weight per piece (excluding packing)	60.34 g
Customs tariff number	85363010
Country of origin	DE

VAL-MS 500 ST - Type 2 surge protection plug

2807609

<https://www.phoenixcontact.com/pc/products/2807609>

Technical data

Notes

General	Use in DC applications on request
General	
Note	Usable in all low-voltage systems between L-N or L-PEN. Only usable in IT Systems between L-PE, if the exposed-conductive-parts (bodies) of the equipment of the low-voltage installation is connected to the earthing arrangement of the transformer substation. (interconnected earthing arrangement of the HV-transformer substation with the bodies of the LV-installation. $R_E = R_A$ accordance to IEC 60364-4-442 / VDE 0100-442 Fig. 44D / Example a)

Product properties

IEC test classification	II
	T2
EN type	T2
IEC power supply system	TN
	IT
Type	DIN rail module, two-section, divisible
Distance between live and grounded parts	5 mm
Product type	Replacement plug
Product family	VALVETRAB MS
Number of positions	1
Surge protection fault message	optical
Arrester can be tested with CHECKMASTER from software version:	From SW rev. 1.10

Insulation characteristics

Overvoltage category	III
Pollution degree	2

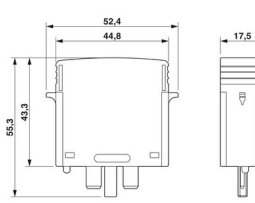
Electrical properties

Nominal frequency f_N	50 Hz (60 Hz)
-------------------------	---------------

Connection data

Connection method	pluggable
-------------------	-----------

Dimensions

Dimensional drawing	
---------------------	--

VAL-MS 500 ST - Type 2 surge protection plug



2807609

<https://www.phoenixcontact.com/pc/products/2807609>

Width	17.5 mm
Height	52.4 mm
Depth	55.3 mm
Horizontal pitch	1 Div.

Material specifications

Flammability rating according to UL 94	V-0
CTI value of material	600
Insulating material	PA 6.6
Material group	I
Housing material	PA 6.6

Protective circuit

Mode of protection	L-PE
	L-PEN
Direction of action	1L-N/PE
Nominal voltage U_N	400/690 V AC (TN)
	500 V AC (IT)
Nominal frequency f_N	50 Hz (60 Hz)
Maximum continuous voltage U_C	600 V AC
Residual current I_{PE}	≤ 0.45 mA
Standby power consumption P_C	≤ 250 mVA
Nominal discharge current I_n (8/20) μ s	15 kA
Maximum discharge current I_{max} (8/20) μ s	30 kA
Short-circuit current rating I_{SCCR}	25 kA
Voltage protection level U_p	≤ 2.7 kV
Residual voltage U_{res}	≤ 2.7 kV (at I_n)
	≤ 2.5 kV (at 10 kA)
	≤ 2.3 kV (at 5 kA)
	≤ 2.2 kV (at 3 kA)
TOV behavior at U_T	690 V AC (5 s / withstand mode)
	762 V AC (120 min / withstand mode)
Response time t_A	≤ 25 ns
Max. backup fuse with branch wiring	125 A (gG)

Environmental and real-life conditions

Ambient conditions

Degree of protection	IP20
Ambient temperature (operation)	-40 °C ... 80 °C
Ambient temperature (storage/transport)	-40 °C ... 80 °C
Altitude	≤ 2000 m (amsl)
Permissible humidity (operation)	5 % ... 95 %
Shock (operation)	25g (Half-sine / 11 ms / 3x \pm X, \pm Y, \pm Z)
Vibration (operation)	5g (10 ... 500 Hz / 2.5 h / X, Y, Z)

VAL-MS 500 ST - Type 2 surge protection plug



2807609

<https://www.phoenixcontact.com/pc/products/2807609>

Approvals

UL specifications

Maximum continuous operating voltage MCOV (L-N)	600 V AC
Nominal discharge current I_n (L-N)	10 kA
Mode of protection	L-N
Nominal voltage	500 V AC
Power distribution system	Single phase
Nominal frequency	50/60 Hz
Measured limiting voltage MLV (L-N)	2370 V
SPD Type	4CA

Standards and regulations

Standards/specifications	IEC 61643-11
Note	2011
Standards/specifications	EN 61643-11
Note	2012

Mounting

Mounting type	on base element
---------------	-----------------

VAL-MS 500 ST - Type 2 surge protection plug

2807609

<https://www.phoenixcontact.com/pc/products/2807609>

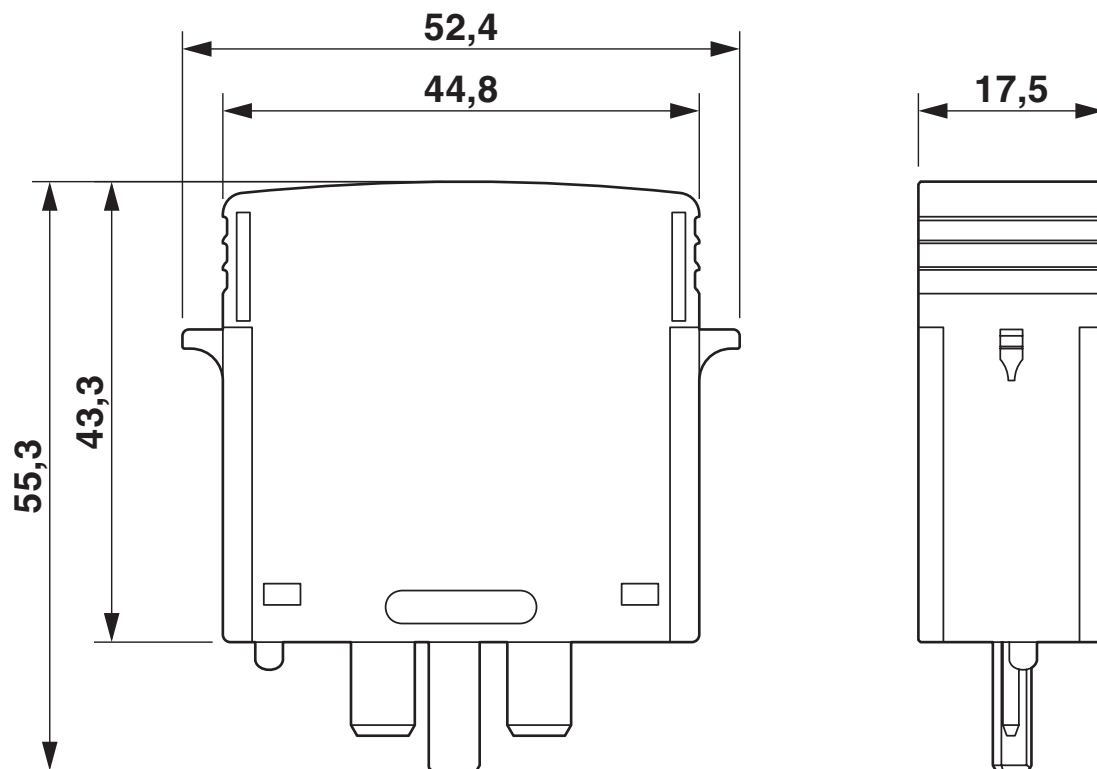


Drawings

Circuit diagram



Dimensional drawing



VAL-MS 500 ST - Type 2 surge protection plug



2807609

<https://www.phoenixcontact.com/pc/products/2807609>

Approvals

To download certificates, visit the product detail page: <https://www.phoenixcontact.com/pc/products/2807609>



cUL Recognized

Approval ID: FILE E 330181



UL Recognized

Approval ID: FILE E 330181



IECEE CB Scheme

Approval ID: AT 2905/M1



EAC

Approval ID: EAC-Zulassung

CCA

Approval ID: NTR-AT 1947-A



KEMA-KEUR

Approval ID: 71-113273 REV.1



DNV GL

Approval ID: TAE000041M



EAC

Approval ID: RU C-DE.*09.B.00169



CSA

Approval ID: 13631



ÖVE

Approval ID: 18583-001-17

UAE-RoHS

Approval ID: 22-09-51251

VAL-MS 500 ST - Type 2 surge protection plug

2807609

<https://www.phoenixcontact.com/pc/products/2807609>



cULus Recognized

VAL-MS 500 ST - Type 2 surge protection plug



2807609

<https://www.phoenixcontact.com/pc/products/2807609>

Classifications

ECLASS

ECLASS-11.0	27130890
ECLASS-13.0	27171292

ETIM

ETIM 9.0	EC002496
----------	----------

UNSPSC

UNSPSC 21.0	39121600
-------------	----------

VAL-MS 500 ST - Type 2 surge protection plug



2807609

<https://www.phoenixcontact.com/pc/products/2807609>

Environmental product compliance

China RoHS	Environmentally friendly use period: unlimited = EFUP-e
	No hazardous substances above threshold values

VAL-MS 500 ST - Type 2 surge protection plug

2807609

<https://www.phoenixcontact.com/pc/products/2807609>



Accessories

MPB 18/1-10/1.0.0 - Wiring bridge

2830443

<https://www.phoenixcontact.com/pc/products/2830443>



Wiring bridge for modules with connecting pitch 17.5 mm, 1-phase, 10 pitches with contact sequence 1-0-0

MPB 18/4- 8 - Wiring bridge

2809283

<https://www.phoenixcontact.com/pc/products/2809283>



Wiring bridge for modules with connecting pitch 17.5 mm, 4-phase, 8-pos.

VAL-MS 500 ST - Type 2 surge protection plug

2807609

<https://www.phoenixcontact.com/pc/products/2807609>

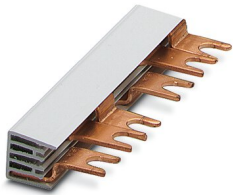


MPB 18/3- 6 - Wiring bridge

2809241

<https://www.phoenixcontact.com/pc/products/2809241>

Wiring bridge for modules with connecting pitch 17.5 mm, 3-phase, 6-pos.



MPB 18/1-57 - Wiring bridge

2809238

<https://www.phoenixcontact.com/pc/products/2809238>

Wiring bridge for modules with connecting pitch 17.5 mm, 1-phase, 57-pos.



VAL-MS 500 ST - Type 2 surge protection plug

2807609

<https://www.phoenixcontact.com/pc/products/2807609>

MPB 18/1-12 - Wiring bridge

2748593

<https://www.phoenixcontact.com/pc/products/2748593>



Wiring bridge for modules with connecting pitch 17.5 mm, 1-phase, 12-pos.

MPB 18/1- 9 - Wiring bridge

2748580

<https://www.phoenixcontact.com/pc/products/2748580>



Wiring bridge for modules with connecting pitch 17.5 mm, 1-phase, 9-pos.

VAL-MS 500 ST - Type 2 surge protection plug

2807609

<https://www.phoenixcontact.com/pc/products/2807609>

MPB 18/1- 8 - Wiring bridge

2748577

<https://www.phoenixcontact.com/pc/products/2748577>



Wiring bridge for modules with connecting pitch 17.5 mm, 1-phase, 8-pos.

MPB 18/1- 6 - Wiring bridge

2748564

<https://www.phoenixcontact.com/pc/products/2748564>



Wiring bridge for modules with connecting pitch 17.5 mm, 1-phase, 6-pos.

VAL-MS 500 ST - Type 2 surge protection plug

2807609

<https://www.phoenixcontact.com/pc/products/2807609>

MPB 18/1- 4 - Wiring bridge

2809225

<https://www.phoenixcontact.com/pc/products/2809225>

Wiring bridge for modules with connecting pitch 17.5 mm, 1-phase, 4-pos.



MPB 18/1- 3 - Wiring bridge

2809212

<https://www.phoenixcontact.com/pc/products/2809212>

Wiring bridge for modules with connecting pitch 17.5 mm, 1-phase, 3-pos.



VAL-MS 500 ST - Type 2 surge protection plug

2807609

<https://www.phoenixcontact.com/pc/products/2807609>



MPB 18/1- 2 - Wiring bridge

2809209

<https://www.phoenixcontact.com/pc/products/2809209>



Wiring bridge for modules with connecting pitch 17.5 mm, 1-phase, 2-pos.

ZBN 18,LGS:ERDE - Marker for terminal blocks

2749589

<https://www.phoenixcontact.com/pc/products/2749589>



Marker for terminal blocks, Strip, white, labeled, horizontal: Grounding symbol, mounting type: snapped, for terminal block width: 18 mm, lettering field size: 18 x 5 mm, Number of individual labels: 5

VAL-MS 500 ST - Type 2 surge protection plug

2807609

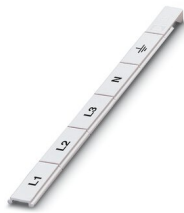
<https://www.phoenixcontact.com/pc/products/2807609>



ZBN 18,LGS:L1-N,ERDE - Marker for terminal blocks

2749576

<https://www.phoenixcontact.com/pc/products/2749576>



Marker for terminal blocks, Strip, white, labeled, horizontal: L1, L2, L3, N, GND, mounting type: snapped, for terminal block width: 18 mm, lettering field size: 18 x 5 mm, Number of individual labels: 5

ZBN 18:UNBEDRUCKT - Zack marker strip

2809128

<https://www.phoenixcontact.com/pc/products/2809128>



Zack marker strip, Strip, white, unlabeled, can be labeled with: CMS-P1-PLOTTER, PLOTMARK, mounting type: snapped, for terminal block width: 18 mm, lettering field size: 18 x 5 mm, Number of individual labels: 5

VAL-MS 500 ST - Type 2 surge protection plug

2807609

<https://www.phoenixcontact.com/pc/products/2807609>



VAL-MS BE - Type 2 surge protection base element

2817741

<https://www.phoenixcontact.com/pc/products/2817741>

Base element for type 2 arresters of the VALVETRAB MS series of products.
Design: 1-channel



VAL-MS BE/FM - Type 2 surge protection base element

2817738

<https://www.phoenixcontact.com/pc/products/2817738>

Base element for type 2 arresters of the VALVETRAB MS series of products,
with remote indication contact. Design: 1-channel



VAL-MS 500 ST - Type 2 surge protection plug

2807609

<https://www.phoenixcontact.com/pc/products/2807609>



B-STIFT - Marker pen

1051993

<https://www.phoenixcontact.com/pc/products/1051993>



Marker pen, for manual labeling of unprinted Zack strips, smear-proof and waterproof, line thickness 0.5 mm

Phoenix Contact 2023 © - all rights reserved

<https://www.phoenixcontact.com>

PHOENIX CONTACT GmbH & Co. KG

Flachsmarktstraße 8

D-32825 Blomberg

+49 (0) 5235-3 00

info@phoenixcontact.com