

# SACC-M12FR-5CON-PG11-M PWR - Power connector



1408993

<https://www.phoenixcontact.com/be/products/1408993>

Please be informed that the data shown in this PDF document is generated from our online catalog. Please find the complete data in the user documentation. Our general terms of use for downloads are valid.

Power connector, 5-position, Socket angled M12, coding: A, Screw connection, knurl material: Zinc die-cast, nickel-plated, cable gland Pg11, external cable diameter 8 mm ... 10 mm



## Your advantages

- Safe use in the field, thanks to a high degree of protection
- Screw connection: proven connection technology for a large selection of different conductors

## Commercial data

Item number	1408993
Packing unit	1 pc
Minimum order quantity	1 pc
Sales key	BF2CAA
Product key	BF2CAA
Catalog page	Page 22 (C-2-2019)
GTIN	4046356885133
Weight per piece (including packing)	29,81 g
Weight per piece (excluding packing)	29,81 g
Customs tariff number	85366990
Country of origin	DE

# SACC-M12FR-5CON-PG11-M PWR - Power connector



1408993

<https://www.phoenixcontact.com/be/products/1408993>

## Technical data

### Notes

General	Strip 22 mm off the cable sheath, shorten conductor for the fifth position by 10 mm. Strip 7 mm off the conductor insulation, crimp the ferrule, then shorten this to 5 mm. Length of conductors with shortened ferrule: 20 mm. Connect conductors and tighten the mounting screws with 0.2 Nm.
General	<b>NOTE:</b> Observe the permissible bending radii when laying conductors, since the degree of protection may be put in jeopardy if the bending forces are too high. Alleviate mechanical loads upstream of the connector, e.g. by using cable ties.

### Mounting

Assembly instructions	The connector pin assignment can be rotated 90° to the cable outlet
Connection method	Screw connection

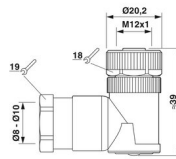
### Product properties

Product type	Circular connector (cable-side)
Number of positions	5
Application	Power supply
No. of cable outlets	1
Shielded	no
Coding	A
Cable outlet	angled
Pg screw connection	Pg11

### Insulation characteristics

Overvoltage category	II
Degree of pollution	3

### Dimensions

Dimensional drawing	
Length	39 mm

### External dimensions

Outside diameter	8 mm ... 10 mm
------------------	----------------

### Housing

Diameter housing	20.2 mm
------------------	---------

# SACC-M12FR-5CON-PG11-M PWR - Power connector



1408993

<https://www.phoenixcontact.com/be/products/1408993>

## Material specifications

Flammability rating according to UL 94	V0
Seal material	Viton
	NBR
Material of grip body	PA
Contact material	CuZn
Contact surface material	Ni/Au
Contact carrier material	PA
Material for screw connection	Zinc die-cast, nickel-plated

## Connection data

### Conductor connection

Connection method	Screw connection
Connection cross section	0.75 mm <sup>2</sup> ... 1.5 mm <sup>2</sup> (without ferrule)
	0.75 mm <sup>2</sup> ... 1.5 mm <sup>2</sup> (with ferrule)
	0.75 mm <sup>2</sup> ... 1.5 mm <sup>2</sup> (solid)
Connection cross section AWG	18 ... 16 (without ferrule)
	16 ... 18 (with ferrule)
Stripping length of the individual wire	5 mm
Tightening torque	0.4 Nm (M12 knurl)
	1.5 Nm ... 2 Nm (Pressure screw with sleeve housing)
	0.4 Nm (Screw plug insert with sleeve housing as far it will go)
	0.2 Nm (Screw terminal blocks)

## Electrical properties

Rated surge voltage	0.8 kV
Contact resistance	≤ 3 mΩ
Insulation resistance	> 10 GΩ
Nominal voltage U <sub>N</sub>	48 V AC
	60 V DC
Nominal current I <sub>N</sub>	8 A (Contact 5: 2 A)
	when using 1.5 mm <sup>2</sup> conductors

## Mechanical properties

### Mechanical data

Insertion/withdrawal cycles	> 100
-----------------------------	-------

## Connector

### Connection 1

Head design	Socket
Head cable outlet	angled
Head thread type	M12

# SACC-M12FR-5CON-PG11-M PWR - Power connector



1408993

<https://www.phoenixcontact.com/be/products/1408993>

Coding	A
--------	---

## Cable/line

Stripping length of the individual wire	5 mm
---	------

## Environmental and real-life conditions

### Ambient conditions

Degree of protection	IP67
Ambient temperature (operation)	-40 °C ... 85 °C (Plug / socket)

## Standards and regulations

Standard designation	M12 connector
Standards/specifications	IEC 61076-2-101

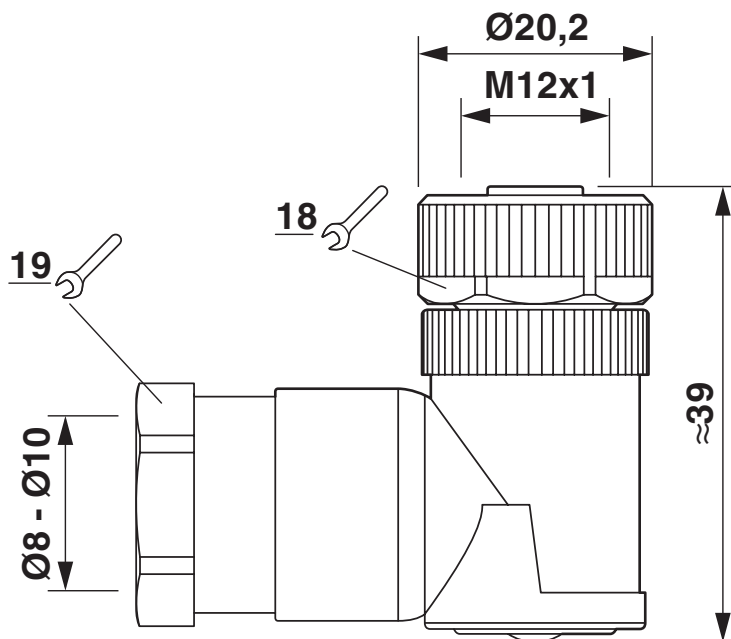
# SACC-M12FR-5CON-PG11-M PWR - Power connector

1408993

<https://www.phoenixcontact.com/be/products/1408993>

## Drawings

Dimensional drawing



M12 x 1 socket, straight

# SACC-M12FR-5CON-PG11-M PWR - Power connector

1408993

<https://www.phoenixcontact.com/be/products/1408993>

Schematic diagram



Pin assignment M12 socket, 5-pos., A-coded, socket side view

# SACC-M12FR-5CON-PG11-M PWR - Power connector





1408993

<https://www.phoenixcontact.com/be/products/1408993>

## Approvals

To download certificates, visit the product detail page: <https://www.phoenixcontact.com/be/products/1408993>

 <b>cUL Recognized</b> Approval ID: FILE E 221474				
	Nominal voltage $U_N$	Nominal current $I_N$	Cross section AWG	Cross section $\text{mm}^2$
	60 V	4 A	-	-

 <b>UL Recognized</b> Approval ID: FILE E 221474				
	Nominal voltage $U_N$	Nominal current $I_N$	Cross section AWG	Cross section $\text{mm}^2$
	60 V	4 A	-	-

**cULus Recognized**

# SACC-M12FR-5CON-PG11-M PWR - Power connector



1408993

<https://www.phoenixcontact.com/be/products/1408993>

## Classifications

### ECLASS

ECLASS-11.0	27440102
ECLASS-12.0	27440116
ECLASS-13.0	27440116

### ETIM

ETIM 9.0	EC002635
----------	----------

### UNSPSC

UNSPSC 21.0	39121400
-------------	----------



# SACC-M12FR-5CON-PG11-M PWR - Power connector



1408993

<https://www.phoenixcontact.com/be/products/1408993>

## Environmental product compliance

REACH SVHC	Lead 7439-92-1
China RoHS	Environmentally Friendly Use Period = 50 years
	For information on hazardous substances, refer to the manufacturer's declaration available under "Downloads"

# SACC-M12FR-5CON-PG11-M PWR - Power connector



1408993

<https://www.phoenixcontact.com/be/products/1408993>

## Accessories

### PROT-M12 MS-PA-CHAIN - Screw plug

1430899

<https://www.phoenixcontact.com/be/products/1430899>

M12 sealing cap with fixing band, for sensor cables, for free M12 sockets



---

### A 1,5 - 7 - Ferrule

3200263

<https://www.phoenixcontact.com/be/products/3200263>

Ferrule, color: silver



# SACC-M12FR-5CON-PG11-M PWR - Power connector



1408993

<https://www.phoenixcontact.com/be/products/1408993>

## TSD 04 SAC - Torque screwdriver

1208429

<https://www.phoenixcontact.com/be/products/1208429>



Torque screwdriver, with preset torque of 0.4 Nm and 4 mm hexagonal drive for M12 connectors

---

## TSD-M 1,2NM - Torque screwdriver

1212224

<https://www.phoenixcontact.com/be/products/1212224>



Torque screw driver, accuracy as per EN ISO 6789 standard, adjustable from 0.3 - 1.2 Nm

# SACC-M12FR-5CON-PG11-M PWR - Power connector



1408993

<https://www.phoenixcontact.com/be/products/1408993>

## TSD-M SAC-BIT ADAPTER - Adapter insert

1212600

<https://www.phoenixcontact.com/be/products/1212600>



Adapter bit for TSD-M...torque tools, E6.3-1/4" drive with 4 mm hexagon to accommodate SAC bits

---

## SACC BIT M12-D20 - Tool

1208445

<https://www.phoenixcontact.com/be/products/1208445>



Nut for assembling M12 connectors for assembly with a knurl diameter of 20 mm, for 4 mm hexagonal drive

# SACC-M12FR-5CON-PG11-M PWR - Power connector



1408993

<https://www.phoenixcontact.com/be/products/1408993>

## WIREFOX 6SC - Stripping tool

1212158

<https://www.phoenixcontact.com/be/products/1212158>



Stripping tool, for cables and conductors (especially for cables protected against short circuits and ground leakages) 1.5 - 6 mm<sup>2</sup>, self-adjusting, stripping length of up to 18 mm, cutting capacity of up to 10 mm<sup>2</sup> stranded/1.5 mm<sup>2</sup> solid, replaceable stripping blade

---

## CRIMPFOX 6H - Crimping pliers

1212046

<https://www.phoenixcontact.com/be/products/1212046>



Crimping pliers, for ferrules without insulating collar according to DIN 46228 Part 1 and ferrules with insulating collar according to DIN 46228 Part 4, 0.14 mm<sup>2</sup> ... 6 mm<sup>2</sup>, unlockable pressure lock, lateral entry

# SACC-M12FR-5CON-PG11-M PWR - Power connector



1408993

<https://www.phoenixcontact.com/be/products/1408993>

## SZF 1-0,6X3,5 - Screwdriver

1204517

<https://www.phoenixcontact.com/be/products/1204517>



Actuation tool, for ST terminal blocks, also suitable for use as a bladed screwdriver, size: 0.6 x 3.5 x 100 mm, 2-component grip, with non-slip grip

---

Phoenix Contact 2023 © - all rights reserved

<https://www.phoenixcontact.com>

PHOENIX CONTACT nv/sa  
Minervastraat 10-12  
1930 Zaventem-Keiberg II  
+32 (0)2/723 98 11  
[info@phoenixcontact.be](mailto:info@phoenixcontact.be)